

Combine

New & Featured Items

Grain Tester

Specifications:

- Fill Technique: Scoop or fast fill from auger
- Repeatability: +/- .5% Depending on grain (normal stored grain)
- Grain Temperature Compensation: Automatic
- Resolution: .1% moisture
- Display: Graphic LCD
- Power: One 9V alkaline battery
- Warranty: One Year
- Weight: 1 lb. 6 oz



Part #	Description	Price \$
M3G	3 Grain Tester	199.95

Minigac1P

- Menu-driven operating system
- An internal scale (no pre-weighing)
- Over 450 grains and products
- Auto temperature compensation
- Measures test weight
- 1 year manufacturer's warranty
- Carrying case and belt clip
- 9V Battery



Part #	Price \$
MINIGAC1P	629.95

MOST POPULAR AUGER ELBOW!

Part #	Application	Price \$
248308AH	1420-1482, 1620-1688, 2144-2188, 2344-2388	553.80



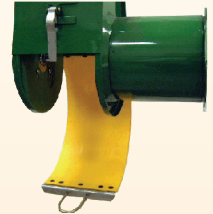
Cleaning Fan Shafts and Hubs



Part #	Application	Price \$
185286CH	1420-1480, 1620-1680, 2188-2388 - hub assembly	101.25
1309015CH	1480 (24852 up), 1680 cleaning fan shaft	272.15
191923CH	1480 (to 14000) - shaft	107.15
183445CH	1440 (1501-10000), 1640 (1501-12000) - shaft	115.65
1309016CH	1440 (10001 up), 1460 (12001 up), 1640, 1660 cleaning fan shaft	185.37

Poly Clean Out Door

Fits John Deere Applications
Made of 1/4" Yellow Poly
All hardware is included and no modifications are needed.



Part #	Application	Price \$
AH129357HP	9400 9500 9410 9510 Maximizer	86.95
AH138426HP	9450SP 9550SP 9650CTS 9650STS 9750STS	114.95
AH129358HP	9600 9610 Maximizer	102.95

Feeder House Reverser Motor



Part #	Application	Price \$
17308L	Case-IH 1620-2388	368.00

FEATURED CORNHEAD ITEMS!

Rubber Ear Savers



Made in USA from New Nylon Reinforced Rubber Stock, not from Old Tires!

Part #	Application	Price \$
199097CH	IH 800-900-1000	2.99
N101988H	JD 40 Series	2.99

Stalk Roll Knife



Part #	Application	Price \$
86977538H	IH 2200 Series - Needs Four per Row	49.95

Gathering Chains



Fits all John Deere 40 Series and International Harvester 800 Series, 900 Series and 1000 Series

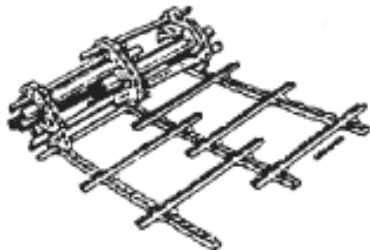
Part #	Price \$
AN102009H	26.95

Allis Chalmers - Gleaner

FEEDER HOUSE

Feeder Chains

More Applications & Raddle Chains Available



- Made in North America
- Heavy duty construction
- Bolted, not riveted
- Weight is in lbs.

Part #	Application	Chain Size	Links	Center to Center on Sprockets	Wt.	\$
71149911H	N&R Series, R60, R70, Rear Separator, Slat every 2nd and 4th link	CA550	76	15 3/4"	120	602.98
71149915H	N&R Series, R60, R70, Front feeder, Slat every 2nd and 4th link	CA550	84	15 3/4"	142	884.94
71149917H	R40, 50, 42, 45000, 152 ↓ 55000 Front feeder, slat every 6th link	CA550	85	15 3/4"	94	684.35
71149958H	R62, R72 Front feeder, slat every and 4th link	CA557	97	15 5/8"	160	941.49
71149960H	R62 ↓ 63000, R42 ↓ 73000 Rear Separator, slat every and 4th link	CA557	89	15 5/8"	185	903.50
71149940H	R40, 50, R42, 52 Rear Sep. slat 6th link	CA550	86	15 3/4"	100	513.95

THRESHING

Cylinder Bars

Heat Hardened Chrome Bar

Part #	Model	Wt.	Description	Price \$
KGL92C	M & C Series	195 lbs.	Heavy high tooth Hardened 8 bar set	CALL
KGF92C	F Series	160 lbs.	Heavy high tooth Hardened 8 bar set	CALL
KGL45C	L Series	215 lbs.	Heavy high tooth Hardened 8 bar set	CALL
KGN153C	N & R Series	90 lbs.	Thresher Cylinder-Angle-Long 6 Holes	CALL
KGG91C	G Series	210lbs.	Heavy high tooth Hardened 8 bar set	CALL
KGN2540	N & R Series	60 lbs.	Separator Cylinder-Angle-Short, 6L & 2R	CALL

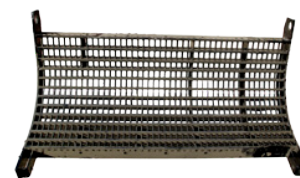
Standard Bar

Part #	Model	Wt.	Description	Price \$
KGL92H	M & C Series	195 lbs.	Heavy high tooth Hardened 8 bar set	1,001.16
KGN254H	N & R Series	60 lbs.	Separator Cylinder-Angle-Short, 6L & 2R	398.39
KGN153H	N & R Series	90 lbs.	Thresher Cylinder-Angle-Long 6 Holes	499.78
KGL45H	L Series	215 lbs.	Heavy high tooth Hardened 8 bar set	CALL
KGG91	G Series	210lbs.	Heavy high tooth Hardened 8 bar set	914.73
KGF92	F Series	160 lbs.	Heavy high tooth Hardened 8 bar set	792.95

THRESHING

Concaves

- Exceeds OEM specs
- Made in USA
- Hi strength wear resistant



Part #	Application	Description	Price \$
KCM2	M, M2, M3	Open Grate	777.95
KCL2	L2, L, L3	Open Grate	1010.95

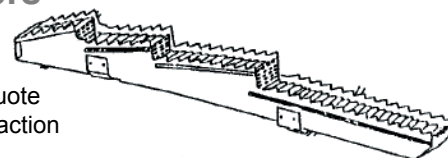
GRAIN HANDLING

Sieves



Part #	Application	Price \$
71308754LFH	M3, M2 after 22101 - Long Shoe	628.95
71152658LFH	L, L2, up to 19501 - Short Shoe	722.50
71323677H	N5, N6, N7, R6, R7, R42, R52, R60, R62 R70, R72 - Short Shoe	706.88
71155020H	M, M2, up to 22101 - Short Shoe	597.49
71330728H	R40, R50 - Short Shoe	577.25
71320090H	L3, L2 after 19501 - Long Shoe	670.25

Straw Walkers



Require Freight Quote
OEM Quality at a fraction of the price!

Part #	Description	Price \$
1315196H	Fits F, F2 Ser #39200	404.95
1132348H	Fits F, F2 and F3 Ser #39200	284.95
1171501H	Fits L, L2, L3	346.95
1155014H	Fits M, M2, M3	362.95

Straw Walker Grating



Why replace your entire Straw Walker if only your grates are bad?

Part #	Application	Length	Price \$
AL8021	M Rear grating	4'	75.99
AL8022	M Front grating	1'	19.95
AL8024	L Front grating	1'	19.10
AL8023	L Rear grating	4'	75.95
AL8020	F	4'	73.00

Our Grates are 4' long and weigh approx. 5 lbs.

Don't see what you're looking for?

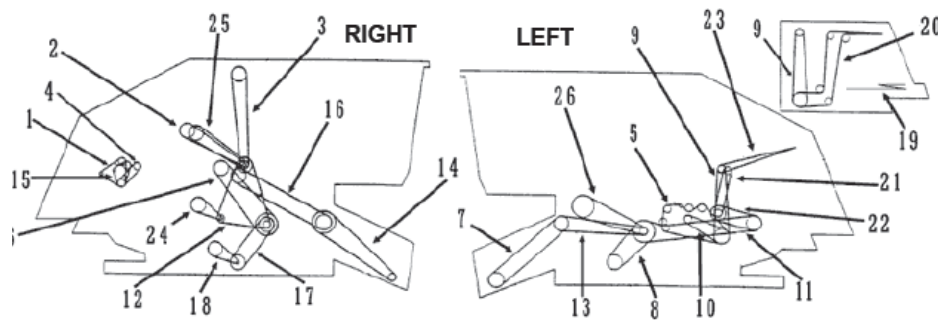
CALL US!

We can most likely find the parts you need!

Allis Chalmers - Gleaner

BELTS

Gleaner - N5, N6, N7, R5, R6, R7



Part #	Ref #	FITS	Description	Price \$
71311927HG	1	N5(S/N 4501),N6(S/N 5101)	Alternator, Standard	14.38
71306200HG	1	N5(S/N 4501),N6(S/N 5101)	Alternator, Hvy Duty	13.87
71186454HG	1	N5(4501-5400),N6 (5105-6200)	Alternator, 110 Amp	10.45
71336137HG	1	N5(S/N 5401),N6(S/N 6201)	Alternator, 105 Amp	11.78
71175687HG	1	N7	Alternator, Standard 105 Amp	9.97
71175687HG	1	R7	Alternator (Set)	9.97
71312339HG	2	N5, N6 (1501 up), N7, R5, R6, R7	Cage Sweep	13.74
71301877HG	2	N6 (to1501)	Cage Sweep	14.87
71325847HG	3	N5, N6, N7, R5, R6, R7	Clean Grain Elevator	39.43
71193420HG	4	N5, N6, R5, R6	Compressor Drive	7.62
71315910HG	4	N7, R7	Compressor Drive	8.61
71322418HG	5	N5 (1702 up), N6 (2371 up), N7 (1262 up)	Impeller Drive	13.17
71313804HG	5	N5, N6, N7	Impeller Drive	18.62
71358134HG	5	R5, R6, R7	Impeller Drive	10.25
71319657HG	6	N5, N6, N7, R5, R6, R7	Cylinder Auger Drive	35.81
71364789HG	7	N5, N6, N7, R5, R6, R7	Cylinder Drive	239.85
71197876HG	8	N5 (to 4501), N6 (to5101), N7 (to 2501)	Header Drive, Var-Speed	151.87
71316268HG	8	N5 (4501 up), N6 (5101 up), N7 (2501 up), R5,R6,R7	Header Drive, Var-Speed	123.04
71301859HG	8	N5 (to 4501), N6 (to 5101), N7 (to 2501)	Header Drive, Constant Speed	49.24
71320449HG	8	N5 (4501 up), N6 (5101 up), N7 (2501 up)	Header Drive, Constant Speed	44.31
71310381HG	9	N7	Hydro Drive	98.94
71342143HG	9	R7	Hydro Drive	78.31
71197999HG	9	N5, N6, R5, R6	Hydro Drive	64.52
71313804HG	10	N5(1702 up), N6(2371 up), N7(1262 up), R5,R6,R7	Jackshaft Drive, Impeller	18.62
71336997HG	11	N5, N6 (5101 up)	Main Drive	121.19
71314273HG	11	N6 (to 5101)	Main Drive	133.59
71307200HG	11	N7	Main Drive	174.10
71309685HG	12	N5 (To 4501), N6 (To 5101), N7 (To 2501)	Overfeed Auger Drive	61.49
71325150HG	12	N5 (4501 up),N6 (5101 up),N7 (2501 up)	Overfeed Auger Drive	44.31
71310382HG	13	N5, N6, N7, R5, R6, R7	Pivot Drive, Lh	49.43
71316263HG	14	N5 (4501 up), N6 (5101 up), N7 (2501 up), R5,R6,R7	Pivot Shaft Drive	64.72
71309150HG	14	N5 (to 4501),N6 (to 5101),N7 (to 72501)	Pivot Shaft Drive	53.77
71302482HG	15	N5, N6, R5, R6	Radiator Fan	11.89
71326830HG	16	N5, N6, N7, R5, R6, R7	Rear Feed Conveyor	37.21
71339886HG	17	N5, N6, N7, R5, R6, R	Separator Fan Drive	20.18
71336307HG	18	N5, N6, N7, R5, R6, R7	Shoe Drive	15.12
71347561HG	19	R5, R6, R7	Spreader	21.60
71347560HG	20	R5,R6,R7 (all w/o Chopper)	Spreader Jackshaft Drive	40.95
71358486HG	21	N5, N6, N7, R5, R6, R7	Straw Chopper Drive	15.22
71344935HG	22	N5, N6, N7, R5, R6, R7	Straw Chopper, Jackshaft	20.51
71326253HG	23	N5, N6, N7, R5, R6, R7	Straw Spreader Drive	31.46
71334919HG	23	N5, N6, N7, R7	Spreader Drive, Rear Hood	22.74
71346200HG	24	N5, N6, N7, R5, R6, R7	Tailings Drive	15.09
71337000HG	25	N5, N6, N7, R5, R6, R7	Tailings Return	19.12
71310380HG	26	N5, N6, N7, R5, R6, R7	Unloader Drive, Lh	30.50
71177795HG	-	N5 (to3001), N6 (to 3501), N7 (to 1701)	Unloader Drive, Rh	CALL
71324690HG	-	N6	Sickle Drive Belt	CALL

Belts are also available for other models, call for a price quote.

Allis Chalmers - Gleaner

GRAIN HANDLING

Chopper Knife Kits

- All kits contain hardware and bushings
- Made in U.S.A.
- Heat treated and tungsten coated to exceed OEM!
- Free Freight in quantities of 4 or more. Individual Kit wt avg. 4 lb.



Part #	OEM #	Application	Qty.	L	W	Price \$
71355851H	71355851	AC F Ser #36200	3			CALL
SCTK110	71174897	AC Stationary Tooth Any of Above	1			7.25
SCKK100	71310275	AC, MF, New Holland, White	3	6-7/16	4-5/8	17.69
71310274H	71310274	ACF & K ↓ SN36000, G, White 7800-8800 ↓ SN 7400	3	7-1/8	3-7/16	14.50
713558518H	71355851-8	AC-N5, N6, N7, R5, R6, R7, R40, R50, R60, R70, R42, R52, R62, R72	3	8-1/2	4-3/4	CALL

Clean Grain Elevator Chains

Part #	Application	Links	Paddle Size	Wt.	Price \$
71149517H	L & M Series Standard Housing	160	5 1/2" x 3 7/8"	52	275.86
71149583H	L & M Series w/High output Housing	160	7" x 3 3/4"	59	322.97
71149384H	C, C2, F & G Series, K2	165	4 3/4" x 3"	51	319.97

Clean Grain Elevator Sprockets

Lower

Part #	Application	Shaft Size	No. of Teeth	Price \$
71147756H	C, C2, F & G Series, K2	1.0	8	21.20
71147756H*	L & M Series w/High output Housing N5, 6, 7, R5, 6, 7, R60, R70	1.0	8	21.20
71147756H	L & M Series Standard Housing	1.0	8	21.20

*Call w/shaft size & number of teeth

Upper

Part #	Application	Shaft Size	No. of Teeth	Price \$
71132829H	C, C2, F & G Series, K2	.875	8	25.74
71147756H	L & M Series Standard Housing	1.0	8	21.20
71147756H*	L & M Series w/High output Housing N5, 6, 7, R5, 6, 7, R60, R70	1.0	8	21.20

*Call w/shaft size & number of teeth

Return Elevator Sprockets

Lower

Part #	Application	Shaft Size	No. of Teeth	Price \$
71104079H	C, C2, F & G Series, K2	.875	8	CALL
71147756H	L & M Series w/High output Housing N5, 6, 7, R5, 6, 7, R60, R70—most common used	1.0	8	21.20
71147756H	L & M Series Standard Housing	1.0	8	21.20

*Call w/shaft size & number of teeth

Upper

Part #	Application	Shaft Size	# Teeth	Price \$
71147756H	L & M Series w/High output Housing N5, 6, 7, R5, 6, 7, R60, R70—most common used	1.0	8	21.20
71126055H	C, C2, F & G Series, K2	1.84	8	33.32
71147756H	L & M Series Standard Housing	1.0	8	21.20

Auger Elbow

Part #	Application	Price \$
71373910H	L (26001 up), M (24701 up), L2, M2 N5 (4501 up), N6 (5101 up), N7, R40 R50, Early R60 and R70	950.59



PLATFORM

Combine Sickle Sections

Type Key
 US = Under Serrated
 TS = Top Serrated
 C = Chrome
 R = Regular Gauge
 H = Heavy 12 Gauge



Part #	Application	OEM #	Type	Wt.	Price \$
S204279	A,C,E,R,T,G,F,K	1186740	TS-H	.2 lb	1.13
S204553	A,C,E,R,T,G,F,K	1122784	TS-R-C	.2 lb	1.20
S204285	A,C,E,R,T,G,F,K	1348175	TS-H-C	.2 lb	1.12

Combine Guards

Part #	Application	Price \$
MCM225	Double Point Guard, for all Non-Floating Platforms	8.14

Poly Bean Head Snoots

Part #	Application	Price \$
AC300PS	AC 300, 500, 800 - 8000 Series	1,100.00



CORN HEAD

Gathering Chains



ROLLER TYPE CHAIN fits original sprockets perfectly and gives more efficient operations and longer life. Each chain completely assembled, ready to use.

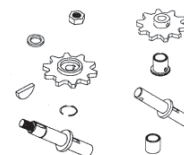
Part #	Avg. Wt.	Description	Price \$
1505705H	8	1990 All Hugger Heads	CALL
574793H	8	1977-89 Low Profile	60.75
573640H	8	1973-76 Low Profile	64.95



Lower Idler Sprockets

Part #	Application	Avg. Wt.	Price \$
70595084H	All Black Heads 5/8 bore 1977-1989	2 lbs.	21.53
71359125H	All Hugger Heads	2 lbs.	23.26

Corn Gathering Chain Drive Sprockets



Part #	Application	Avg. Wt.	Price \$
71369591H	Hugger Heads	2	29.97
70577247H	Quick switch 1975-76	2	22.95

Corn Head Flutes

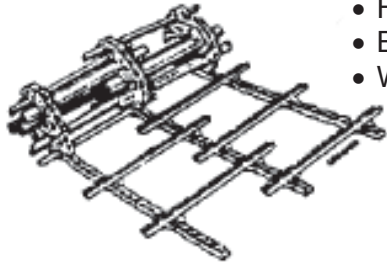


Part #	Application	Wt.	Price \$
71351081H	AC Hugger Heads 1988 to present Flute	3	15.95
70586591	AC Black Heads 1977 to present Flute	3	CALL

Case - IH

FEEDERHOUSE

Feeder Chains



- Made in North America
- Heavy duty construction
- Bolted, not riveted
- Weight is in lbs.

Part #	Application	Chain # Size Links	Center - Center on Sprock- ets	Wt.	Price \$
175994CH	915 ↑ Ser #8001 24" Slat every 2nd link	CA550 101	18 3/16"	225	681.21
117871AH	1420, 1460, 1620, 1660, 1644, 1666, 2144, 2166, 2366 54" feeder, 1/4" smooth slats every 6th link chrome pins	CA557 69	27 3/16"	103	495.40
117869AH	1420, 1460, 1620, 1660, 1644, 1666, 2144, 2166, 2366 47" feeder, 1/4" smooth slats every 6th link chrome pins	CA557 60	27 3/16"	90	495.40
136439AH	1420, 1460, 1620, 1660, 1644, 1666, 2144, 2166, 2366 60" feeder, 1/4" smooth slats every 6th link chrome pins	CA557 76	27 3/16"	112	553.95
117872AH	80 & 88 Series 54" feeder, 1/4" smooth slats every 6th link chrome pins	CA557 69	36 1/2"	125	532.37
195668AH	80 & 88 Series 60" feeder, 1/4" smooth slats every 2nd & 4th link chrome pins	CA557 75	18 3/16"	160	954.05
136440AH	80 & 88 Series 60" feeder, 1/4" smooth slats every 6th link chrome pins	CA557 76	36 3/8"	137	533.53
195664AH	80 & 88 Series 54" feeder, 1/4" smooth slats every 4th link chrome pins	CA557 69	18 3/16"	132	706.12

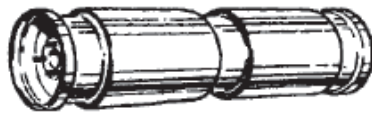
Feeder Chain Sprockets

Part #	Wt.	Description	Price \$
1970248CH	3 lbs.	715 to 1680 9 teeth 1.5" Hex.	82.04



Replacement Conveyor Drums

The end hub plates are made of heavier steel than the original drums furnished with combine. All drums can go U.P.S.



Part #	New Item	Wt.	Price \$
1957439CH	1440, 60, 1640, 60 Rock drums	92	675.95
SPT1680	1480-2188 includes Sprocket Tube & Stripper Kit	49	535.95

Bottom Replacement Sheets

Part #	Application	Wt.	Price \$
1324572CH	1480, 1680, 1688-2388 ALL W/ 54 .5" FDRHS.	115	465.95
1324574CH	1680, 1688, 2188, 2388 ALL W/ 60" FDRHS.	126	492.95
1324576CH	1420-1460, 1620-1660, 1666 ALL W/ 47" FDRHS.	80	361.00
1324578CH	1620, 1440-1660, 1666-2366 ALL W 54 .5" FDRHS.	90	350.75

Feeder House Reverser Motor

Part #	Application	Price \$
17308L	1620-2388	368.00



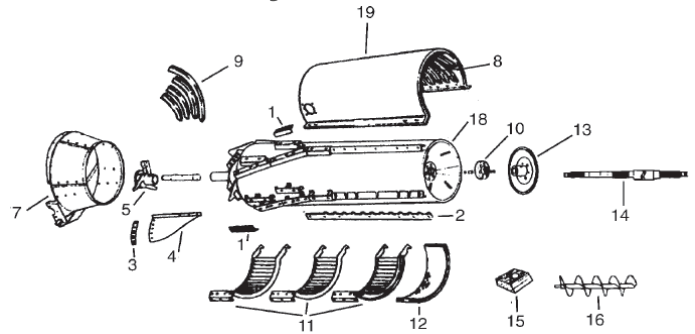
Front Header Drive Shaft



Part #	Wt.	Description	Price \$
176571CH	38 lb.	Feeder Drive Shaft 715-1660 Combine	98.80
1319482CH	38 lb.	Feeder Cross Jackshaft, Fits 1640, 1660, 1644, 1666, 2144 ↓ 173150, 2166 ↓ SN 182025	CALL

THRESHING

Case - IH Rotary Combine



Part #	Ref	Wt	Description	Price \$
K1420	1	60	1420, 1620 - 8 helical, 8 flat	322.47
K214	1	94	1460, 1440, 1660, 1640 - 12 helical, 9 flat	CALL
K1480	1	122	1480, 1680 - 16 helical, 12 flat	534.75
K1420C	1	60	1420, 1620 - Chrome 8 helical, 8 flat	474.75
K1440C	1	94	1440, 1460, 1640, 1660 - Chrome 12 helical, 8 flat	493.85
K1480C	1	122	1480, 1680 - Chrome 16 helical, 12 flat	647.25
1309175CH	1	3	1440 thru 2388 - Hardened bar with spike	14.15
1309336CH	1	3	1440 thru 2388 - Hardened bar no spike	10.55
1968743CH	1	3	1440 thru 2388 - Chrome Alloy no spike	18.95
1968970CH	1	3	1440 thru 2388 - Chrome Alloy w/spike	CALL
1302103CH	2	5	All Axial Flows	40.45
	3		Wear Bar Kits w/hardware (Wear bar section)	
1957445CH	4	138	1480, 1680 - Elephant Ear Kit	372.25
1957446CH	4	80	1440, 1460, 1640, 1660 - Elephant Ear Kit	615.95
1957447CH	4	45	1420, 1620 - Elephant Ear Kit	CALL
193282C91	6	5	All 20, 40, 60, 80 Series - Front Support Bearing	49.95
365928AH	7	Truck	1440-2366 - Heavy Duty Rotor Cone	1,370.25
300367AH	7	Truck	1440-2366 - Standard Rotor Cone	1,562.50
CPVK1480	8	31	1480, 1680 - Vane Sets for cage area	179.95
CPVK1420	8	15	1420 - Vane Sets for cage area	249.36
CPVK1460	8	29	1440, 1460, 1640 - Vane Sets for cage area	CALL
1480TVKT	9	14	1480, 1680 - Vane Set for Transition Cone	169.75
1440TVKT	9	11	1440, 1460, 1640, 1660 - Vane Set for Transition Cone	158.95
1420TVKT	9	9	1420, 1620 - Vane Set for Transition Cone	197.95
KC1440	11	83	1440, 1460, 1640, 1660 - Concaves - Set of 3	1,020.29
KC1480	11	100	1480, 1680 - Concaves - Set of 3	1,575.95
KS1480	12	64	1480, 1680 1688 - Keystock Grates (Set of 3)	648.50
KS1440	12	93	1440, 1460, 1640, 1660, 1644, 1666 - Keystock Grates (Set of 3)	708.95
KSG1480	12	83	1480, 1680 - Standard Grate w/bolt on cross plates (Set of 3)	648.95
KSG1440	12	71	1440, 1640, 1460, 1660 - Standard Grate w/bolt on cross plates (Set of 3)	662.95
193622CH	13	58	1420 thru 1480, 1640 (below SN 24223), 1660 (below SN 26771) - Variable Rotor Pulley	422.17
1308505CH	14	60	1420 thru 1480, 1640 (below SN 24223), 1660 (below SN 26771) - Rotor Drive Shaft	CALL
193414CH	15	1	Supply Auger Wood Bearing Block	9.50
193398CH	16	25	Right Hand Shoe Delivery Auger - 7/8 Hex Shaft	125.77
1308541CH	16	25	Right Hand Shoe Delivery Auger - 1 1/8 Hex Shaft	166.61
156816CH	17	1	Roller Bearing - 1 1/8 Hex	19.95
195293CH	17	1	Roller Bearing - 7/8 Hex	15.84
191842CH	19	95	1440, 1460 - Left hand Vane Cage less Vane bars	765.33
191271CH	19	82	1440, 1460 - Right hand Vane Cage less Vane bars	565.90

CYLINDER BARS

Specialty Rotor Rasp Bars

Replacement Bar

Models 1420-1480, 1620-1680, 1644-1688, 2144-2188, 2344-2388

Part #	Avg. Wt.	Description	Price \$
1309175CH	3 lbs.	Hardened bar with spike	14.15
1309336CH	3 lbs.	Hardened bar no spike	10.55
1968743CH	3 lbs.	Chrome Alloy no spike	18.95
1968970CH	3 lbs.	Chrome Alloy w/spike	CALL

Case - IH

THRESHING CYLINDER BARS

Chrome Bar

Part #	Model	Wt.	Description	Price \$
K12017	403, 715, 815	57 lbs.	Flat Ser #8000 ↓ set of 8	307.95
K12018	503, 915	71 lbs.	Flat through 1973 Ser #8000 ↓ set of 8	259.15
K12057C	815	77 lbs.	Angle Ser #8001 ↑ set of 8	CALL
K12058C	915	96 lbs.	Angle-Ser #8001 ↑ set of 8	CALL
K1480C	1480-2388	122 lbs.	16 Helical & 12 Flat* Hardened or Chrome	647.25
K1440C	1440-2366	94 lbs.	12 Helical & 9 Flat * Hardened or Chrome	493.85
K1420C	1420, 1620	60 lbs.	8 Helical & 8 Flat *	474.75

*(Rice & Straight Bars also Available)

Standard Bar

Part #	Model	Wt.	Description	Price \$
K1440	1440-2366	94.	12 Helical & 9 Flat * Hardened or Chrome	369.90
K12017	403, 715, 815	57	Flat Ser #8000 ↓ set of 8	307.95
K12018	503, 915	71	Flat through 1973 Ser #8000 ↓ set of 8	259.15
K12057	815	77	Angle Ser #8001 ↑ set of 8	252.42
K1420	1420, 1620	60	8 Helical & 8 Flat *	322.47
K1480	1480-2388	122	16 Helical & 12 Flat* Hardened or Chrome	534.75
K12058	915	96	Angle-Ser #8001 ↑ set of 8	299.95

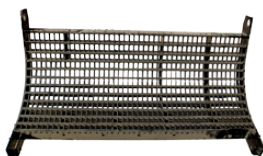
Blade Kits Elephant Ears

Blade Kits are manufactured of abrasive resistant steel for longer wear. High strength, grade 8 hardware included. Blade Kits/Elephant Ears



Part #	Application	Wt.	Price \$
1957445CH	1480, 1680	138	372.25
1957446CH	1440, 1460, 1640, 1660	80	615.95
1957447CH	1420, 1620	45	CALL

Concaves



Part #	Application	Description	Price \$
KC915	915 Low Profile	Ser #8000 ↑	CALL
KC1440	1440, 1460, 1640, 1660, 1644, 1666, 2144, 2344, 2166, 2366		1,020.29
KC815	815 Low Profile	Ser #8000 ↑	CALL
KC715	403, 715, 815 High Profile	Ser #8000 ↓	456.52
KC1480	1480, 1680, 1688, 2188, 2388		1,575.95

Extensions

Part #	Application	Desc.	Price \$
KCE1660	1640, 1660, 1644, 1666, 2144, 2166	75	471.95
KCE1680	1680, 1688, 2188	75	771.95

Keystock Grates

*Individual concaves or partial sets available on request
**plates available for \$75.00

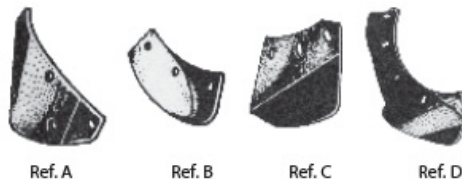
Part #	Application	Price \$
KS1480	1480, 1680 1688 (Set of 3)	648.50
KS1440	1440, 1460, 1640, 1660, 1644, 1666 (Set of 3)	708.95
KS1420	1420, 1620 (Set of 3)	643.32

Rotor Transition Cones

Part #	Application	Price \$
1317778CHD	1480, 1680 Heavy Duty Full 1/4 in. Thick	CALL
1317770CH	1440, 1460, 1640, 1660	CALL
1317770CHD	1440, 1460, 1640, 1660 Heavy Duty Full 1/4 in. Thick	CALL
1317778CH	1480, 1680 3/16 Thick	CALL



Wear Bars



Part #	Model Application	Wt.	Bars Needed	Price \$
KWB1420H	1420, 1620, Hardened	14	2	206.95
KWB1440C	1440, 1460, 1640, 1660, Chromed	20	3	206.95
KWB1420C	1420, 1620, Chromed	14	2	206.95
KWB1440H	1440, 1460, 1640, 1660, Hardened	20	3	129.50
KWB1480C	1480, 1680, Chromed (available in pairs)	32	4	142.95
KWB1480H	1480, 1680, Hardened (available in pairs)	32	4	107.50

GRAIN HANDLING

Combine Grain Pans

Replacement Grain Pan Material
Weigh approx. 15 lbs.

Part #	Application	Price \$
175078CH	915 Late 2 pc.	167.33
158046CH	815 Early 1 pc.	316.88
158047CH	915 Early 1 pc.	395.22
175069CH	815 Late 2 pc.	151.92

Sieves



Part #	Application	Price \$
1330681CH	1420, 1620	404.98
1957314CH	1640 to 2366 - Long cleaning system	938.30
1330689CH	1480, 1680, 1482, 1682	1,045.60
1322659CH	1680 & 1682, 1688, 2188-2588, 5088-7088	1,350.82
1330686CH	915NS, 1440, 1640, 1640, 1660	651.58

IH Bottom Sieves

Part #	Application	Price \$
1347015CH	1480, 1482, 1680, 1682 - short finger	753.80
1979328CH	1680-1688, 2188, 2388, 5088-7088 - short finger	961.74
1347017CH	1420, 1620 - short finger	507.33
1347016CH	1440-1470, 1640, 1660 - short finger	532.73
1994961CH	1644, 1666, 2144-2366 - extended-short finger	709.95

Why pay Big Money for OEM parts?
Get quality replacements at a great price from
THE Company!

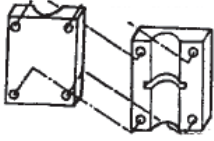
Case - IH

GRAIN HANDLING

Straw Walkers

Part #	Description	Price \$
177204CH	815 and 915	395.00

Straw Walker Blocks Kits



Part #	Application	Price \$
166067CH	815, 915	41.10

Straw Walker Grating



Why replace your entire Straw Walker if only your grates are bad?

Our Grates are 4' long and weigh approx. 5 lbs.

Part #	Application	Length	Avg. Wt.	Price \$
IH8012	815, 915 Front Section	18"	5 lbs.	31.59
IH8011S	815, 915	4'	5 lbs.	76.95

Cleaning Fan Shafts and Hubs



Part #	Application	Price \$
185286CH	1420-1480, 1620-1680, 2188-2388 - hub assembly	102.95
1309015CH	1480 (24852 up), 1680 cleaning fan shaft	301.97
191923CH	1480 (to 14000) - shaft	119.48
183445CH	1440 (1501-10000), 1640 (1501-12000) - shaft	128.79
1309016CH	1440 (10001 up), 1460 (12001 up), 1640, 1660 cleaning fan shaft	140.83

Chopper Knife Kits

- All kits contain hardware and bushings
- Made in U.S.A.
- Heat treated and tungstun coated to exceed OEM!
- Free Freight in quantities of 4 or more. Individual Kit wt avg. 4 lb.



Part #	OEM Part #	Application Knives per kit	Qty.	Length	Price \$
197124CH	197124C1	Case IH 815, 915	2	All Combines	CALL

Shoe Supply Augers



Part #	Application	Wt.	Price \$
1308541CH	Late 1400 series axial flows ↑1982 & other models w/ right Hand flight, 7/80 hex shaft	25	166.61
1309229CH	Special left hand flight for Above models w/1 1/80 hex shaft	25	138.79
193398CH	Early model 1400 series axial flows ↓1982 right hand fighting w/1 1/80 hex shaft	25	125.77
1309229CH	Special left hand flight Above models w/7/80 hex shaft	25	138.79

Shoe Delivery

Part #	Fits	Wt.	Price \$
193398CH	RH 7/8 Hex Shaft	25.0	125.77
1308541CH	RH 1-1/8 Hex Shaft	25.0	166.61

Clean Grain Augers

Part #	Application	Wt.	Price \$
1319169CH	1440 1460 1470	37 lbs.	188.56
143959AH	2188, 2388	43 lbs.	246.42
1317409CH	1630, 1688	48 lbs.	251.26
1317484CH	1640 thru 1666, 2144, 2166 - All '86 and after	44 lbs.	165.66
1319173CH	1480 with 1 1/4 shaft	42 lbs.	180.01

Clean Grain Chains

Elevator chains have rigid nylon paddles that carry more grain to increase capacity Nylon paddles keep the bottom of the elevators clean especially in moist conditions Nylon paddles are more durable in rodent situations than rubber paddles



Part #	Application	Links	Paddle Size	Wt.	Price \$
1302201CH	1440, 1460, 1470	150	7 3/4" x 2 3/4"	48	275.44
177453CH	815 & 915 below 8001	152	7 3/4" x 2 7/8"	48	253.39
1321334CH	1640 to 1666, 2144-2366	150	5 5/8" x 4"	55	285.22
1302201CH	11440, 1460, 1470	150	7 3/4" x 2 3/4"	48	275.44
1302195CH	1480 above SN 14001	160	7 11/16" x 3 11/16"	51	335.82
1317482CH	1680, 1688, 2188, 2388, 2588	153	7 5/8" x 3 3/4"	57	288.67

Clean Grain Elevator Sprockets



Upper

*Call w/shaft size & number of teeth

Part #	Application	Shaft Size	Teeth	Price \$
1317192CH	1680, 1688	1.25	9	64.06
1317192CH	2188, 2388	1.25	9	64.06
165292CH	1420	1.0	6	45.80
165292CH	1440 ↓ SN 10000, 1460 ↓ SN12001	1.0	6	45.80
1302200CH	1440 ↑ SN 10001, 1460 ↑ SN 12002	1.125	7	55.41
1302200CH	1440 ↓ SN 30484, 1460 ↑ SN 33286	1.125	7	55.41
1302200CH	1480 ↓ SN 14000	1.125	7	55.41
1302200CH	1480 ↑ SN 14001	1.125	7	55.41
1317192CH	1640, 1644, 1660, 1666	1.25	9	64.06
1317192CH	2144, 2166, 2344, 2366	1.25	9	64.06
168683CH	Case IH & IH 303, 403, 503, 715 815, 915, Both ↓ 8001 815, 915 Both ↑ 8001	.875	7	47.64

Lower

Part #	Application	Shaft Size	Teeth	Price \$
165292CH	1440 ↓ SN 10000, 1460 ↓ SN12001	1.0	6	45.80
143960AIH	2188, 2388	1.375	9	CALL
165292CH*	Case IH & IH 303, 403, 503, 715 815, 915, Both ↓ 8001 815, 915 Both ↑ 8001	1.0	6	45.80
1319176CH	1440 ↓ SN 30484, 1460 ↑ SN 33286	1.25	7	46.68
186720CH	1480 ↓ SN 14000	1.125	6	44.80
1319176CH	1480 ↑ SN 14001	1.25	7	46.68
1317192CH	1680, 1688	1.25	9	64.06
168683CH	1440 ↑ SN 10001, 1460 ↑ SN 12002	1.0	7	47.64
1317192CH	1640, 1644, 1660, 1666	1.25	9	64.06
1317192CH	2144, 2166, 2344, 2366	1.25	9	64.06
165292CH	1420	1.0	6	45.80

Case - IH

GRAIN HANDLING

Return Grain Augers



Part #	Application	Wt.	Price \$
192549CH	1480, 1680, 1688	40 lbs.	319.58
191734CH	1440 thru 1640, 1660, 1666, 1670	25 lbs.	170.02

Return Elevator Chains

Part #	Application	Links	Paddle Size	Wt.	Price \$
1303114CH	1420 thru 2388	112	5 5/8" x 2 3/4"	33	188.95
160432CH	715, 815, 915, 1420, 1620	152	5 3/4" x 2 7/8"	44	259.49

Return Elevator Sprockets

Lower

Part #	Application	Shaft Size	No. of Teeth	Price \$
165292CH	1440 ↓ SN 10000, 1460 ↓ SN12001	1.0	6	45.80
168683CH	1440 ↑ SN 10001, 1460 ↑ SN 12002	1.0	7	47.64
165292CH	1420	1.0	6	45.80
144031AIH	2188, 2388	1.0	6	CALL
1302200CH	1680, 1688	1.0	6	55.41
165292CH	Case IH & IH 303, 403, 503, 715 815, 915, Both ↓ 8001 815, 915 Both ↑ 8001	.875	7	45.80
168683CH	1440 ↓ SN 30484, 1460 ↑ SN 33286	.875	7	47.64
186720CH	1480 ↓ SN 14000	1.0	6	44.80
1302200CH	1480 ↑ SN 14001	1.0	6	55.41
168683CH	1640, 1644, 1660, 1666	1.0	6	47.64
144031AIH	2144, 2166, 2344, 2366	1.0	6	CALL

Upper

Part #	Application	Shaft Size	No. of Teeth	Price \$
168683CH	1480 ↑ SN 14001	1.0	7	47.64
168696CH	Case IH & IH 303, 403, 503, 715 815, 915, Both ↓ 8001 815, 915 Both ↑ 8001	.875	7	43.17
168683CH	2188, 2388	1.0	7	47.64
168683CH	1440 ↑ SN 10001, 1460 ↑ SN 12002	1.0	7	47.64
168683CH	1640, 1644, 1660, 1666	1.0	7	47.64
165292CH	1440 ↓ SN 10000, 1460 ↓ SN12001	1.0	6	45.80
168683CH	2144, 2166, 2344, 2366	1.0	7	47.64
165292CH	1420	1.0	6	45.80
165292CH	1480 ↓ SN 14000	1.0	6	45.80
168696CH	1440 ↓ SN 30484, 1460 ↑ SN 33286	.875	7	43.17
168683CH	1680, 1688	1.0	7	47.64

*Call w/shaft size & number of teeth

Horizontal Unloading Augers

Part #	Length	Description	Price \$
191071CH	178"	1440, 1460, 1480 early long length	CALL
220040CH		1640-2388 Auger Coupler Shaft	26.96
192845CH	146"	1440, 1460, 1480 early standard length	502.81

Vertical Unloading Augers

Double flighted auger gives more durability and longer life for less money than IH Standard Auger!

Part #	Wt.	Description	Price \$
1347389CH	80	1640 ↑ SN 97103, 1660 ↑ SN 102897, 1680 ↑ SN 115352 1644-1688, 2144-2388	350.01
1347341CH	80	1440-1680 W/ RETROFIT UPDATE ENCLOSED GEARBOX	431.28

Other Vertical Augers Available for Gleaner, Massey, White

* Prices Subject To Change, Call To Verify Current Prices.

Unloading Auger Tubes

Part #	Description	Price \$
1317738CH	1620-2388 Inner Solid Unloading Tube	622.39
1317783CH	1620-2388 Outer Unloading Tube 172"	480.69
195342CH	1420-1480 Outer Solid Unloading Tube	378.83

Auger Elbows

Part #	Application	Price \$
248308AH	1420-1482, 1620-1688, 2144-2188, 2344-2388	659.33

Combine Auger Swing Cylinders

Part #	Application	Wt.	Price \$
113960CH	IH 1440, 60, 80	9 lbs	309.10

Rubber Unloading Auger Spout

Part #	Application	Wt.	Price \$
186677CH	1440, 1460, 1480	7 lbs.	46.08
1321150CH	1640, 1660, 1680, 1644, 1666, 1688	7 lbs.	58.50
178167CH	815, 915	7 lbs.	30.86

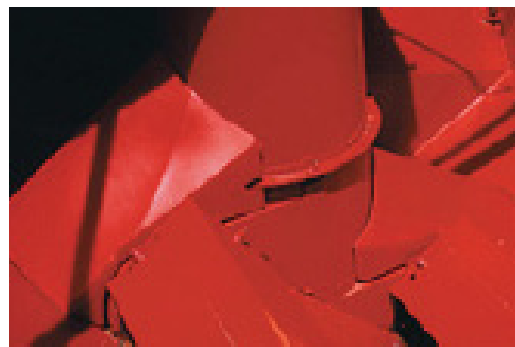
Unloading System

1420 thru 1680



Part #	Wt.	Description	Price \$
186517CH	7.5 lbs.	Gear set, bevel 28 tooth drive gear. 21 tooth driven matched set N/A separately	156.62
1327739CH	3 lbs.	Vertical shaft can replaces old #183489 C2	79.72
1327976CH	43 lbs.	Housing, cast replaces #193702 C92	309.93
1327738CH	8 lbs.	Horizontal shaft can replaces old #192790 C1	50.42

Grain Drain



High density polyethylene plastic angled covers funnel grain into the auger, keeping the auger housing clean and dry. It also prevents corrosion, improves unloading and installs in minutes.

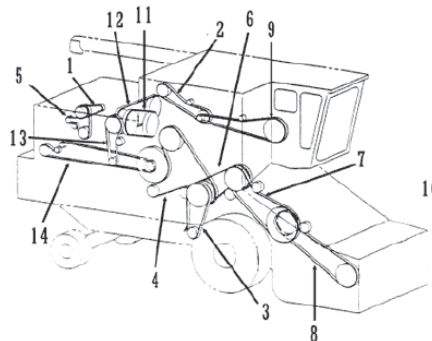
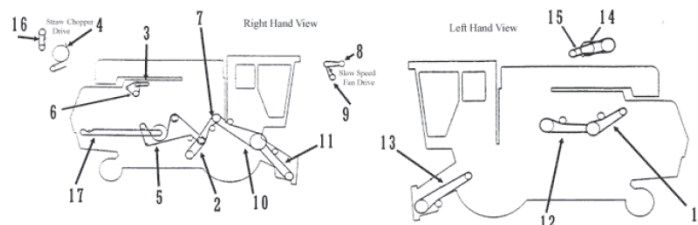
Part #	Description	Price \$
82028H	1400 thru 2300 series Case/IH	199.95

Case - IH

1640-1680

BELTS

1440-1480



Part #	Ref #	Fits	Description	Price \$
191288CHG	1	1440, 1460, 1480	Auxiliary Pump Drive	41.40
195396CHG	2	1440, 1460, 1480	Cleaning Fan Drive	49.34
874097CHG	3	1440, 1460, 1480	Compressor Drive	7.53
181055CHG	4	1440, 1460, 1480	Cleaning Unit Drive	129.23
192360CHG	5	(1440,1460)(to 1501)	Elevator Drive	72.44
186509CHG	5	(1440,1460)(1501 up), 1480	Elevator Drive	122.35
537072RHG	6	1440, 1460, 1480	Engine Fan (D436 Engine)	33.93
191305CHG	7	1440, 1460	Fan Jackshaft Drive	43.55
188213CHG	7	1480	Fan Jackshaft Drive	39.33
181359CHG	8	1440, 1460, 1480	Fan Jackshaft Drive, Slow Speed	55.05
610521RHG	9	1440, 1460, 1480	Fan Jackshaft, Slow Speed	12.36
192738CHG	10	1440, 1460	Feeder Drive	165.21
194528CHG	10	1480	Feeder Drive	179.02
1313097CHG	11	1440, 1460, 1480	Feeder Jackshaft Drive, 54 1/2" Feeder	123.95
1308489CHG	11	1480	Feeder Jackshaft Drive, 60" Feeder	194.05
1313095CHG	11	1440, 1460	Feeder Jackshaft Drive, 47" Feeder	136.29
191290CHG	12	1440, 1460	Grain Tank Unloader Drive	56.60
191291CHG	12	1480	Grain Tank Unloader Drive	77.40
197411CHG	13	1440, 1460	Hydraulic Reel Drive, 47 Inch Fdr W/O Rock Trap	48.89
197414CHG	13	1440, 1460, 1480	Hydraulic Reel Drive, 54 1/2" Fdr W/O Trap	43.62
197480CHG	13	1480	Hydraulic Reel Drive, 60" Fdr	57.88
1315315CHG	13	1440,1460, 1480	Hydraulic Reel Drive W/ Rock Trap	27.98
244420AHG	14	1440, 1460	Rotor Drive, Heavy Duty	208.72
244422AHG	14	1480	Rotor Drive, Heavy Duty	249.71
191241CHG	15	1440, 1460	Separator Drive	173.69
191244CHG	15	1480	Separator Drive	169.70
181012CHG	16	1440(20715 up), 1460(23250 up)	Straw Chopper Drive	65.46
181013CHG	16	1480(24001 up)	Straw Chopper Drive	64.58
153359CHG	17	1440 to 20715,1460 to 23250,1480 to 24001	Straw Spreader Drive	37.95
196371CHG	17	1440 (20715),1460 (23250),1480 (24001)	Straw Spreader Drive	51.77

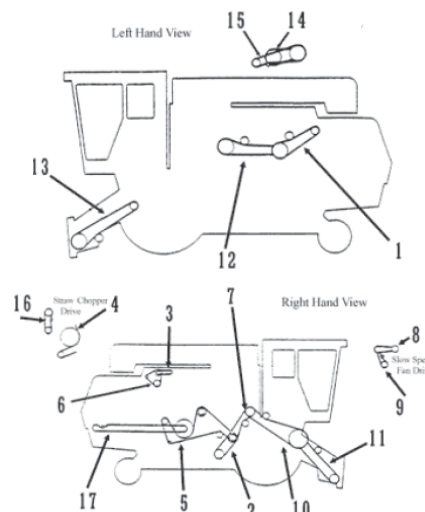
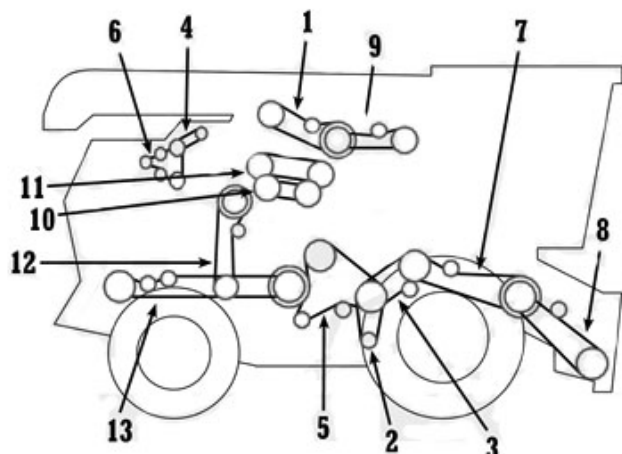
Part #	Ref #	Fits	Description	Price \$
396829RHG	1	1640, 1660, 1680	Air Conditioning Compressor	11.25
1970116CHG	2	1680	Auxiliary Pump Drive	44.75
1970115CHG	2	1640, 1660	Auxiliary Pump Drive	44.16
195396CHG	3	1640, 1660, 1680	Cleaning Fan Drive	49.34
181055CHG	4	1640, 1660, 1680	Elevator Drive, W/Straw Chopper	129.23
186509CHG	4	1640, 1660, 1680	Elevator Drive, W/Discharge Beater	122.35
537072RHG	5	1640 (Early w/IH 400 Series Engines)	Engine Fan & Alternator	33.93
J911562HG	5	1640 (Late w/Cummins Engines)	Engine Fan & Alternator	26.26
J911574HG	5	1660, 1680	Engine Fan & Alternator	29.06
191305CHG	6	1640, 1660	Fan Jackshaft Drive	43.55
188213CHG	6	1680	Fan Jackshaft Drive	39.33
192738CHG	7	1640, 1660	Feeder Drive, W/O Rock Trap	165.21
1315168CHG	7	1640, 1660	Feeder Drive, W/ Rock Trap	202.85
194528CHG	7	1680	Feeder Drive, W/O Rock Trap	179.02
1315074CHG	7	1680	Feeder Drive, W/ Rock Trap	163.50
1313095CHG	8	1640, 1660	Feeder Jackshaft Drive, (47" Feeder)	136.29
1313097CHG	8	1640, 1660	Feeder Jackshaft Drive, (54.5" Feeder)	123.95
1313097CHG	8	1680	Feeder Jackshaft Drive, (54.5" Feeder)	123.95
1308489CHG	8	1680	Feeder Jackshaft Drive, (60" Feeder)	194.05
191290CHG	9	1640, 1660 (to 102897)	Grain Tank Unloader Drive	56.60
191291CHG	9	1680	Grain Tank Unloader Drive	77.40
1321565CHG	10	(1640 & 1660 to 34860; 97171 up), (1680 to 46598; 115001 up)	Reel Pump Drive, (54.5" Feeder)	36.07
1315226CHG	10	1680 (to 46598) & (115001 up)	Reel Pump Drive, (60" Feeder)	23.60
1979606CHG	10	(1640, 1660) (S/N 34860-97170)	Reel Pump Drive, (47" Feeder)	25.71
1979607CHG	10	1680	Reel Pump Drive, (60" Feeder)	23.34
1321564CHG	10	(1640, 1660) (to 34860) & (97171 up)	Reel Pump Drive, (47" Feeder)	30.54
1330311CHG	10	(1640, 1660) (S/N 34860-97170), 1680	Reel Pump Drive, (54.5" Feeder)	28.37
244423AHG	11	1680	Rotor Drive, Heavy Duty	250.73
244420AHG	11	1640, 1660	Rotor Drive, Heavy Duty	208.72
191241CHG	12	1640, 1660	Separator Drive	173.69
1330499CHG	12	1680	Separator Drive	140.83
1315265CHG	13	1640, 1660	Straw Chopper Drive	65.30
1315266CHG	13	1680	Straw Chopper Drive	70.28
196371CHG	14	1640, 1660, 1680	Straw Spreader Drive	51.77

COMBINE

Case - IH

1644-2188

5088, 6088, 7088



Part #	Ref #	Fits	Description	Price \$
1347387CHG	1	1644	Auxilliary Pump Drive	61.67
1541699CHG	1	1666	Auxilliary Pump Drive	60.48
1541700CHG	1	1688	Auxilliary Pump Drive	58.17
124573AHG	1	2144, 2166, 2188	Auxilliary Pump Drive	57.60
1541569CHG	2	1644, 1666, 1688, 2144, 2166, 2188	Cleaning Fan Drive	44.73
191305CHG	3	1644, 1666, 2166	Cleaning Fan Jackshaft Drive	43.55
188213CHG	3	1688, 2188	Cleaning Fan Jackshaft Drive	39.33
1250587CHG	4	1644, 2144	Compressor, A/C	11.15
396829RHG	4	1666, 1688, 2166, 2188	Compressor, A/C	11.25
181055CHG	5	1644, 1666, 1688	Elevator Drive	129.23
186509CHG	5	1644, 1666, 1688, 2144, 2166, 2188	Elevator Drive W/Dis-charge Beater	122.35
J911565HG	6	1644, 2144	Fan, Alternator, Water pump	27.83
J911572HG	6	1666, 1688, 2166, 2188	Fan, Alternator, Water pump	26.52
1315168CHG	7	1644, 1666, 2144, 2166	Feeder Drive W/Rock Trap	202.85
194528CHG	7	1688, 2188	Feeder Drive W/O Rock Trap	179.02
1315074CHG	7	1688, 2188	Feeder Drive W/Rock Trap	163.50
192738CHG	7	1644, 1666, 2144, 2166	Feeder Drive W/O Rock Trap	165.21
1313095CHG	8	1644, 1666	Feeder Jackshaft Drive, W/47" Feeder	136.29
1313097CHG	8	1644, 1666, 1688, 2144, 2166, 2188	Feeder Jackshaft Drive W/54 1/2" Feeder	123.95
1308489CHG	8	1688, 2144, 2166, 2188	Feeder Jackshaft Drive W/60" Feeder	194.05
1989216CHG	9	1644, 1666	Grain Tank Unloader Drive	63.33
1989217CHG	9	1688, 2188	Grain Tank Unloader Drive	75.27
244420AHG	10	1644, 1666, 2144, 2166	Rotor Drive, Heavy Duty	208.72
244422AHG	10	1688, 2188	Rotor Drive, Heavy Duty	249.71
1541702CHG	11	1688, 2188	Separator Drive	152.02
191241CHG	11	1644, 166, 2144, 2166	Separator Drive	173.69
1315265CHG	12	1644, 1666, 2144, 2166	Straw Chopper Drive	65.30
1315266CHG	12	1688, 2188	Straw Chopper Drive	70.28
196371CHG	13	1644, 1666, 1688, 2144, 2166, 2188	Straw Spreader Drive	51.77

Part #	Application	Ref #	Description	Price \$
87755884HG	All	1	Fan Drive	31.45
87311867HG	All	2	A/C Compressor	12.33
84163222HG	All	3	Straw Spreader Drive	57.95
87476487HG	All	4	Cleaning System Drive (with Beater)	125.95
87476486HG	All	4	Cleaning System Drive (with Chopper)	135.95
301146AHG	All	5	Cleaning Fan Drive	39.17
87642957HG	All	6	Fan Jackshaft Drive	43.95
87629601HG	All	7	Feeder Drive (with Rock Trap)	240.87
87629602HG	All	7	Feeder Drive (w/o Rock Trap)	225.66
87332159HG	All	8	Header Drive (with Rock Trap)	201.82
87332161HG	All	8	Header Drive w/o Rock Trap)	205.33
84137716HG	All	9	Separator Drive	229.65
84194650HG	5088	10	Rotor Drive	313.23
87615553HG	6088, 7088	10	Rotor Drive	324.10
87549557HG	6088, 7088	11	Unloader Drive	84.95
87566055HG	5088	11	Unloader Drive	78.95
87330894HG	All	12	Aux. Pump Dr. (w/ 2.5 BU/Sec Unloader)	83.29
87549556HG	All	12	Aux. Pump Dr. (w/ 3.0 BU/Sec Unloader)	98.60
87330903HG	All	13	Straw Chopper Drive	75.95

COMBINE

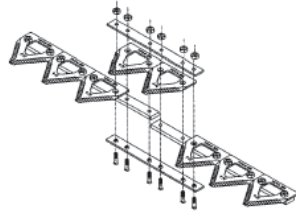
Case - IH Feed Plates

PLATFORM

Sickles

1020/1010

Part #	Description	Price \$
S351049	30' Chrome Sections	352.95
S351054	15' Chrome Sections	199.95
S351051	22.5' Chrome Sections	267.95
S351052	20' Chrome Sections	246.65
S351053	17.5' Chrome Sections	237.95
S351050	25' Chrome Sections	310.95



All our JD spliced sickles are Lite Super 7 extra heavy chrome top serrated! (less Head)

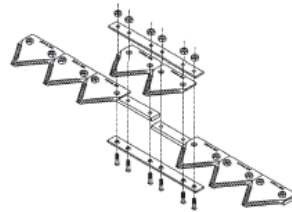
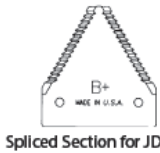


Grain table worn out?
Crop bunching up on rusting steel?
Stainless sheets too expensive?

Poly Feed Plate Covers eliminate these problems at a fraction of the cost of stainless. Super slick poly allows crop to flow across grain table without bunching up, preventing thresher clogging and increasing combine efficiency.

820 Lickity-Split

THE. Company now offers you the spliced sickle!



- All split sickles come with the Super 7 extra heavy top serrated chrome section. This section will outlast and out perform anything you have ever used before!
- All sickles are bolted for easy section replacement.
- All sickles can be shipped UPS!
 - On split sickles ONLY we will pay the freight to your door

Part #	Description	Price \$
S351048	15' - Chrome Sections	199.95
S351045	22.5' - Chrome Sections	266.25
S351046	20' - Chrome Sections	241.95
S351047	17.5' - Chrome Sections	237.10

1020 Series

Part #	Size	Price \$
FP102030	30'	1,250.00
FP102015	15'	794.95
FP102025	25'	1,100.00
FP1020225	22.5'	1,025.00
FP102020	20'	990.00
FP1020175	17.5'	890.00
FP1020165	16.5'	855.00

820 Series

Part #	Size	Price \$
FP820225	25'	328.95
FP820175	17.5'	254.95
FP82020	20'	298.95
FP82015	15'	230.95
FP82013	13'	189.95
FP820165	16.5'	239.95

Combine Sickle Sections

Type Key

- US = Under Serrated
- TS = Top Serrated
- C = Chrome
- R = Regular Gauge
- H = Heavy 12 Gauge



Part #	Application	OEM #	Type	Avg. Wt.	Price \$
S203412	Combines 615, 715, 815	567409R1	TS-R-C	.2 lb	0.99
S203276	820 Head	826720C1	TS	.2 lb	0.95
S204464	Double Point 3"	Bolt On	TS-H-C	.2 lb	CALL
S203325	1020 Series Bean Head Countersunk			.2 lb	0.98
S206332	915 And Header	634793R1	TS-H	.2 lb	1.14

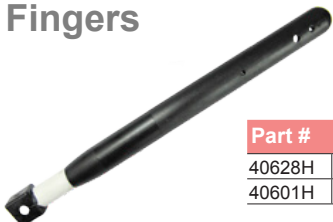
Poly Bean Head Snoots



Truck Freight - Call for a quote

Part #	Application	Price \$
IH820PS	IH 800 Series	1,100.00

Fingers



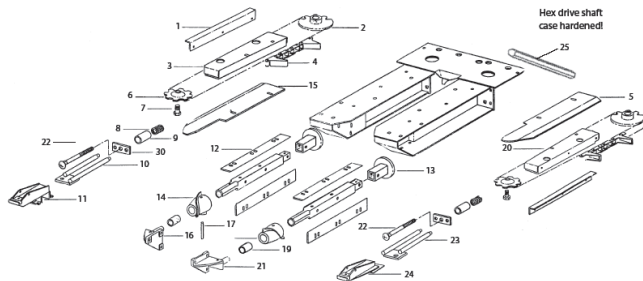
Part #	Description	Price \$
40628H	Hardware Kit	2.88
40601H	Case-IH	10.45

Combine Guards

Part #	Application	Price \$
MCM210	Double Point Guard (3) used on 820 and 1020 Platforms	9.90
MCM231	Double Point Guard for all Bio Platforms using Hart Carter Floating Cutter Bars	9.15
MCM270	Double Point Guard for all 820/1020 Platforms	11.35
MCM266	Four Point Guard 1020 Platforms	7.42

Case - IH

CORNHEAD



Part #	Ref	Wt	Description	Price \$
176280CH	1	3	800 Series Gathering Chain Guide	19.10
134176CH	1	4	900 & 1000 Series Gathering Chain Guide	14.42
IH8001000SP	2	4	800, 900, 1000 Series Gathering Chain Upper Sprocket	18.50
AN102009H	4	6	800, 900, 1000 Series Gathering Chain	27.50
176292CH	5	10	800 Series Right Hand Stripper Plate	20.00
199382CH	5	10	900, 1000 Series Right Hand Stripper Plate	19.75
AN102448H	6	2	800, 900, 1000 Series Lower Gathering Chain Idler Sprocket	11.95
176287CH	10	5	800 and 900 Series Right Hand Gathering Chain Adjust Bracket	42.25
199372CH	11	12	900 Series Right Hand Gathering Chain Adjust Support	148.05
176304CH	12	2	800 Series Stalk Roll Knife	14.15
1327126CH	12	2	900 and 1000 Series Stalk Roll Knife	14.15
176301CH	13	1	800 and 900 Series Stalk Roll Drive Coupler	18.49
199158CH	14	2	900 Series Right Stalk Roll Spiral Point	270.25
176291CH	15	12	800 Series Left Hand Stripper Plate	20.00
199381CH	15	12	900, 1000 Series Left Hand Stripper Plate	19.75
176307CH	17		800 & 900 Series Stalk Roll Point Pin	5.25
199158CH	18	2	900 Series Left Stalk Roll Spiral Point	270.25
176311CH	19		800-900 Series Lower Stalk Roll Support Bushing	9.44
1347176CH	20	10	900 Series Gather Chain Guide Support	18.30
176286CH	23	5	800 and 900 Series Left Hand Gathering Chain Adjust Bracket	42.25
199371CH	24	12	Left Hand 900 Series Gathering Chain Idler Support	148.05
118Hex	25		Drive Shaft, 1-1/8, Hardened for superior durability	1.95/inch
176371KIT		10	800 Series Gathering Chain Drive Conversion Kit	61.64
176357CH	4		800 Series Upper Bushing	20.72
176374CH	1		800 Series Lower Bushing	6.35
800RG	0.3		800-900 Chain Tightener Guide Repair Kit	10.95
199479CH	0.3		900-1000 Series Upper Bushing	5.93
199490CH	5		900-1000 Gathering Chain Drive Shaft	47.04

Snouts



Part #	Description	Price \$
176233CH	800, 900, 1000 Series Outside L.H. w/point	178.95
176234CH	800, 900, 1000 Series Outside R.H. w/point	178.95
176237CH	Snout Point, 800, 900, 1000 Series	15.95
176228CH	800, 900, 1000 Series Narrow Row Center w/point	206.10
176227CH	Center Point 800, 900, 1000 Series	17.89
176221CH	800, 900, 1000 Series Wide Row Center w/point	227.25

Complete Polytin Kits for Cornheads

Part #	Application	Price \$
PTK83090AH	8 Row 30" for 983, 1063	3,795.00
PTK83098AH	8 Row 30" for IH 883	3,995.00
PTK63090AH	6 Row 30" for IH 963	2,915.00
PTK63098AH	6 Row 30" for IH 863	3,195.00

Polytin



Part #	Application	Wt.	Description	Price \$
PLHS90A	30" to 40" rows	20	Left hand snout	149.95
PS3090A	30" rows	25	Center snout	159.25
PD30908A	30" rows 883, 983, 1063	47	Center divider	219.96
PD3090A	30" rows 900, 100	47	Center divider	285.25
PRHF90A	30" to 40" rows	55	Right hand fender	296.25
PRHS90A	30" to 40" rows	20	Right hand snout	149.95
PLHF90A	30" to 40" rows	55	Left hand fender	296.25

Outside Rear Fenders

*Great Quality!
Only from
THE
Company!*

Part #	Description	Price \$
199504CH	900 & 1000 Series Right hand	371.85
176191CH	800 Series Left hand	336.27
199503CH	900 & 1000 Series Left hand	371.85
176192CH	800 Series Right hand	336.75

Polytin Replacement Parts

The Polytin Advantage:

- Less Cost
- Needs No Paint
- Will Stand More Abuse Than Tin
- Replaces OEM Parts With No Or Little Change
- Less Crop Sticking
- Less Weight
- Stainless Steel Reinforcing for Longer Wear

Part #	Description	Price \$
PW30R	RH Snout N/W rows IH & JD	17.95
PW30L	LH Snout N/W rows IH & JD	17.95
PW31L	30" LH CENT SNOUT IH & JD	17.10
PW36L	36" LH CENT SNOUT IH & JD	17.75
71364963NP	Pt for all IH & JD Snouts Stainless Steel Wear Strips	19.71
PW31R	30" RH CENT SNOUT IH & JD	17.10
PW36R	36" RH CENT SNOUT IH & JD	17.75

Case - IH

CORN HEAD

Trough Repair Panels



Cornhead Trough Repair Panels

- Other makes and models available—Just Call
- Other model troughs can be made to order

Part #	Make & Model	Wt.	Description	Price \$
176118H	IH 863 & 883	18 lbs.	Bottom Center Trough	130.50
322341H	Case/IH 963 & 1063	13 lbs.	Back Left Angle Sheet	98.44
179508H	IH 863	12 lbs.	Bottom Right Trough	251.00
179507H	IH 863	12 lbs.	Bottom Left Trough	251.00
199752H	Case/IH 963, 983, 1063, 1083	17 lbs.	Bottom Center Trough	127.05
319209H	Case/IH 963 & 1063	11 lbs.	Bottom Right Trough	157.35
319208H	Case/IH 963 & 1063	11 lbs.	Bottom Left Trough	157.35
199783H	Case/IH 963 & 1063	13 lbs.	Back Right Angle Sheet	43.35

Poly Trough Lining

Part #	Application	Wt.	Price \$
PL8442	844 W/ 42" OPENING	25	233.26
PL9632	963/1063 W/ 42" OPENING	30	264.95
PL9442	944/1044 W/ 42" OPENING	25	239.95
PL8832	883 W/ 42" OPENING	35	428.00
PL8633	863 W/ 33" OPENING	30	265.77
PL8443	844 W/ 33" OPENING	25	218.00
PL9832	983/1083 W/ 42" OPENING	35	444.95
PL8632	863 W/ 42" OPENING	30	252.75

Stalk Roll Update Kit

800, 900, 1000 Series (Water Pump Style Bearing)

Includes spiral, support, bearings, shims, four knives, rear coupler and hardware.

Part #	Wt.	Price \$
IH1000SRKH	120 lbs	490.00

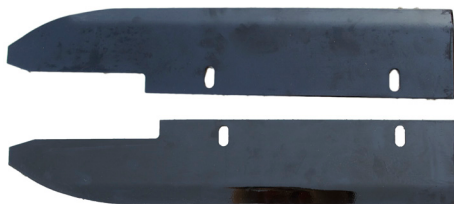
Corn Head Knives



Part #	Application	Wt.	Price \$
176304CH	Fits 800 Series heads	2	14.15
1327126CH	RH, LH Fits 900 & 1000	2	14.15
86977538H	IH 2200 Series	3	49.95

Hydraulic Adjustable Deck Plates

800, 900, 1000



Part #	Description	Price \$
IH3012HDPK	30" 6 ROW ASSEMBLY	4,495.00
IH308HDPK	30" 12 ROW ASSEMBLY	3,095.00
IH306HDPK	30" 8 ROW ASSEMBLY	2,395.00

Gathering Chains



Roller Type Chain fits original sprockets perfectly & gives more efficient operations and longer life. Each chain completely assembled, ready to use!

Part #	Wt.	Description	Price \$
654164RH	8	All 200, 400, 700 Series CA2060H	78.36
176279CH	6	All 800, 900, 1000 Series Heads CA555	CALL

Lower Idler Sprockets



Part #	Application	Avg. Wt.	Price \$
155915CH	700 Series Heads 3/4 Bore	2 lbs.	47.51
176283CH	800-900-1000 Series Heads 5/8 Bore	2 lbs.	11.95

Gathering Chains

Drive Sprockets

Part #	Model Application	Avg. Wt.	Price \$
176357CH	800, Upper Bushing lower bushing 900, 1000	2	20.72
199497CH	900, 1000 Series w/Key Way	2	21.95
199479CH	900, 1000 Upper bushing	2	5.93
176371CH	800, Drive Shaft	2	58.10
199490CH	900, 1000 Drive Shaft	2	47.04
176374CH	800 Lower bushing	2	6.35
176278CH	800, Pinned	2	19.53
176371KIT	Convert 800 pin Style Sprocket and shaft to late key style w/bushings	2	61.64
166144CH	700 Series	2	69.93

Rubber Ear Savers



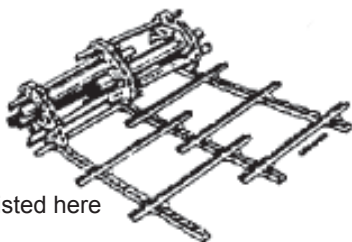
Part #	Application	Wt.	Price \$
199097CH	800-900-1000	0.5 lb.	4.00

Don't see your model listed?
Give us a call, we can likely find the parts you need!

John Deere

FEEDER HOUSE

Feeder Chains



- Made in North America
- Heavy duty construction
- Bolted, not riveted
- Chain size is CA550 for all listed here
- Weight is in lbs.

Part #	Application	Links	Center to Center on Sprockets	Wt.	Price \$
AH116718H	8820, Titans T-slat wide spaced	96	21 1/8"	210	655.84
AH116712H	4400, 4420, 4425, T-slat wide spaced	86	16"	140	407.98
AH116713H	6600, 6620, Titans T-slat wide spaced	86	19"	140	491.70
AH137845H	9400, 9410, 9450, 9500, 9510, 9550, CTS, CTS II, 9650STS, 9750STS, 9750STS, T-slat closed spaced with chrome pins	101	23 3/4"	250	830.97
AH143400H	9600, 9610, 9650, T-slat Closed spaced with chrome pins	101	19 3/8"	320	1,199.30
AH116716H	7700, 7720 Titans T-slat wide spaced	85	24 3/8"	180	474.49
AH143399H	9600, 9610, 9650, T-slat Closed spaced with plain pins	101	19 3/8"	241	1,011.81

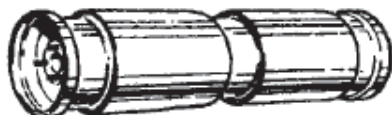
Feeder Chain Sprockets



Our John Deere Feeder Chain Sprockets weigh approximately 3 lbs.

Part #	Application	Price \$
H118583H	6620 to 8820	50.45
H121435H	3300 to 7700	45.95

Replacement Conveyor Drums



Part #	New Item	Wt.	Price \$
AH108852H	4400	50	274.05

Header Drive Shafts

Part #	Wt.	Description	Price \$
H89308H	45.0	All 6600	383.41
JD9424H	.5	Bearing	CALL
H114617H	43.0	Fits All 4400 & 4420	389.20
AH10199	.5	Bearing LH	117.70
H89309H	51.0	All 7700 Spacer & Key 9424	297.25
JD9424H		Bearing RH	CALL
WPS112GRC	.5	Bearing RH and Left Hand	15.48

JD Lower Header RH Drive Shaft



Part #	Application	Wt.	Price \$
AH97641H	6620 with reverser drive	53.0	415.18
AH97643H	8820 with reverser drive	59.0	332.05
AH97642H	7720 with reverser drive	53.0	481.95
H115230H	4400, 4420, 6600 & 7700 without reverser	35.0	234.55

Rubber Paddle Blades for Sidehill Combines

Part #	Description	Price \$
H111308H	JD 6600, 6620, side hill Lower shaft Two used side hill	43.33
H88167H	JD 6600, 6620 Upper shaft Two used	12.00
H88168H	JD 6600, 6620 SH, Center shaft Eight used	29.99

Feederhouse Bottom Replacement Sheets

Exceeds OEM Specifications Check Dimensions To Ensure Proper Order #

Part #	Application	Wt.	Price \$
AH83620H	7700, 7720 UPPER BACK BOTTOM REG LGTH	75	223.15
AH89527H	6600, 6620 FALSE BOTTOM SN 310, 499 44" REG LENGTH	67	CALL
AH94031H	6600, 6620 FALSE BOTTOM SN 310, 500 EXCEPT SIDEHILL, 46-1/4" REG. LENGTH	67	CALL
AH83618H	6600, 6620, (EXCEPT SIDEHILL)UPPER BACK BOTTOM REG. LENGTH	45	246.15
AH137733H	9400, 9500 BOTTOM FLOOR	210	CALL
AH159704H	9600, 9610 BOTTOM FLOOR	250	786.95
AH124955H	7720 FALSE BOTTOM 43 1/2 X 52"	75	CALL
AH124954H	7720 FALSE BOTTOM 43 1/2 X 37"	50	CALL

THRESING

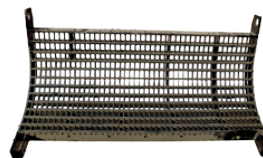
Chrome Bar

Part #	Model	Wt.	Description	Price \$
K12044C	6600, 6620, T II	85 lbs.	Angle set of 8	527.95
K12045C	7700, 7720, T II	107 lbs.	Angle set of 8	578.95
K12065C	8820, Titan II	130 lbs.	Angle set of 8	660.41
K12095C	9400, 9500, 9510, 9550,9560,CTS	140 lbs.	Angle set of 10, 2 rows of 3/8 holes	703.25
K12096C	9600, 9610	165 lbs.	Angle set of 10, 2 rows of 3/8 holes	815.95

Standard Bar

Part #	Model	Wt.	Description	Price \$
K12096	9600, 9610, 9650, 9660	165	Angle set of 10, 2 rows of 3/8 holes	508.48
K12095	9400, 9500, 9510 9550, 9560, CTS	140	Angle set of 10, 2 rows of 3/8 holes	418.04
K12065	8820, Titan II	130	Angle set of 8	366.70
K12043	4400, 4420	74	Angle set of 8	370.00
K12044	6600, 6620, T II	85	Angle set of 8	379.95
K12045	7700, 7720, T II	107	Angle set of 8	355.00

Concaves



Part #	Application	Description	Price \$
KC440015	4400	15 Cross Bars	517.47
KC9600	9600	14 Cross Bars	944.13
KC9500	9400, 9500	14 Cross Bars	879.95
KC8820	8820	13 Cross Bars	715.85
KC770013	7700 SN8001 up and all 7720	13 Cross Bars	587.95
KC770015	7700 SN up to 8000	15 Cross Bars	558.25
KC660013	6600	13 Cross Bars	538.97
KC660015	6600	15 Cross Bars	643.55
KC440013	4400, 4420	13 Cross Bars	530.46

GRAIN HANDLING

Sieves

Part #	Application	Price \$
AH99750H	6600-6602, Early 6620-6622	504.13
AH106772H	7700, 7720	617.84
AH172951H	9400 thru 9660CTS (need 2)	347.80
AH130386H	8820 Titan II w/o corner units	825.19
AH172950H	9600, 9610, 9650, 9660 (need 2)	347.71
AH97998H	8820	764.61
AH87876H	4400, 4420	477.20
AH130380H	6620, 6622 Titan II w/o corner units	793.88
AH130383H	7720, 7721Titan II w/o corner units	709.92

John Deere

GRAIN HANDLING

Bottom Sieves

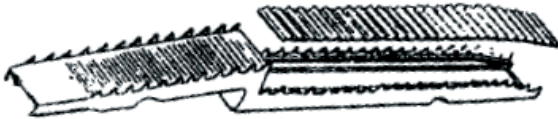


Part #	Application	Price \$
AH130387H	6620, 6621 Titan II	539.33
AH130160H	9400 thru 9660CTS (need 2)	305.01
AH130391H	8820 Titan II	722.97
AH96772H	8820 Ser ↓, 610, 700	655.62
AH96771H	7700, 7720	565.65
AH85352H	6600, 6620	397.45
AH85351H	4400, 4420	525.48

Straw Walkers

Part #	Description	Price \$
AH135381H	9400	CALL
AH99693H	Lip type 4400, 4420	564.05
AH135380H	9500, 9600	CALL
AH93701H	Lip type, 6600 and 7700	627.20
AH94469H	Lip type, 6620, 7720 and 8820	681.25

Straw Walker Grating



Why replace your entire Straw Walker if only your grates are bad?
Our Grates are 4' long and weigh approx. 5 lbs.

Part #	Application	Price \$
JD8031	6600 Thru 8820	75.99
JD8030	4400, 4420	72.79

Straw Walker Driven Sprockets



Our John Deere Straw Walker Driven Sprockets have a Tooth of 49 and 50 Chain. They weigh approx. 7 lbs.

Part #	Application	Price \$
H93463H	7720, 8820	55.68
H100778H	6620	49.45
H86128H	6600, 105801, 7700 Ser #111901 ↑	99.95
H76434H		CALL

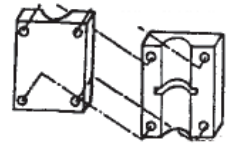
Walker/Shoe Drive Sprockets



Our JD Walker/Shoe Driven Sprockets weigh approx. 5 lbs.

Part #	Tooth	Chain	Application	\$
AH92689H	15/15	60	7720 Ser #610500 ↓, 8820 Ser #610700 ↓	70.50
AH115268H	15/18	60	7720 Ser #610501 ↑, 8820 Ser #610701 ↑	50.24
AH93152H	15/18	50	6620 Ser #610300 ↓	46.55
AH115267H	18/15	60/50	6620 Ser #610301 ↑	54.38
AH87249H	15/15	50	6600, 105801, 7700 Ser #111901 ↑	42.46
AH84243H	15	50	6600, 105800, 7700 Ser #111900 ↓	23.56

Straw Walker Blocks Kits



Part #	Application	Price \$
H119613H	6600, 7700	24.69
H119614H	6620, 7720, 8820	24.43

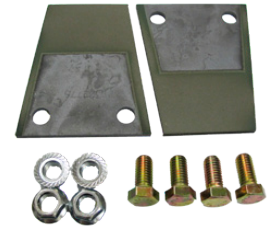
Chopper Parts



Part #	Application	Wt.	Description	Price \$
H112674H	7720	60.0	Corn Door	263.10
H149832H	7700, 7720	75.0	Bottom Knife Sheet	253.00
H149831H	6600, 6620	65.0	Bottom Knife Sheet	CALL
H149830H	4400, 4420	50.0	Bottom Knife Sheet	CALL
H112271H	4400, 4420, 6600, 6620, 7700, 7720, 8820	35.0	Right Hand Side Sheet	110.95
H143048H	9400, 9410, 9500, 9510	82.0	Bottom Knife Sheet	CALL
H112675H	8820	60.0	Corn Door	325.00
H143047H	9600, 9610	82.0	Bottom Knife Sheet	394.40
H85165H	6620	50.0	Corn Door	228.45
H85164H	4400	40.0	Corn Door	202.50
H112272H	4400, 4420, 6600, 6620, 7700, 7720, 8820	35.0	Left Hand Side Sheet	CALL
H149833H	8820	75.0	Bottom Knife Sheet	CALL

Chopper Knife Kits

- All kits contain hardware and bushings
- Made in U.S.A.
- Heat treated and tungsten coated to exceed OEM!
- Free Freight in quantities of 4 or more. Individual Kit wt avg. 4 lb.



Part #	OEM Part #	Application	Knives per kit	Qty.	L	Price \$
AH126851H	AH126851	55, 4420, 3300, 6600 Drum Style		6	9-1/4	19.20
H88809H	H88809	7700, 7720, 8820, 9400, 9500, 9600 Drum Style		6	8-7/16	13.50
H21219H	H21219	3300-7700 not Drum Style, sits on shaft		6		23.20
K142141H	H142141	All 9500, 9600 Double edged Knife Stationary				5.00

Shoe Supply Auger

Part #	Application	Wt.	Price \$
AH130424H	9400, 9500, 9600 right Hand	21 lbs.	147.61
AH95943H	6600 to 8820 All models right Hand	43 lbs.	209.10
AH130425H	9400, 9500, 9600 left Hand	21 lbs.	138.86
H84838H	Wood block, support for All models 6600-8820	.5 lb.	13.42
AH95944H	6660 to 8820 All models left Hand	43 lbs.	209.10

Clean Grain Augers



Part #	Application	Wt.	Price \$
AH107400H	8820 (below 464350)	50 lbs.	208.89
AH107442H	7720	47 lbs.	200.42
AH162154H	9450, 9550, 9650, CTS	90lbs	468.73
AH105856H	8820 (above 464351)	55 lbs.	231.73
AH91468H	6600	40 lbs.	207.08
AH141577H	9400, 9500	39 lbs.	353.27
AH141576H	9600, 9610	54 lbs.	321.61
AH128733H	9600 ↓SN 635, 474, 7.5" O.D.	90lbs	CALL
AH91283H	6620	42 lbs.	204.02
AH91469H	7700	47 lbs.	232.44

John Deere

GRAIN HANDLING

Clean Grain Elevator Housing



Part #	Fits	Price \$
AH112164H	6600, 7700 Late 6620, 7720 Early	789.25

Clean Grain Elevator Chains

Part #	Application	# Link	Paddle Size	Wt.	Price \$
AH87747H	4400, 4420, 6600, 6620, 7700, 7720	108	5 15/16" x 3"	38	175.05
AH162441H	9400, 9410, 9500, 9510	144	6" x 4 3/16"	52	246.95
AH134818H	8820 ↑ SN 464351	108	7 7/8" x 3"	43	228.81
AH87745H	3300, 4400, 4420	100	4 3/4" X 2 1/2"	34	133.95

Clean Grain Elevator Sprockets

Lower

Part #	Application	Shaft Size	#Teeth	Price \$
H91334H	6600, 6620, 7700, 7720, 8820 ↓ SN 464350	1.25	8	39.20
H91334H	8820 ↑ SN 464351, 6620 SN ↑ 610300, 7720 SN ↑ 610501	1.25	8	39.20
H91334H	9400, 9500, 9510	1.25	8	39.20
H63578H	3300, 4400, 4420	1.0	7	24.25
H108576H	4400, 4420, 6600, 6620, 7700, 7720	1.0	8	34.85

Upper

Part #	Application	Shaft Size	# Teeth	Price \$
H63577H	3300, 4400, 4420	1.0	7	35.72
H108576H	4400, 4420, 6600, 6620, 7700, 7720	1.0	8	34.85
H108576H	6600, 6620, 7700, 7720, 8820 ↓ SN 464350	1.0	8	34.85
H128576H	9400, 9500, 9510	30mm	8	46.41

Return Grain Augers



Part #	Application	Wt.	Price \$
AH122337H	8820, SN61071 ↑	51 lbs.	240.63
AH146322H	9400, 9500, 9410, 9510, 9550, 9650 W 1 3/8" SHFT	70	214.85
AH122336H	7720	43 lbs.	211.34
AH146313H	9600, 9610, 9650 W/ 1 3/8" SHFT	70	249.33
AH96279H	8820, SN610700 ↓	51 lbs.	240.63
AH76130H	4420, 4400	26 lbs.	146.53
AH75836H	6600	36 lbs.	157.04
AH122335H	6620 75.5 long	37 lbs.	186.15
AH76092H	7700	33 lbs.	175.26

Return Grain Elevator Housing

Part #	Price \$
AH96371H	639.89



Return Elevator Chains

Part #	Application	Links	Paddle Size	Wt.	Price \$
AH98032H	6620 (above 610300), 7720 (above 610501), 8820	144	6" x 3"	40	204.89
AH131074H	9400-9660CTS	153	6" x 3"	38	220.93
AH96388H	6600, 7700, Early 6620 & 7720	144	4 3/4" x 2 1/2"	39	177.20

Return Elevator Sprockets

Lower

Part #	Application	Shaft Size	Teeth	Price \$
H108576H	8820 ↑ SN 464351, 6620 SN ↑ 610300, 7720 SN ↑ 610501	1.0	8	34.85
H28H	9400, 9500, 9510	1.0	8	CALL
H63578H	4400, 4420, 6600, 6620, 7700, 7720	1.0	7	24.25
H63578H	3300, 4400, 4420	1.0	7	24.25
H99472H	6600, 6620, 7700, 7720, 8820 ↓ SN 464350	1.0	7	40.90

Return Elevator Sprockets

Upper

Part #	Application	Shaft Size	# Teeth	Price \$
H63578H	3300, 4400, 4420	1.0	7	24.25
H108576H	8820 ↑ SN 464351, 6620 SN ↑ 610300, 7720 SN ↑ 610501	1.0	8	34.85
H63578H	4400, 4420, 6600, 6620, 7700, 7720	1.0	7	24.25
H134603H	9400, 9500, 9510	hex	8	33.42
H63578H	6600, 6620, 7700, 7720, 8820 ↓ SN 464350	1.0	8	24.25

Grain Tank Loading Augers



Part #	Fits	Wt.	Price \$
AH90624H	6600 SN156501 ↑	29	242.28
AH127728H	6620, 7700 SN 163901 ↑	44	265.84
AH136635H	9400 SN640101 ↑, 9500 SN640202 ↑	41	430.16
AH127730H	Grain tank loading Auger for All 8820	40	326.95
AH127729H	Grain tank loading Auger for All 7720	39	328.71
AH83541H	Universal joint for grain tank loading Auger	1	15.95
AH136091H	9400 SN640100 ↓, 9500 SN640200 ↓	36	274.91

Grain Tank Loading Auger Housing



Part #	Application	Wt.	Price \$
AH77064H	loading Auger tube for 7700 SN163900 ↓	17 lbs.	275.86
AH98300H	loading Auger tube for All 7720 and 8820	35 lbs.	231.33

Horizontal Unloading Augers

Part #	Application	Length	Price \$
AH99394H	6600-7700 long Auger	144"	467.09
AH123436H	6620 thru 9600, 9610 with 14 ft. Auger	165"	CALL
AH143729H	6620 thru 9600, 9610 with 17 ft. Auger	201"	696.85

Rubber Unloading Auger Spout



Part #	Application	Wt.	Price \$
H149780H	6620, 7720, 8820, 9400, 9500, 9600	7 lbs.	55.00
H85939H	6600, 7700	7 lbs.	36.50

Unloading Auger Tubes

Part #	Description	Price \$
AH112865H	Solid 17 ft. 6620, 7720, 8820, 20 ft. 9400, 9500, 9600	842.33
AH101599H	4420 solid	723.38
AH87107H	4400 -137" long solid	640.87

Unloading System

Part #	Wt.	Description	Price \$
H149869H	8	Bevel gear (2) used in angle gear box at top unloading auger	103.23
H215085H	12	Vertical shaft - splined, drives vertical Auger	127.47
AH123930H	7	Auger tube "donut" - I.D. spline used at bottom end of vertical auger	87.34
H128861H	7	Auger tube "donut" - I.D. spline. Used at top end of vertical auger, also at drive end of horizontal auger.	104.42
AH86634H	46	Unloading auger countershaft for 6600 & 6620, 75 5/8" long	140.46
AH86633H	43 lbs.	Unloading, auger countershaft for 4400 & 4420, 64 5/8" long	156.40

Combine Auger Swing Cylinders

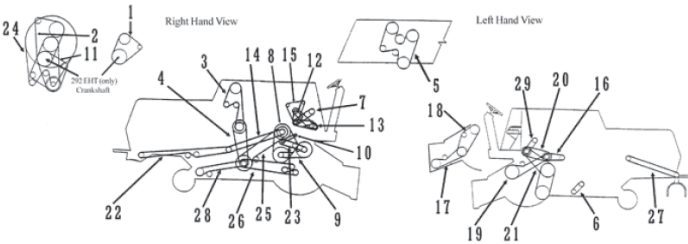
Part #	Application	Wt.	Price \$
X27186H	Late 6620 7720 8820 Early 9400 9500 9600	18 lbs	412.95

COMBINE

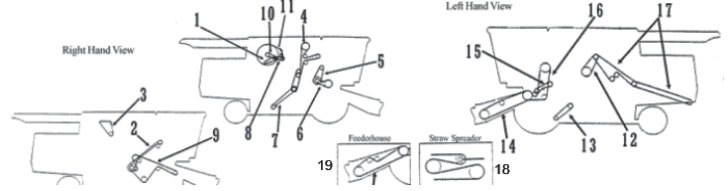
John Deere

BELTS

3300-4400



9400 9500 9500SH 9600



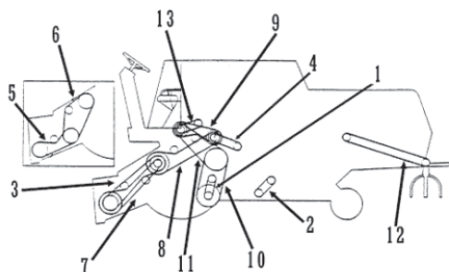
Part #	Ref	Application	Description	Price \$
H30634HG	1	4400	Alternator & Water Pump 292 Gas, 2924Ta	10.32
H80897HG	2	3300	Alternator & Water Pump	8.72
H80896HG	2	4400 (To 202603)	Alternator & Water Pump	7.98
H82724HG	2	4400 (202604 up)	Alternator & Water Pump 329Dh-02&03	11.06
E60212HG	3	3300 (To 101300), 4400 (To 151500)	Clean Grain Elev, U-Joint Loading Auger	29.43
H87648HG	3	3300 (150001 up), 4400 (151501 up)	Clean Grain Elevator	43.87
H23817HG	4	3300, 4400	Clean Grain Elevator Countershaft	39.90
H81222HG	5	4400	Clean Grain Elevator, Loading Auger Ext	36.31
H80726HG	6	3300, 4400	Cleaning Fan	47.34
H80896HG	7	3300 Gas (to 100000), 4400 Gas (to 151500) 4400 Diesel (to 101300)	Compressor, A/C 292 Gas, 329 Diesel	7.98
H81742HG	7	3300 Diesel (To 100000)	Compressor, Ac	8.13
H63772HG	7	3300 (100001-101300)	Compressor, Ac	CALL
H86273HG	7	3300 (150001 up)	Compressor, Ac	8.26
H86275HG	7	4400 (151501 up)	Compressor, A/C 6329DH-01	7.89
H77683HG	7	4400 (S/N 101301-151500)	Compressor, A/C 329 DIESEL	6.63
H75816HG	8	3300, 4400	Cylinder Intermediate Shaft	78.06
AH-80500HG	9	3300, 4400	Cylinder	52.65
H83078HG	10	3300, 4400	Cylinder Tachometer	7.12
H86273HG	11	3300	Engine Fan And Rotary Screen Drive Shaft	8.26
H86275HG	11	4400	Engine Fan And Rotary Screen Drive Shaft	7.89
H94373HG	12	4400 (250501 up)	Engine Fan	8.46
H79236HG	12	3300 (To 100000), 4400 (To 101300)	Engine Fan	8.46
H86271HG	12	3300, 4400 (To 250500)	Engine Fan, Cab W/Air Conditioning	8.12
H79235HG	13	3300 (To 100000), 4400 (To 101300)	Engine Fan Countershaft	8.46
H20407HG	14	3300, 4400	Front Straw Chopper	32.19
H82479HG	15	4400	Governor	8.28
H77683HG	16	3300, 4400	Hydrostatic Reel Pump	6.63
AH-87197HG	17	4400	Platform And Corn Head Lower Variable	37.66
AH-76154HG	17	4400 (Long Feeder-house)	Platform And Corn Head	63.85
P46553HG	18	4400	Platform And Corn Head Middle Variable	83.12
H76028HG	19	3300, 4400	Platform And Feeder House Upper	58.84
AH-98052HG	20	3300, 4400	Primary Countershaft	45.43
H75911HG	21	3300	Propulsion (Requires 2 - Upper & Lower)	102.95
H75847HG	21	4400	Propulsion (Requires 2 - Upper & Lower)	88.31
H79787HG	22	3300, 4400	Rear Straw Chopper	56.16
H86060HG	23	3300 (853), 4400 (To 101300)	Rotary Deflector	10.06
H86039HG	23	3300 (100001 up), 4400 (101301 up)	Rotary Deflector	10.68
H86259HG	24	3300 (100001 up), 4400	Rotary Screen	11.90
H138762HG	25	3300, 4400 (Replaces H80103)	Secondary Countershaft	46.91
H79285HG	26	3300, 4400	Shoe Grain Supply Augers	20.85
H80159HG	27	3300, 4400	Straw Spreader	19.49
E63031HG	28	3300, 4400	Tailings Lower Auger	25.40
H76136HG	29	3300, 4400	Unloading Auger Countershaft	17.71

Part #	Ref	Application	Description	Price \$
H134772HG	1	9400 (To 640100)	Air Conditioning Compressor	9.77
H101813HG	1	9400 (S/N 640101-650100)	Air Conditioning Compressor	9.42
H134437HG	1	9500 (To 645200), 9600 (To 631200)	Air Conditioning Compressor	9.98
H81742HG	1	9500/SH (645201-650200) 9600 (631201-647500)	Air Conditioning Compressor	8.13
H80896HG	1	9400 (650101 up) 9500/9500SH (650201 up)9600 (647501 up)	Air Conditioning Compressor	7.98
H128010HG	2	9400, 9500/9500SH, 9600	Secondary Countershaft	51.06
RE44538HG	3	9400 (To 640100) 9600 (630401-631200)	Alternator	22.17
H101813HG	3	9400 (640101 up) 9500/9500SH (665201 up) 9600 (645301 up)	Alternator (Upper)	9.42
H134344HG	3	9500/9500SH (To 665200)	Alternator (Low Power)	10.59
R73189HG	3	9500/SH (635201-645200) 9600 (635301-643000)	Alternator	6.31
H137830HG	4	9400 (To 640200)	Clean Grain Elevator	100.27
H141167HG	4	9400 (640101 up), 9500/SH (640201 up)	Clean Grain Elevator	95.90
H135458HG	4	9600 (To 640300)	Clean Grain Elevator	98.03
H141166HG	4	9600 (640301)	Clean Grain Elevator	95.91
H210476HG	5	9400, 9500/9500SH, 9600	Cylinder Intermediate Drive	184.25
H137670HG	5	9400, 9500/9500SH	Cylinder Intermediate Drive (Ext Range)	217.42
H115881HG	6	9400, 9500/9500SH, 9600	Cylinder Drive Reg Dual & Single Range	127.62
H145994HG	6	9400	Cylinder Drive, Extended Range	125.81
H118618HG	6	9400, 9500/9500SH, 9600	Cylinder Drive, Slow Speed	130.89
N110085HG	7	9400, 9500/9500SH, 9600	Tailings Auger & Elevator, Lower	47.85
H134216HG	8	9400 (To 640505), 9500/SH (To 642578)	Rotary Screen Drive	22.08
H146636HG	8	9400 (640506 up), 9500/9500SH (642579 up) 9600 (645301 up)	Rotary Screen Drive	10.36
H133577HG	8	9600	Rotary Screen Drive (Round Belt)	22.56
H131169HG	9	9400, 9500/9500SH, 9600	Shoe, Straw Walker And Conveyor Augers	85.78
H153297HG	10	9500/9500SH, 9600 (641717-662523)	Cooling Fan, High Power	38.20
H132809HG	10	9400	Cooling Fan, Low Power	12.45
H132808HG	10	9400, 9500 (Low Power), 9600 (To 641716)	Cooling Fan, High Power	14.25
H143869HG	11	9400 (To 640505) 9500/9500SH (642578 up) 9600 (S/N 636635-641716)	Rotary Screen	51.64
H145158HG	11	9400 (640506 up) 9500/9500SH (642579 up) 9600 (641717 up) (Replaces H45158)	Rotary Screen	37.85
AH158880HG	12	9400, 9500/9500SH, 9600	Unloading System	58.60
H140404HG	13	9400, 9500/SH (670201 up), 9600	Separator Fan, Regular Speed	53.89
H137264HG	13	9400, 9500/SH (to 670201), 9600	Separator Fan, Slow	61.07
H161648HG	14	9400, 9500/9500SH, 9600	Feeder House, Variable	142.35
AH163931HG	15	9400, 9500/9500SH, 9600	Beater Drive (75% Speed)	56.42
AH139436HG	15	9400, 9500/9500SH, 9600	Beater Drive (100% Beater Speed)	52.75
H125565HG	16	9400 (To 635100), 9500/9500SH (to 635200) 9600 (To 635300)	Header & Reel Pump	76.06
H151952HG	16	9400 (635101 up) 9500/SH (635201) 9600 (635301 up) (Replaces H140160)	Header & Reel Pump	86.51
H101436HG	17	9400	Chopper In Rear Position	34.82
E46113HG	17	9400 (To 640100)	Chopper In Windrow Or Forward Position	23.41
H27433HG	17	9400 (640101 up)	Chopper In Windrow Or Forward Position	25.94
H125381HG	17	9500/9500SH, 9600	Chopper In Rear Position	48.19
H125380HG	17	9400, 9500/9500SH, 9600	Front Chopper Drive	50.65
P47885HG	17	9500/9500SH (To 640200)	Chopper In Windrow Or Forward Position	29.54
H157726HG	17	9600	Front Chopper Drive, Fine Cut	95.87
H23950HG	17	9500/9500SH, 9600	Chopper In Windrow Or Forward Position	47.28
Z33774HG	18	9400	Straw Spreader	49.24
M140021HG	18	9500/9500SH	Strawspreader, Deck Drive	33.74
H128234HG	18	9500/9500SH, 9600	Straw Spreader	38.62
H126345HG	19	9400, 9500/9500SH, 9600	Feederhouse, Fixed W/ Reverser	93.93
H152180HG		9500-9500SH (SN 670201 & above)	Separator Fan, Slow Speed	62.24
H152146HG		9500-9500SH (SN 670201 & above)	Separator Fan, Regular	59.61

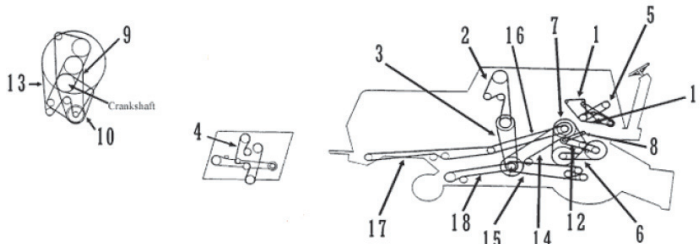
John Deere

BELTS

6600/7700 Left View



6600/7700 Right View



Part #	Ref #	Fits	Description	Price \$
T199THG	1	6600 (9583 up), 7700 (6208 up) 7700 Power Rear Wheel Drive (to 6207)	Charge Pump, Hydrostatic Drive	6.14
T12042HG	1	6600 (to 9582), 7700 (to 6207)	Charge Pump, Hydrostatic Drive	10.83
H108668HG	2	6600, 7700	Cleaning Fan	42.32
H77766HG	3	6600, 7700	Feeder Conveyor (Regular Feeder House)	35.94
H125380HG	3	6600, 7700	Feeder Conveyor (Long Feeder House)	50.65
H77683HG	4	6600, 7700	Hydrostatic Reel Pump	6.63
AH76154HG	5	6600, 7700	Platform & Corn Head Lower Variable	63.85
AH89436HG	5	6600 Sidehill	Platform & Corn Head Lower Variable	82.37
P46553HG	6	6600 (to 254350), 7700 (to 8000)	Platform & Corn Head Middle Variable	83.12
H84441HG	6	6600 (Eff S/N 254351), 7700 (Eff S/N 8001)	Platform & Corn Head Middle Variable	83.41
H77765HG	7	6600, 7700	Platform & Feeder House Lwr Regular	68.14
H79796HG	7	6600, 7700	Platform & Feeder House Lwr Long	84.31
H76030HG	8	6600 (to 254050) Except Corn Var. Speed 7700 All except Corn Variable Speed	Platform & Feeder House Upper	56.47
H23927HG	8	6600 (254051 up) (Corn Vari-Spd FH) 7700 (8001 up) For Corn Variable Speed	Platform & Feeder House Upper Vari-Spd	53.38
H84462HG	9	6600 (11501-304000) Sidehill (to 305672) 7700 362GH-01, 404DH-01 & 04 (to 5001)	Primary Countershaft	88.05
H108175HG	9	6600 Sidehill (305673-310500) 7700 404TH-01 (to 8001)	Primary Countershaft	92.68
AH75638HG	9	6600 (to 11500), 7700 (to 5000)	Primary Countershaft	110.50
H75847HG	10	6600	Propulsion Drive Lower	88.31
H75846HG	10	6600, 7700 (Eff S/N 111901)	Propulsion Posi-Torque Lower	108.36
H88576HG	10	6600 (to 156500)	Propulsion Hydrostatic Drive Lower	105.62
AH-84633HG	10	6600 (Eff S/N 156501), 7700	Propulsion Hydrostatic Drive Lower	94.21
H75847HG	11	6600	Propulsion Belt Drive Upper	88.31
H88576HG	11	6600 (to 156500)	Propulsion Hydrostatic Drive Upper	105.62
AH-84633HG	11	6600 (Eff S/N 156501), 7700	Propulsion Hydrostatic Drive Upper	94.21
AH-21301HG	11	6600 Sidehill (to 305672) 7700 404D, 404DH-04 (111901 up)	Propulsion Posi Torque Upper	163.65
AH-87127HG	11	6600 Sidehill (305673 up) 7700 404T, 404TH-01 (111901 up)	Propulsion Posi Torque Upper	102.09
H75846HG	11	7700 (to 115000)	Propulsion Belt Drive Upper	108.36
H26858HG	12	6600, 7700	Straw Spreader	24.69
H76150HG	13	6600 Sidehill (to 305672) 7700 362GH-01, 404DH-01 & 04 (8001 up)	Unloading Auger Countershaft	25.99
H84424HG	13	6600 Sidehill (305673 up) 7700 404TH-01 (8001 up)	Unloading Auger Countershaft	62.25

Part #	Ref #	Fits	Description	Price \$
AR41628HG	1	7700 (To 2800)	Alternator & Waterpump, (Gas)	25.62
AR41576HG	1	7700 (To 2800)	Alternator & Waterpump, (Diesel)	24.63
R52507HG	1	7700 (Eff 8001)	Alternator & Waterpump, 404Dh-04	11.65
R70871HG	1	7700 (8001-1639000)	Alternator & Waterpump, 404Th-01	9.55
H80897HG	1	6600 (To 105800)	Alternator & Waterpump	8.72
H79236HG	1	6600, 6404TH, 6404TH SH (305673) 7700 (163901 up)	Alternator & Waterpump, 6404Th & Sh	8.46
H85377HG	1	6600, 6404DH, 6404DH SH (To 305672)	Alternator & Waterpump, 6404Dh, Sh	9.19
H82724HG	1	6600, 329DH-01 (Eff 208511) 7700 (2801-8000)	Alternator & Waterpump. 329Dh-01	11.06
H80896HG	1	6600, 6329GH-02 (To 156500),	Alternator & Water Pump, 6329Gh-02,	7.98
H23950HG	2	6600, 7700	Auger, U-Joint Loading	47.28
H27433HG	3	6600, 7700	Clean Grain Elevator Countershaft	25.94
H77766HG	4	6600, 7700	Clean Grain Elevator	35.94
H81742HG	5	7700 404DH-04 (8001-163900)	Compressor, AC, 404DH-04	8.13
H80896HG	5	6600 (To 105800) 7700 404TH-01 (8001-163900)	Compressor, AC	7.98
H80897HG	5	7700 Gas (To 111900) 404DH-01 (To 8000)	Compressor, AC (Gas), 404DH-01	8.72
H77683HG	5	6600, 329 Diesel (105801-156500)	Compressor, AC, 329 Diesel	6.63
H86275HG	5	6600, 6329DH-01 (Eff 156501)	Compressor, AC, 6329DH-01	7.89
H87459HG	5	6600, 6404DH, 6404DH SH (To 305672) 7700 404DH-04 (Eff 163901)	Compressor, AC, 6404DH, 6404DH Sidehill	7.71
R71603HG	5	6600, 6404TH SH (To 310500) 7700 404TH-01 (Eff 163901)	Compressor, AC, 6404TH, 6404TH Sidehill	5.87
AH80505HG	6	6600 (To 821), 7700 (To 8000)	Cylinder 280-845 RPM	74.76
AH80503HG	6	6600 (To 821), 7700 (To 8000)	Cylinder 407-1228 RPM	48.47
H96423HG	6	6600 (13552-310500), 7700 (8001 up)	Cylinder 289-873 RPM SLOW SPD (INT SHAFT)	85.78
H96408HG	6	7700 (Eff 8001)	Cylinder 414-1250 RPM	64.05
H113749HG	7	6600 (To 310500), 7700	Cylinder, Intermediate Shaft	105.50
H161339HG	7	6600, 7700	Cylinder, Intermediate Shft, Heavyduty	123.84
H83077HG	8	6600, 7700	Cylinder Tachometer	5.06
H86271HG	9	6600 (To105800) (REPLACES H79237) 7700 404DH-01 (To 8000)	Engine Fan, 6404DH	8.12
H86272HG	9	6600	Engine Fan, 6329GH-02 & 6329DH-01	8.27
H84740HG	9	7700 404DH-04, 404TH-01 (8001-111900)	Engine Fan. 404DH-04, 404TH-01	13.29
H86273HG	10	6600, 6404TH, Sidehill (Eff 305673) 7700 404TH-01	Engine Fan & Rotary Screen Drive Shaft	8.26
H86274HG	10	6600, 6329GH-02 (To 156500), 6329DH-01	Engine Fan & Rotary Screen Drive Shaft	11.84
H137207HG	10	6600, 6404DH, Sidehill (to 305672) 7700 404DH-04	Engine Fan & Rotary Screen Drive Shaft	8.09
H86039HG	12	6600 (105801 up), 7700 (111901 up)	Rotary Deflector	10.68
H86061HG	12	6600 (To 105800), 7700 (1278-111900)	Rotary Deflector	10.58
H86259HG	13	6600, 7700	Rotary Screen	11.90
H77019HG	14	6600, 7700	Secondary Countershaft	53.87
H77010HG	15	6600, 7700	Shoe Grain Supply Augers	40.50
H138762HG	16	6600, 7700 (REPLACES H80103)	Strawchopper	46.91
H79789HG	17	6600, 7700	Straw Chopper, Rear	65.48
N110085HG	18	6600 (To 7500)	Tailings Lower Auger	47.85

Our quality replacement belts are not affiliated with original equipment manufacturers in any way.

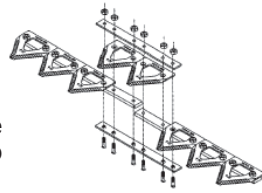
John Deere

PLATFORM

Sickles

200/900 Series

All our JD spliced sickles are Lite Super 7 extra heavy chrome top serrated! (less Head)



Part #	Description	Price \$
S352743	30' Chrome Sections	287.25
S352739	18' & 20' Chrome Sections	269.95
S352740	22' Chrome Sections	327.95
S352735	13' Chrome Sections	219.95
S352742	25' Chrome Sections	247.25
S352737	15' & 16' Chrome Sections	249.95
S352736	15' Chrome Sections	178.40
S352741	24' Chrome Sections	335.95
S352738	18 Chrome Sections	212.55

600 Series

Part #	Description	Price \$
S354609	20' Chrome Sections	456.95
S354610	25' Chrome Sections	565.95
S354611	30' Chrome Sections	690.95
S354612	30' Chrome Sections	783.95

Combine Sickle Sections

Type Key

US = Under Serrated

TS = Top Serrated

C = Chrome

R = Regular Gauge

H = Heavy 12 Gauge



Part #	Application	OEM #	Type	Wt.	Price \$
S203184	65, 95, 105, 1932 up	P49650H	TS-H	.2 lb	0.99
S204641	65, 95, 105, 1932 up	H21527H	TS-H-C	.2 lb	1.17
S204719	200 Series Platforms	H84413	TS-H	.2 lb	1.25
S204719	200 Series Platforms	H84415	TS-HC	.2 lb	1.25
S204317	Double Point 3"	Bolt On	TS-H-C	.2 lb	CALL
S204641	65, 95, 105, 1932 up	Z5664H	TS-R	.2 lb	1.17

Fingers



Part #	Description	Price \$
40600H	John Deere 200/900 Series	9.25
40628H	Hardware Kit	2.88
82475H	John Deere 600 Series Kit	11.75

Feed Plates

JD 200 Series

Part #	Size	Price \$
FP230	30' Poly Feed Plate Kit	594.95
FP213	13' Poly Feed Plate Kit	254.95
FP215	15' Poly Feed Plate Kit	293.95
FP216	16' Poly Feed Plate Kit	314.95
FP220	20' Poly Feed Plate Kit	415.95
FP222	22' Poly Feed Plate Kit	429.95
FP224	24' Poly Feed Plate Kit	474.95
FP225	25' Poly Feed Plate Kit	489.95
FP218	18' Poly Feed Plate Kit	354.95

Poly Bean Head Snoots

Part #	Application	Price \$
JD920PS	JD 200, 900 Series	1,395.00

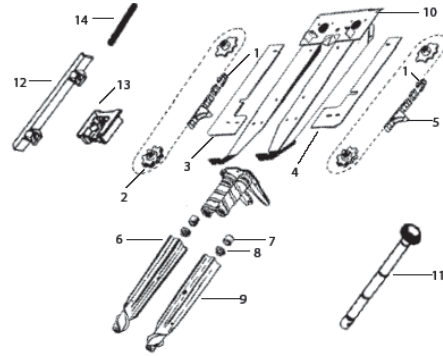


Combine Guards

Part #	Application	Price \$
MCM240A	Double Point Guard for all JD Platforms	8.15
MCM242	Dbl Point Guard with Attached Trash Bar 200 & 900 Platforms	CALL
MCM340	Triple Point Guard for all JD Platforms	18.60
MCM610	Triple Point (long/short/long) 600 Series	11.19
MCM615	Triple Point (short/long/short) 600 Series	11.19
MCM625	Hold Down for 600 Series	4.95

CORN HEAD

40 Series



Part #	Ref	Wt	Description	Price \$
H85252H	1	2.5 lbs.	Upper Gathering Drive Sprocket	14.95
AN102448H	2	2.0 lbs.	Lower Gathering Chain idler Sprocket (below Ser # 46650)	11.95
AH101219H	2	2.0 lbs.	Lower Gathering Chain idler Sprocket (above Ser # 46650)	11.95
N102068H	3	7.5 lbs.	Left and Right Hand Stripper Plate - Early 40 Series	19.25
H94952H	3	7.5 lbs.	Left and Right Hand Stripper Plate - Late 40 Series	19.66
AN102009H	5		Gathering Chain - All 40 Series	27.50
H104090H	6		Right Hand Stalk Roll - All 40 Series	64.95
JD9900H	7	.5 lb.	Stalk Roll Support Needle Bearing	10.27
AN102266H	8	.5 lb.	Stalk Roll Support Grease Seal	6.25
H104091H	9		Left Hand Stalk Roll - All 40 Series	64.95
AH143881H	11	4 lbs.	Drive Shaft w/Gear	82.91
N102802HS	12	4 lbs.	Steel Chain Guide	19.35
N102082H	12	6 lbs.	Cast Iron Chain Guide	37.62
N61703H	14	1 lb.	Tension Spring	4.95
N102082H	12	6 lbs.	Chain Guide Cast Iron	37.62
40SERGB	15	70 lbs.	Rebuilt Gear Box	850.00
UH84429H	13	7 lbs.	Used Front Idler Slide Support	CALL
H85252H	1	2.5 lbs.	Sprocket, Upper Gather Drive	14.95

40 Series

Snapping Rolls

For All John Deere 40 Series Heads



The real difference is in the price!

Part #	Wt.	Description	Price \$
H104091H	20 lbs.	Left Hand	64.95
H104090H	20 lbs.	Right Hand	64.95

Cast Iron Gathering Chain Guide



- Replaces standard Sheet metal Guide for more durability
- Fits All 40 Series Heads

Part #	Wt.	Price \$
N102082H	6 lbs.	37.62
N102802HS	4 lbs.	19.35

Rubber Cross Auger Paddle

- Fits All 40 Series John Deere Heads
- Made from new Rubber Stock with nylon Reinforcing, not old Tire Casings



Part #	Wt.	Price \$
H84583H	1 lb.	5.99

John Deere

CORN HEAD

Rubber Ear Savers

- Fits John Deere 40 Series Corn Heads
- Made in USA from new Nylon Reinforced Rubber Stock, not from old tires!



Part #	Wt.	Price \$
N101988H	.5 lb.	2.99

Snapping Roll Drive Shaft

- Fits All 40 and 90 Series John Deere Heads
- Solid Steel Shaft
- Precision Cut Gear



Part #	Wt.	Price \$
AH143881H	4 lbs.	82.91

90 Series

Deck Plates



Part #	Wt.	Description	Price \$
H154270H	9.0	Hard Surfaced Edged Right Hand or Left Hand Deck Plate	23.50
AH147773H	12.0	Hard Surfaced edged Left Hand Deck Plate with Hydraulic Adjust	67.95

Gathering Chains



Part #	Wt.	Description	Price \$
AH102009H	6.0	Gathering Chain w/Standard Pins for JD 90 Series	CALL
AH136671H	6.0	Gathering Chain w/Chrome Pins for JD 90 Series	49.95

Snapping Rolls



Part #	Wt.	Description	Price \$
H150138H	25.0	90 Series Cornheads w/straight Cast Rolls Left Hand	100.00
H150139H	25.0	90 Series Cornheads w/straight Cast Rolls Right Hand	100.00

900/200 Series Dividers

Part #	Description	Price \$
AH128368H	Right Hand	829.69
AH128369H	Left Hand	829.69

Hydraulic Adjustable Deck Plates

900 Series

Part #	Description	Price \$
JD90630HDPK	30" 8 ROW ASSEMBLY	2,395.00
JD90830HDPK	30" 12 ROW ASSEMBLY	3,095.00
JD901230HDPK	Rear Side Fender Hi Tin Right Hand	4,495.00

Complete Polytin Kits for Cornheads

Part #	Application	Price \$
PTK630JDAH	6 Row 30" for JD643 Hi/Lo Tin	2995.00
PTK436JDAH	4 Row 36" for JD444 Hi/Lo Tin	2350.00
PTK830JDAH	8 Row 30" for JD843 Hi/Lo Tin	3895.00

Polytin



Part #	Application	Wt.	Description	Price \$
PLHF40A	30" to 40" rows	Call	Left hand fender	342.47
PCT40	30" to 40" rows	25	Corn shield	137.55
PS3040A	30" rows	25	Center snout	159.10
PRHS40A	30" to 40" rows	20	Right hand snout	149.75
PRHF40A	30" to 40" rows	Call	Right hand fender	342.47
PD3040A	30" rows	47	Center divider	337.20
PLHS40A	30" to 40" rows	20	Left hand snout	149.75

Polytin Replacement Parts

The Polytin Advantage:

- Less Cost
- Needs No Paint
- Stands More Abuse Than Tin
- Replaces OEM Parts With No Or Little Change
- Less Crop Sticking
- Less Weight
- Stainless Steel Reinforcing for Longer Wear

Part #	Description	Price \$
PW30R	RH Snout N/W rows IH & JD	17.95
PW31R	30" RH CENT SNOOT IH & JD	17.10
PW36L	36" LH CENT SNOOT IH & JD	17.75
PW31L	30" LH CENT SNOOT IH & JD	17.10
PW36R	36" RH CENT SNOOT IH & JD	17.75
PW30L	LH Snout N/W rows IH & JD	17.95
71364963NP	Stainless Steel Wear Strips	19.71

Snoots

Part #	Description	Price \$
AH109667H	Outside LH Hi Tin also Fits 50 & 50A Series Row Crop Bean Head	193.75
AH129768H	Narrow Row 50-50A Series Row Crop Head w/point	261.93
AH109666H	Outside RH Hi Tin also Fits 50 & 50A Series Row Crop Bean Head	193.75
H85104H	Outside Snoot Skid	16.95
H84480H	Center Snoot Point	15.95
AH103631H	Outside Snoot Point	26.95
AH115403H	Outside L.H. Low Tin w/o point	208.95
AH129764H	Narrow Row Center Snoot no point	177.89
AH129766H	Wide Row Center Snoot no point	236.75
AH129769H	Wide Row 50-50A Series Row Crop Head w/point	316.25
AH115402H	Outside R.H. Low Tin w/o point	199.95

Rear Fenders

Part #	Description	Price \$
H82434H	Rear Side Fender Hi Tin Right Hand	630.25
H82435H	Rear Side Fender Hi Tin Left Hand	630.25
AH118342H	Rear Side Fender Low Tin Right Hand	630.77
AH118343H	Rear Side Fender Low Tin Left Hand	630.77

Poly Corn Head Trough Lining

Part #	Application	Wt.	Price \$
PL444	444/494	25	312.30
PL843	843/893	35	466.75
PL844	844/894	40	513.05
PL643	643, 693 & 693SH	30	337.65

Corn Head Trough Repair Panels

- Other makes and models available—Just Call



Part #	Make & Model	Wt.	Description	\$
51H	JD 643 ↑ SN 332701	11 lbs.	Bottom Right	CALL
146025H	Bottom Trough JD ↓ SN 467620	45 lbs.	Bottom Trough	153.95
82817H	JD 643 ↓ SN 332700	11 lbs.	Bottom Right & Left	64.35
102585H	JD 843	23 lbs.	Bottom Left	101.83
102584H	JD 843 ↓ SN 332700	23 lbs.	Bottom Right	101.83
82H	JD 843 ↑ SN 332701	23 lbs.	Bottom Right	CALL
124153H	JD 443 ↑ SN 467621	45 lbs.	Bottom Trough	CALL

Gathering Chains



Part #	Wt.	Description	Price \$
AN100651H	12	234, 334, 434, 634, CA2060 78 links	69.95
AN102009H	6	Fits all 40 Series Heads Endless	27.50
AH136671H	7	JD40 & 90 Series Heads w/chrome pins	49.95
AN100720H	12	235, 335, 435, 635 CA555 72 links	114.95

Corn Gathering Chain Drive Sprockets

Part #	Model Application	Avg. Wt.	Price \$
H85252H	40 Series	2	14.95

Lower Idler Sprockets

Part #	Application	Wt.	\$
AN102448H	40 Series Heads below SN 466450 - 5/8" Bore	2	11.95
AH101219H	40 Series Heads above SN 466451 - 5/8" Bore	2	11.95

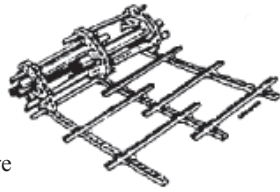


Massey Ferguson

FEEDER HOUSE

Feeder Chains

- Made in North America
- Heavy duty construction
- Bolted, not riveted
- Chain size is CA550 for all listed here
- Weight is in lbs.



Part #	Application	Chain	Links	Center to Center on Sprockets	Wt.	Price \$
278626MH	760, 860	CA550	81	17 15/16	222	830.99
278611MH	8560, 8570	CA557	125	19 1/4"	240	847.91
71449018H	8590, white 9700, 9720	CA557	112	21 1/8"	159	747.41
260273WH	750, 850	CA550	81	14 7/8"	166	CALL

Feeder Chain Sprockets

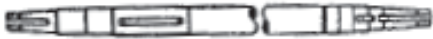
Part #	Wt.	Description	Price \$
243500MH	3	410, 510, 540, 550, 14 teeth	70.95



Replacement Conveyor Drums

Part #	Application	Wt.	Price \$
260094MH	MF 410 & 540 Q.A.	39	255.00
268835MH	MF 550 above 5947	50	303.25
278646MH	MF 750 & 850	66	360.80
278643MH	MF 760 & 860	70	310.30

Feeder Paddle Shafts



Part #	Wt.	Description	Price \$
258129MH	10.0	Feeder House MF750 (3 per machine) 1-1/2" dia. x 57-5/16" long	155.41
832087MH	.5	Bearing for above shaft	22.62
273001MH	45.0	65.5 long 760, 860 Bottom	CALL
284877MH	40.0	850 Top Shaft 58.250 long	244.69
832087MH	.5	Bearing LH & RH same	22.62
273002MH	45.0	MF760 (3 per machine) 1-3/4" dia. x 65 3/16" long	102.73
831822MH	.5	Bearing for above	10.96
833741MH	1.0	Bearing for above shaft	30.60

Sprockets now available for paddle shafts

Header Drive Shafts/Paddle Feeder



Part #	Wt.	Description	Price \$
842874MH	.5	Bearing LH & RH side for shaft above	35.38
274049MH	40.0	760, 860 70.125" long	219.95
832087MH	.5	Bearing LH side for shaft above	22.62
352976XH	.5	Bearing RH side for shaft above	17.29
258159MH	40.0	750, 850 70.125" long	253.82

Header Drive Shafts/Slat Feeder

Part #	Wt.	Description	Price \$
268317MH	7.0	510, 540, 550 1 3/4 x 12 1/2	122.95
831087MH	.5	Bearing, RH on both shafts above	14.27
831822MH	.5	Bearing, LH on both shafts above	10.96
268316MH	9.0	410, 540, 550 1 3/4 x 16 1/4	CALL

Header Drive Shaft Coupler Parts

Female Coupler

Part #	Description	Price \$
470040MH	Female coupler only.	56.70

Male Coupler

Part #	Description	Price \$
249674MH	Male coupler only.	91.52

Coupler Pin

Part #	Description	Price \$
249675MH	Coupler pin.	11.29



Combine Rubber Paddle Blades

Don't let worn out paddles limit your combine capacity.
Made from new multi-ply conveyor belting.
Easier to Install — the blades lay flat.
Exceeds OEM specs



Part #	Description	Price \$
293100MH	Used on 760, 860. Two used on Top Shaft	24.93
293033MH	Used On Combine Models 760 & 860. Eight used. Not for Top Shaft 56.5" 9 Holes	24.93
293054MH	Used On Combine Models 750, 850. Eight used. Not for Top Shaft 47 .25" 8 Holes	24.27
293179MH	Used On Combine Models 750, 850. Two used Per Machine on Top Shaft	23.40

THRESHING

Chrome Bar

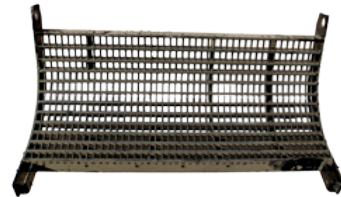
Part #	Model	Wt.	Description	Price \$
K12055C	750, 850, 850 *	107 lbs.	Angle set of 8	593.13
K12067C	510, 550 *	89 lbs.	Angle set of 8	CALL
K12056C	760, 860 *	112 lbs.	Angle-5 hole set of 8	643.50

* Hi-Inertia (Cast Iron Spiders)

Standard Bar

Part #	Model	Wt.	Description	Price \$
K12054	760 Steel spiders	114 lbs.	Angle-7 hole set of 8	353.70
K12026	410	71 lbs.	Angle set of 8	217.54
K12027	510, 550	88 lbs.	Angle-9 1/2" c to c of holes set of 8	283.25
K12066	540	77 lbs.	Angle set of 8	241.35
K12067	510, 550 *	89 lbs.	Angle set of 8	308.88
K12053	750 Steel spiders	104 lbs.	Angle set of 8	304.21
K12055	750, 850, 850 *	107 lbs.	Angle set of 8	390.90
K12056	760, 860 *	112 lbs.	Angle-5 hole set of 8	480.67

Concaves



Part #	Application	Price \$
KC9700	9700, 9720, 8590 7 pieces	CALL
KC510	510 & 550 MF	724.95
KC750	750 MF Wide Space	1,224.95
KC760	760 MF Wide Space	786.10
KC410	410 Ser #11754 ↑, All 540	508.48
KC850	850 MF Wide Space	814.35
KC860	860 MF Wide Space	828.95

GRAIN HANDLING

Combine Grain Pans

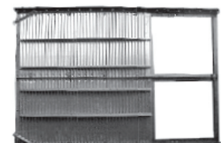
MF Front Pans

Part #	Application	Avg. Wt.	Price \$
271481MH	760 Front Pans left	7 lbs.	113.69
272551MH	760 Front Pans right	7 lbs.	114.31
283011MH	750, 850 left Pan	7 lbs.	119.95
283010MH	750, 850 right Pan	7 lbs.	119.95
253357MH	750, 850 early Pans	7 lbs.	133.25
269860MH	510, 550 2 front Pans	7 lbs.	100.00

MF Grain Pans

Require Freight Quote

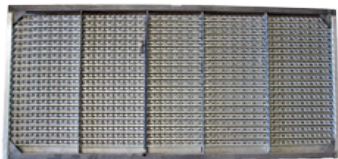
Part #	Application	Price \$
283004MH	760, 860 Pan complete	1,107.95
283006MH	750, 850 Pan complete	1,055.00
269859MH	510, 550 Pan complete	928.25



Massey Ferguson

GRAIN HANDLING

Sieves



Part #	Application	Price \$
2527183WH	8560, 8570	1,108.82
2512023WH	8590, 9700, 9720	785.63

Seive Frame Shaker Shaft



Part #	Wt.	Description	Price \$
271470MH	61.0	MF760 & 860 2" dia. x 68-1/4" long	CALL
253352MH	52.0	MF750 & 850 1-3/4" dia. x 57-1/2" long	378.60

Straw Walkers

Part #	Description	Price \$
283146MH	Fits Model 860	632.98
283147MH	Fits Model 850	579.42
258722MH	Fits Model 750	643.10
273745MH	Fits Model 760	611.90

*MF walkers have supports welded in the front end so they can be cut to fit either left or right hand side.

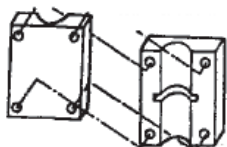
Straw Walker Grating



Why replace your entire Straw Walker if only your grates are bad?
Our Grates are 4' long and weigh approx. 5 lbs.

Part #	Application	Length	Price \$
MF8041	850, 750	4'	95.65
MF8040	860, 760	4'	95.65
MF271183MH	860, 760 Front Section	39 1/2"	CALL
MF235010MH	850, 750 Front Section	39 1/2"	CALL

Straw Walker Blocks Kits



Part #	Application	Price \$
836784MH	510, 550	33.95
836784MH	750, 850	33.95
836751MH	760, 860	38.04
822863MH	410	CALL

Chopper Knife Kits

- All kits contain hardware and bushings
- Made in U.S.A.
- Heat treated and tungstun coated to exceed OEM!
- Free Freight in quantities of 4 or more. Individual Kit wt avg. 4 lb.



Part #	OEM #	Application	Qty.	Length	Width	Price \$
SCKK100	837030M1	MF	3	6-7/16	4-5/8	17.69
SCTK110	041155M1	MF Stationary Tooth Any of Above	1			7.25

Clean Grain Augers

Part #	Application	Wt.	Price \$
273615MH	760 And 860	52 lbs.	325.98
250600MH	510 And 550	38 lbs.	311.95
258839MH	750 And 850	44 lbs.	387.20

Clean Grain Elevator Chains

Part #	Application	Links	Paddle Size	Wt.	\$
270725MH	760, 860	172	5 11/16" x 3 1/2"	52	460.95
253167MH	750, 850	140	5 11/16" x 3 1/2"	47	331.02
102817MH	8560, 8570, 8590, 8780, 9700, 9720	146	9 1/2" x 3 1/8"	45	403.41

Clean Grain Elevator Sprockets

Lower

Part #	Application	Shaft Size	# Teeth	Price \$
255806MH	760, 860	1.25	8	32.60
2571510WH	750, 760, 850, 860, 8560, 8570	1.5	11	54.95
255806MH	750, 850	1.25	8	32.60
250602MH	510, 550	1.06	8	CALL
222117MH	410, 540	1.0	8	19.74

Upper

Part #	Application	Shaft Size	# Teeth	Price \$
240973MH	410, 540	1.0	8	41.67
255806MH	760, 860	1.25	8	32.60
255806MH	750, 850	1.25		32.60
2412960WH	750, 760, 850, 860, 8560, 8570	1.25	11	92.47
240973MH	510, 550	1.0	8	41.67

Return Elevator Chains

Part #	Application	Links	Paddle Size	Wt.	\$
2615233WH	8570, 8780, Early 9690 & 9790	128	5 5/8" x 3 1/8"	33	393.24
253665MH	750, 760, 850, 855, 860	57	3 5/8" x 3 5/8"	35	190.97

Return Elevator Sprockets

Lower

Part #	Application	Shaft Size	# Teeth	Price \$
270277MH	750, 850	1.06	8	33.61
248503MH	510, 550	1.0	8	38.67
270277MH	760, 860	1.06	8	33.61
255806MH	750, 760, 850, 860	1.125	8	32.60
9863030WH	8560, 8570	1.125	8	29.95
222117MH	410, 540	1.0	8	19.74

Upper

Part #	Application	Shaft Size	# Teeth	Price \$
240973MH	410, 540	1.0	8	41.67
240973MH	510, 550	1.0	8	41.67
270277MH	750, 850	1.06	8	33.61
9863040WH	8560, 8570	1.125	8	57.89
270277MH	760, 860	1.06	8	33.61
255806MH	750, 760, 850, 860	1.125	8	32.60

Vertical Unloading Augers



Double flighted auger gives more durability and longer life for less money than JD standard auger!

Part #	Wt.	Description	Price \$
265121MH	100	MF 760-860	745.30
259819MH	80	MF 750-850	718.95

Other Vertical Augers Available for Gleaner, Massey, White
*Prices Subject To Change, Call To Verify Current Prices.

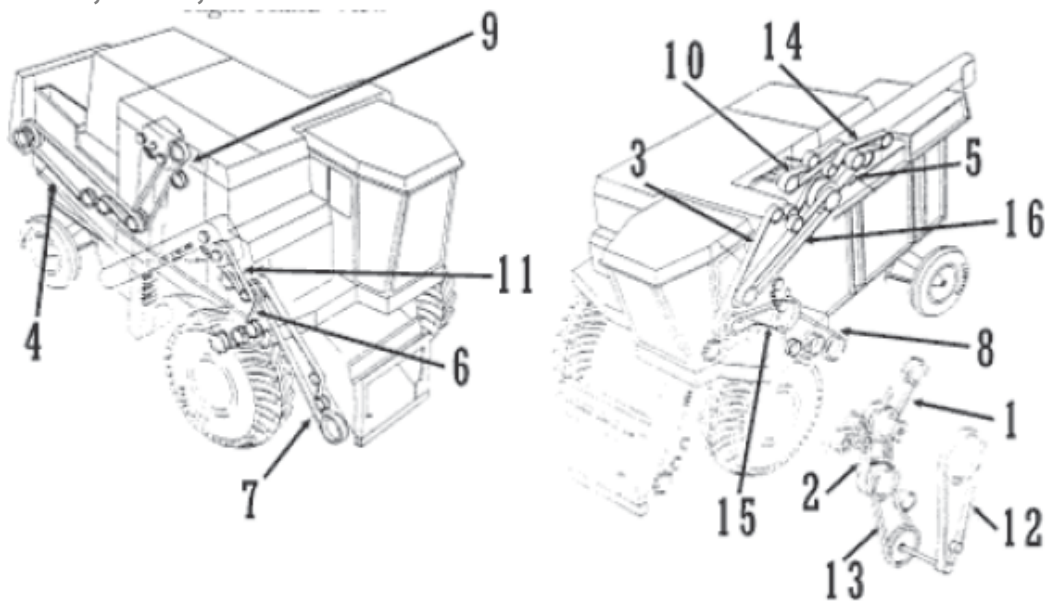
Rubber Unloading Auger Spout

Part #	Application	Wt.	Price \$
278573MH	750, 850, 760, 860 wrap around the front	7 lbs.	CALL
265463MH	750, 850, 760, 860 angled forward	7 lbs.	CALL

Massey Ferguson

BELTS

8560, 8570, 8780, 9690, 9790



Part #	Ref	Fits	Description	Price \$
525906MHG	1	8560	A/C Compressor Drive	8.84
531603MHG	1	8570, 8780 (To MJ87101)	A/C Compressor Drive	9.39
71148120HG	1	8780 (MJ87101 up), 9690, 9790	A/C Compressor Drive	9.21
2634420WHG	2	8560	Alternator & Fan Drive	56.23
1076753MHG	2	8570	Alternator & Fan Drive	22.52
111677WHG	2	8780	Alternator & Fan Drive	36.51
3912004HG	2	9690	Alternator & Fan Drive	CALL
72515591HG	2	9790	Alternator & Fan Drive	CALL
2624390WHG	3	8560, 8570, 8780	Beater Drive	124.16
71386352HG	3	8780 (W55101-HL87999), 9690	Beater Drive - 175.3"	CALL
71388216HG	3	9790	Beater Drive	197.53
1781280WHG	4	8560	Chopper Drive	94.51
1680230WHG	4	8560, 8570, 8780, 9690, 9790	Spreader Drive	56.91
103320MHG	4	8570, 8780	Chopper Drive	CALL
71388712HG	4	8780 (W55101-HL87999), 9690, 9790	Chopper Drive	61.11
1594240WHG	5	8560, 8570, 8780	Countershaft Drive 123"	100.89
71385693HG	5	8780 (To MJ87101)	Countershaft Drive 125.5"	141.87
71387775HG	5	8780 (MJ87101 up)	Countershaft Drive 138.5"	126.21
71390188HG	5	9690, 9790	Countershaft Drive 143"	90.22
2612330WHG	6	8560, 8570, 8780	Fan Drive, Vari-Speed	47.49
71394352HG	6	9690, 9790	Fan Drive, Vari-Speed	76.81
2621170WHG	7	8560, 8570	Feeder Drive	158.72

Part #	Ref	Fits	Description	Price \$
108190WHG	7	8780	Feeder Drive, 217.9" (3 Banded)	158.78
71379124HG	7	8780	Feeder Drive, 209"	145.60
71379105HG	7	8780, 9690, 9790	Feeder Drive, 217.9" (4 Banded)	170.92
227455MHG	8	8560, 8570, 8780, 9690, 9790	Grain Elevator Drive	38.04
227455MHG	9	8560, 8570, 8780, 9690, 9790	Jackshaft Drive, Spreader	38.04
103319MHG	9	8570, 8780 (To MJ87101)	Jackshaft Drive, Chopper	41.74
71385837HG	9	8780 (MJ87101 up), 9690, 9790	Jackshaft Drive, Chopper	41.46
9811830WHG	10	8560, 8570	Propulsion Pump Drive	68.66
71390209HG	10	9790	Propulsion Pump Drive	65.82
2619760WHG	11	8560, 8570, 8780 (To MJ87101)	Return Elevator Drive	16.42
71385801HG	11	8780 (MJ87101 up), 9690, 9790	Return Elevator Drive	31.84
1764410WHG	12	8560, 8570, 8780	Rotary Screen Drive	15.14
2634420WHG	13	8560	Rotary Screen "C" Shaft	56.23
2624080WHG	13	8570	Rotary Screen "C" Shaft	17.12
104259WHG	13	8780	Rotary Screen "C" Shaft	10.39
1669570WHG	14	8560	Rotor Drive	66.11
9811830WHG	14	8570	Rotor Drive	68.66
111954WHG	14	8780	Rotor Drive	105.38
71390210HG	14	9690, 9790	Rotor Drive	CALL
2593000WHG	15	8560, 8570, 8780	Shaker Shoe Pitman Drive	56.87
71390199HG	15	9690, 9790	Shaker Shoe Pitman Drive	63.75
101102MHG	16	8560, 8570, 8780, 9690, 9790	Unloader	76.61

COMBINE

Massey Ferguson

PLATFORM

Combine Sickle Sections

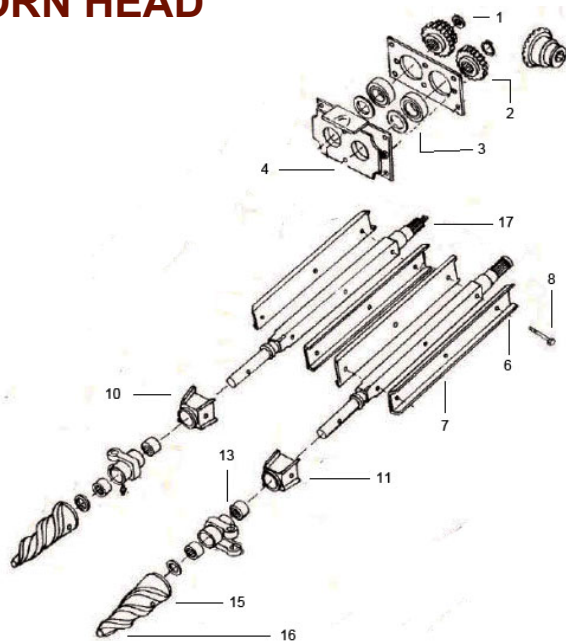


Part #	Application	OEM #	Type	Avg. Wt.	Price \$
S204462	Double Point 3"	Bolt On	TS-H-C	.2 lb	1.18
S204269	1486002394	160255M2H	TS-H	.2 lb	1.32
S204675	1954 up, 300, 410, 510 1963 up prior to	160255M2 216607M2H	TS-R	.2 lb	1.16

Combine Guards

Part #	Description	Price \$
MCM231	Double Point Guard for MF Platforms with Hart Carter Bars	9.15
MCM240A	Double Point Guard for all Platforms with Rigid Bars	8.15
MCM340	Triple Point Guard for All Rigid Platforms	18.60

CORN HEAD



Part #	Item	Wt.	Description	Price \$
263169MH	1	6	Snapping Roll Drive Gear Assembly - 44-1100 Series	158.95
262175MH	2	6	Left Hand Snapping Roll Drive Spur Gear - MF 44-1100 Series	41.33
833356MH	3	1	Snapping Roll Drive Upper Bearing - (2 Per Row)	26.10
1075208MH	4	5	Upper Bearing Retainer 100 Series	89.95
263453MH	--	12	RH Stripper Plate 22-1100 Series	66.35
12LN	6	0.1	1/2 Lock Nut	0.15
264687MH	7		Snap Roll Flute - 44-1100 Series	16.88
12214	8	0.1	1/2 X 2 1/4 Grade 5 Bolt	0.45
263450MH	9	12	LH Stripper Plate 22-1100 Series	61.50
267392MH	9	15	LH Stripper Plate - 1100 Series	66.35
267500MH	10	6	Snapping Roll Head - 1100 Series	29.85
241090MH	--	6	Gathering Chain - All 44-1100	49.95
834475MH	13	1	Lower Needle Bearing for Snapping Roll Shaft - 44-1100 Series	14.82
263282MH	--	2	Lower Idler Sprocket - 1/2" Bore 8 Tooth For Early MF Heads	32.71
844076MH	--	2	Lower Idler Sprocket - 5/8" Bore 8 Tooth For Late MF Heads	28.26
34H336	15		5/16 X 2 3/8 Heavy Duty Roll Pin (1100 Series Uses (1) 5/16 X 1 3/4 and (1) 3/16 X 1 3/4)	0.78
34H335	16		5/16 X 2 1/8 Heavy Duty Roll Pin	0.71
147654MH	17	10	Right Hand Stalk Roll (Threaded on end) - 1100 Series	116.22

Snoots



Part #	Description	Price \$
264573MH	Wide Row Center Point	33.45
267274MH	1100 Series Outside Left Hand	227.95
267620MH	1100 Series Narrow Row Left Hand Center	131.50
267621MH	1100 Series Narrow Row Right Hand Center	131.95
267724MH	1100 Series Wide Row Left Hand Center	149.95
267725MH	1100 Series Wide Row Right Hand Center	153.41
264623MH	33, 43, 63, 83 Low Profile Narrow Row Left Hand Center	127.95
264612MH	33, 43, 63, 83 Low Profile Narrow Row Right Hand Center	127.80
264574MH	24, 34, 44, 64 Low Profile Wide Row Left Hand Center	106.95
264580MH	24, 34, 44, 64 Low Profile Wide Row Right Hand Center	106.95
264626MH	Narrow Row Center Point	33.50
267275MH	1100 Series Outside Right Hand	227.95

Rear Fenders

Part #	Description	Price \$
267932MH	1100 Left Fender	536.95
267933MH	1100 Right Fender	536.95

CornHead Knives



Part #	Application	Wt.	Price \$
267513MH	R.H. Snapping Roll Vine Knife for MF1100	3	19.62
267514MH	L.H. Snapping Roll Vine Knife for MF1100	3	19.62
264687MH	MF Nnew Style 1100 Series	3	16.88

Long Dividers

Part #	Description	Price \$
147031MH	1859/9000 Right Hand	658.95
147030MH	1859/9000 Left Hand Ser #E000276↓	CALL
148300MH	9000 LH Ser #E000276↑	578.95

Corn Head Trough

Repair Panels

- These Repair Panels fit MF 1163
- Weighs approx. 33 lbs
- Other model troughs can be made to order

Part #	Description	Price \$
267684H	Bottom Left	150.00
267685H	Bottom Right	151.95

Gathering Chains



Part #	Wt.	Description	Price \$
241090MH	6	Fits all MF Heads CA2060H	49.95

Drive Sprockets

Part #	Model Application	Wt.	Price \$
1761290WH	9000 Series	2	36.62
262208MH	1100 Series	2	CALL

Lower Idler Sprockets

Weights approx. 2 lbs.

Part #	Application	Price \$
263282MH	Early MF Heads 8 tooth 1/2 Bore	32.71
844076MH	Late MF Heads 8 tooth 5/8 Bore 1100 Series	28.26



Rubber Ear Savers

Part #	Application	Wt.	Price \$
265510MH	All	.75 lb.	5.16



New Holland

FEEDER HOUSE

Feeder Chains

Part #	Application	Center to Center Sprockets	Wt	Price \$
772018H	TR75-TR99 - 37 1/4" overall width chrome pins slat every 2nd link	17 1/8	140	740.62
95724CH	95, 96, 1529378 - 45 1/4" overall width chrome pins, slat every 2nd and 4th	21 1/8	240	912.49
9623770H	95, 96, 1529378 - 45 1/4" overall width chrome pins, slat every 2nd link	21 1/8	230	941.76
86523261H	TR75-TR99 - 37 1/4" overall width chrome pins slat every 2nd and 4th	17 1/8	150	849.49
769672H	TR70, 75, 85 - 38 1/2" overall width chrome pins slat every 2nd link	15 1/4	210	750.84
701724CH	TR70, 75, 85 - 38 1/2" overall width chrome pins slat every 2nd and 4th	15 1/4	220	941.76

THRESHING

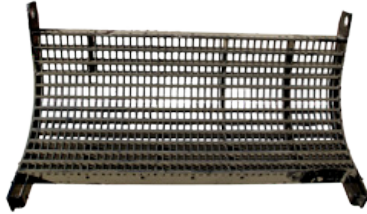
Chrome Bar

Part #	Model	Wt.	Description	Price \$
ONH95C	TR95, 96	43 lbs.	12L&12R Chrome Flat	854.95
K12075C	TR 70, 75, 85	120 lbs.	4L, 4R Flat, 4L, 4R Angle 95 Ser #501850	CALL

Standard Bar

Part #	Model	Wt.	Description	\$
ONH95H	TR95, 96	43 lbs.	12L&12R Chrome Flat	CALL
K12075	TR 70, 75, 85	120 lbs.	4L, 4R Flat, 4L, 4R Angle 95 Ser #501850	469.95

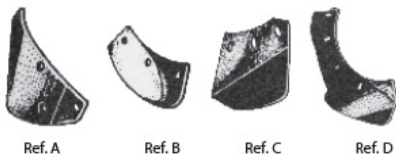
Concaves



Part #	Application	Price \$
KCTR75	TR75 & TR85 (Set of 2)	1,292.17
KCTR70	TR70 (Set of 2)	1,224.48

Wear Bar

Ford/ New Holland



Part #	Ref.	Model Application	# of Bars Required	Wt.	Price \$
WBNH5H	D	76, 85, 86, 95, 96, Hardened	4, 2 LH & 2 RH	18	CALL
WBNH4H	C	76, 85, 86, 95, 96, Hardened	4, 2 LH & 2 RH	10	CALL
WBNH2H	B	70, 75, 76, 85, 86, 95, 96, Hardened	8, 4 LH & 4 RH	10	CALL
WBN-BH1H	A	70, 75, 76, 85, 86, 95, 962, Hardened	4, 2 LH & 2 RH	16	CALL

GRAIN HANDLING

Combine Grain Pans

Replacement Grain Pan Material

Part #	Application	Avg. Wt.	Price \$
1040NH	New Holland 70, 75, 85, 86, 87, 88	15 lbs.	376.12

GRAIN HANDLING

Chopper Knife Kits

- All kits contain hardware and bushings
- Made in U.S.A.
- Heat treated and tungstun coated to exceed OEM!
- Free Freight in quantities of 4 or more. Individual Kit wt avg. 4 lb.



Part #	OEM #	Application	Qty.	Length	Width	Price \$
SCKK100	277056	NH	3	6-7/16	4-5/8	17.69
SCKK100	88374	NH	3	6-7/16	4-5/8	17.69
SCKK100	276819	NH	3	6-7/16	4-5/8	17.69
SCKK100	624590	NH	3	6-7/16	4-5/8	17.69
SCKK100	624508	NH	3	6-7/16	4-5/8	17.69
SCTK110	271580M	NH Stationary Tooth Any of Above	1			7.25
688331H	688331	NH, TR86, TR87, TR95, TR96, TR97	3	7	2-1/4	21.71
688331H	688331	N.H.	3	Not Triangular		21.71

Clean Grain Augers



Part #	Application	Wt.	Price \$
86512656H	TR75, 85, 86, 87, 88	40	398.68
703734H	TR89, 95, 96, 97, 98, 99	57	238.60

Clean Grain Chains

Part #	Application	Chain Size	Links	Paddle Size	Wt.	Price \$
782440H	86, 87, 95, 96, 97	550	78	7" x 3 5/16"	39	188.14

Clean Grain Elevator Sprockets

Lower

Part #	Application	Shaft Size	#Teeth	Price \$
773824H	95, 96, 97, 98, 99	1.125	9	68.06
784744H	TR70, 75, 85	1.0	9	44.59

Upper

Part #	Application	Shaft Size	#Teeth	Price \$
784744H	TR70, 75, 85	1.0	9	44.59
773824H	95, 96, 97, 98, 99	1.125	9	68.06

Return Grain Augers



Part #	Application	Wt.	Price \$
703721H	TR95 below 501600	48 lbs.	258.48
9610758H	TR95 above 501601	53 lbs.	CALL
86531534H	TR70, 75, 76, 85, 86, 87, 88	45 lbs.	366.03

Return Elevator Chains

Part #	Application	#Link	Paddle Size	Wt.	Price \$
248044H	TR70, 75, 85, 86, 87, 88	129	4 1/4" x 3 3/8"	37	202.04
704250H	TR89, 95, 96, 97, 98, 99	116	4 1/4" x 3 3/8"	37	197.20

Return Elevator Sprockets

Lower

Part #	Application	Shaft Size	#Teeth	Price \$
773824H	87, 95, 96, 97—most common used	1.125	9	68.06
784744H	TR70, 75, 85	1.0	9	44.59

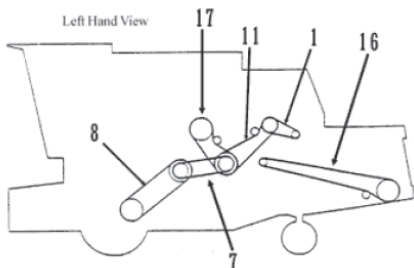
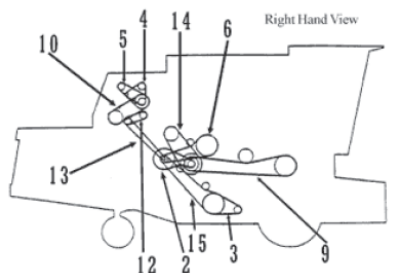
Upper

Part #	Application	Shaft Size	#Teeth	Price \$
784744H	87, 95, 96, 97—most common used	1.0	9	44.59
784744H	TR70, 75, 85	1.0	9	44.59

New Holland

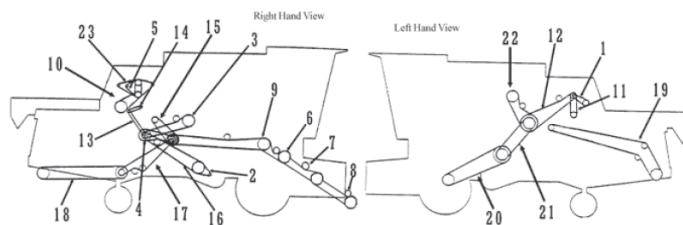
BELTS

TR70



Part #	Ref	Description	Price \$
577240HG	1	A/C (Ford Diesel)	10.68
264557HG	1	A/C (Gas & Cat Diesel)	13.85
577900HG	2	Beater Drive	28.37
792809HG	3	Cleaning Fan Drive	53.93
254084HG	4	Fan & Alternator (Cat Diesel) TR70 (Prior S/N 293492)	14.39
626654HG	4	Fan & Alternator (Cat Diesel) TR70 (Eff S/N 293493)	15.33
576774HG	4	Fan & Alternator (Ford Diesel)	CALL
266209HG	5	Governor (Gas Engine)	10.98
703747HG	6	Grain Elevator Drive	32.60
717700HG	7	Ground Speed Vari-Drive	108.34
268612HG	8	Ground Speed, Hydro Drive	123.03
636645HG	8	Ground Speed, Vari Drive	206.75
246980HG	9	Header Drive	109.28
576772HG	10	Hydraulic Pump Drive (Ford Dsl Eng)	15.72
248332HG	10	Hydraulic Pump Drive (Gas & Cat Diesel)	24.77
246978HG	11	Main Drive, (Gas & Cat Diesel)	151.39
576771HG	11	Main Drive, (Ford Diesel)	136.03
696719HG	12	Rotary Screen Drive	7.21
246771HG	13	Rotary Screen, Jackshaft Drive	10.11
254093HG	14	Rotor Drive	197.56
715785HG	14	Rotor Drive (Opt For High Speed)	153.84
785415HG	15	Shaker Shoe Drive	114.82
246727HG	16	Straw Spreader - TR70 (to 299959)	37.25
230143HG	16	Straw Spreader - TR70 (299960 and up)	38.84
578206HG	16	Straw Chopper Drive TR70 (Prior SN 300588)	32.54
246727HG	16	Straw Chopper Drive - TR70 (SN 300589 and up)	37.25
247782HG	17	Unloading Auger Drive	36.16

TR75/85



Part #	Ref #	Application	Description	Price \$
259346HG	1	TR75 (403001 up), TR85 (310401 up)	Air Compressor, 48"	13.88
577240HG	1	TR75 (to 403000), TR85 (to 310400)	Air Compressor, 54.5"	10.68
264557HG	1	TR75 (to 403000), TR85 (to 310400)	Air Compressor, 52.75"	13.85
792809HG	2	TR75, TR85	Cleaning Fan, Vari-Drive 58" Standard	53.93
624398HG	2	TR75, TR85	Cleaning Fan, Vari-Drive 46" Slow-Down	44.51
703747HG	3	TR75, TR85	Clean Grain Elevator Drive	32.60
577900HG	4	TR75, TR85	Discharge Beater	28.37
647901HG	5	TR75, TR85	Engine Fan (W/Cat Engine)	21.30
772654HG	5	TR75, TR85	Engine Fan (Ford Engine)	16.89
620944HG	6	TR75 (to 403276), TR85 (to 404301)	Feeder Drive	71.08
621367HG	7	TR75(304740-403725) TR85(308000-404264)	Feeder Drive, Fixed Speed	71.31
849514HG	7	TR75 (403301 up), TR85 (404301 up)	Feeder Drive, Variable Speed	218.65
632890HG	8	TR75(304740-403725) TR85(308000-404264)	Feeder Drive, Variable Speed	89.07
849514HG	8	TR75 (403301 up), TR85 (404301 up)	Feeder Drive, Variable Speed	218.65
246980HG	9	TR75 (to 403276), TR85 (to 404264)	Header Drive, 167"-9/32"	109.28
682008HG	9	TR75 (403301 up), TR85 (404301 up)	Header Drive, 193"	190.25
248332HG	10	TR75, TR85	Hydraulic Pump Drive (W/Cat Engine)	24.77
576772HG	10	TR75	Hydraulic Pump Drive (Ford Engine)	15.72
259477HG	11	TR75 (to 403000), TR85 (to 310400)	Hydrostatic Charge Pump	14.27
246978HG	12	TR85 (Prior S/N 403000)	Main Shaft Drive	151.39
795009HG	12	TR75 (403001 up), TR85(403001 up)	Main Shaft Drive, Standard Traction	165.07
576771HG	12	TR75 (Prior S/N 403000)	Main Shaft Drive	136.03
612305HG	13	TR75, TR85	Rotary Screen, Lower 68.3"	11.19
610767HG	13	TR75, TR85	Rotary Screen, Lower 65.75"	19.11
716254HG	14	TR75, TR85	Rotary Screen, Upper	21.79
717700HG	15	TR75, TR85	Rotary Vari-Drive	108.34
86518571HG	15	TR75(to 304699), TR85 (to 307999)	Rotary Vari-Drive, Hi- Speed	215.48
86518570HG	15	TR75(304700 up), TR85 (308000 up)	Rotary Vari-Drive, Standard	157.18
785415HG	16	TR75, TR85	Shaker Shoe Drive	114.82
717075HG	17	TR75, TR85	Straw Chopper, Front	40.89
614040HG	18	TR75, TR85	Straw Chopper, Rear	52.36
230143HG	19	TR75, TR85	Straw Spreader Drive	38.84
246727HG	19	TR75, TR85	Straw Chopper Drive	37.25
635042HG	20	TR75 (Eff 304740), TR85 (Eff 308086)	Traction Drive, Hydro, Lower	105.47
636645HG	20	TR75, TR85	Traction Drive, Hydro, Lower	206.75
716414HG	20	TR75 (to 304740), TR85 (to 308086)	Traction Drive, Hydro, Lower	104.46
716416HG	21	TR75 (to 403000), TR85 (to 310400)	Traction Drive, Hydro, Upper	101.05
717700HG	21	TR75 (to 304739), TR85 (to 308085)	Traction Drive, Std, Upper, Vari-Drive	108.34
254093HG	21	TR75 (304740 up), TR85 (308086 up)	Traction Drive, Std, Upper, Vari-Drive	197.56
247782HG	22	TR75, TR85	Unloading Auger Drive	36.16
772656HG	23	TR75 (to 403000)	Water Pump & Alternator	16.52

COMBINE

New Holland

PLATFORM

Combine Sickles Sections

Type Key

- US = Under Serrated
- TS = Top Serrated
- C = Chrome
- R = Regular Gauge
- H = Heavy 12 Gauge



Part #	Application	OEM #	Type	Avg. Wt.	Price \$
S206640	Double Point 3"	Bolt On	TS-H-C	.2 lb	2.66

Combine Guards

Part #	Description	Price \$
MCM240A	Double Point Guard for 960 Series	8.15
MCM245	Double Point Guard for 970 Series	9.06
MCM275	Double Point Guard for All Floating Platforms with Lovebar	9.31

Fingers



Part #	Description	Price \$
40628H	Hardware Kit	2.88
40822H	New Holland Finger - each	9.75

CORN HEAD

Gathering Chains



Part #	Avg. Wt.	Description	Price \$
254296H	12	962 Late 1977 S/N220344 ↑	75.33
262179H	12	962 Early S/N220334 ↓	77.50
610831H	6	All 974 CA555	CALL
218822H	12	922, 923, 925, 9133, 9140, 9540	CALL

Lower Idler Sprockets



Part #	Application	Wt.	Price \$
10H	962 Late 974 CH	2 lbs.	CALL
135444H	962 Heads 220343 ↓ 5/8 Bore	2 lbs.	23.85

Corn Head Flutes



Part #	Application	Wt.	Price \$
703415H	NH Hand 962 heads Flute	3	14.50
703414H	NH Right Hand 962 heads Flute	3	14.50

CornHead Rolls



Part #	Application	Wt.	Price \$
683614H	NH All 974 heads Stalk Roll	22	123.95

Oliver - M-M - White

THRESHING

Concaves



Part #	Application	Price \$
KC8900	8800, 8900 Wide Space	1,012.95
KC7600	7600, 8600, 8700 Wide Space	CALL

GRAIN HANDLING

Chopper Knife Kits

- All kits contain hardware and bushings
- Made in U.S.A.
- Heat treated and tungstun coated to exceed OEM!
- Free Freight in quantities of 4 or more. Individual Kit wt avg. 4 lb.

Part #	OEM #	Application Knives per kit	Qty.	Length	Width	Price \$
SCTK110	7534020	White Stationary Tooth Any of Above	1			7.25
SCKK100	31- 7536350	White	3	6-7/16	4-5/8	17.69

PLATFORM

Combine Guards

Part #	Application	Price \$
MCM231	Double Point Guard for All Floating Platforms	9.15

CORN HEAD

Corn Head Flutes



Part #	Application	Wt.	Price \$
311574370H	White 700 Series Flute	3	17.05

Gathering Chains



Part #	Avg. Wt.	Description	Price \$
511142H	13	622, 625, 531, 535, 541, 544, 545, 555, 561 & H Series	80.95
311689933H	12	700 Series S/N47001 ↑ & 9400 Series	99.33
2101572073H	12	700 Series S/N47000 ↓	CALL

Lower Idler Sprockets

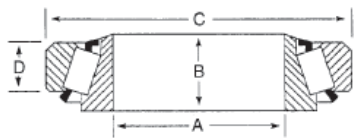


Part #	Application	Avg. Wt.	Price \$
311689940H	800-900-1000	2 lbs.	48.23
10H	700 Series 10 tooth Ser #47001 ↑	2 lbs.	CALL

Universal

BEARINGS

Tapered Roller Bearings



Part #	Dimensions				Description	Price \$
	A	B	C	D		
LM603011			3.062	.594	Cup	5.04
L68149	1.377	.660			Cone	4.59
JL69349	1.496	.669			Cone	4.95
LM29749	1.500	.720			Cone	8.60
L44610			1.980	.420	Cup	1.77
LM29710			2.562	.550	Cup	4.75
LM501349	1.625	.780			Cone	10.45
LM501310			2.891	.580	Cup	4.25
342A	1.625	1.180			Cone	18.41
25821			2.875	.750	Cup	6.02
LM603049	1.781	.781			Cone	7.99
JL69310			2.480	.531	Cup	2.24
25590	1.796	1.000			Cone	12.08
25520			3.672	.937	Cup	7.77
JLM506810			3.543	.728		6.85
JLM506849	2.165	.906			Cone	13.05
3720			3.672	.937	Cup	7.40
3780	2.000	1.193			Cone	15.47
JLM104910			3.228	.669	Cup	8.50
JLM104948	1.969	.847			Cone	15.25
332			3.150	.702	Cup	8.35
2720			3.000	.750	Cup	6.14
LM11949	.750	.655			Cone	4.68
LM11910			1.781	.475	Cup	2.72
L44643	1.000	.580			Cone	4.80
L44649	1.063	.580			Cone	4.35
L68111			2.362	.470	Cup	1.74
LM67048	1.250	.660			Cone	3.95
2790	1.312	1.010			Cone	12.40
25877	1.375	.968			Cone	12.21
LM48548	1.375	.720			Cone	4.55
LM48510			2.562	.550	Cup	2.49
14136A	1.375	.771			Cone	5.95
LM67010			2.328	.465	Cup	1.75
14276			2.717	.625	Cup	4.50

BEARINGS

Self-Lining Greasable Bearing Extended Both Sides



- Extended inner race both sides
- Curved outer race
- All Bearings come with collar.

Part #	Shaft Size	Outside Diameter	Price \$
HC20618	1-1/8"	2.4409	11.57
HC20722	1-3/8"	2.8346	14.22
HC20928	1 3/4	3.3470	18.85
HC20824	1-1/2"	3.1496	15.75
HC20723	1-7/16"	2.8346	11.73
HC20720	1-1/4" (standard)	2.8346	14.22
HC20516	1"	2.0472	9.37
HC20514	7/8"	2.0472	8.10
HC21031	1 15/16	3.5433	19.40
HC21132	2	3.9370	28.90
HC21135	2 3/16	3.9370	28.90

Self-Lining Sealed Bearing Extended One Side

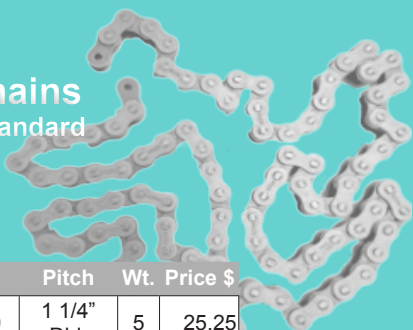


- Extended inner race one side
- Curved outer race
- All Bearings come with collars!
- If a greasable bearing is desired add a "G" to suffix
- Average weight of these bearings are 2 lbs.

Part #	Shaft Size	Outside Diameter	Price \$
SA20720	1-1/4" (standard)	2.8346	12.08
SA20824	1-1/2"	3.1496	13.88
SA20516	1"	2.0472	6.32
SA20514	7/8"	2.0472	8.49
SA20620	1-1/4" (light)	2.4409	9.48
SA20722	1-3/8"	2.8346	12.14
SA20412	3/4"	1.8504	7.98
SA20618	1-1/8"	2.4409	9.93
SA20210	5/8"	1.5748	7.53
SA20515	15/16"	2.0472	7.19
SA20619	1-3/16"	2.4409	7.49

CHAIN

Roller Chains American Standard



Part #	Size	Pitch	Wt.	Price \$
2050RC	2050	1 1/4" DbL.	5	25.25
80HRC	80H	1"	23	115.25
50RC	50	5/8"	7	25.25
60RC	60	3/4"	10	33.35
40RC	40	1/2"	4.5	12.52
2040RC	2040	1" DbL.	5	18.30
41RC	41	1/2"	4.5	10.68
60HRC	60H	3/4"	15	63.75
80RC	#80	1"	20	49.60

*Each box contains 1 connector link

Chain Breaker

No other Chain Breaker
Completely Removes
the Pin like Ours!



Weights approx 1 lb.

Part #	Desc.	Price \$
CBT240	50, 60 Chain	67.95
CBT100	Small chain up to 40, 2040	56.95

No One Sells
Higher Quality
Chain For
Less!

Offset Link

Part #	Price \$
410L	0.61
500L	1.15
2050OL	1.02
600L	1.08
800L	2.49
80HOL	3.46
2040OL	0.83
400L	0.99



Roller Link

Part #	Price \$
80RL	1.54
60RL	0.80
41RL	0.41
40RL	0.52
0RL	0.83
50RL	0.65
2040RL	0.48
80HRL	2.36



Roller Link Repair Links Connector

Part #	Price \$
60CL	0.84
2040CL	0.99
40CL	0.42
41CL	0.40
50CL	0.69
2050CL	1.29
80HCL	1.62
80CL	1.59



COMBINE

Universal

POLY PRODUCTS

Grain Grabber 2

Easy to install only 4 bolts per piece (included)



A Grain Grabber between each flighting will allow you to run the reel higher and provides less shattering.

Grain Grabbers Reduce Slugging and Feed More Evenly, Allowing you to run longer at night!

Part #	Size	Qty Needed	Price \$
GG2	18 ft or less, 20 ft, 25 ft, 30 ft	4, 6, 8, 10	29.95

RUBBER HOOD LATCH

- Mounts easily to any surface.
- Never needs adjustment
- Eliminates rattles



Part #	Weight	\$
8390	1 lb.	10.95

SICKLES

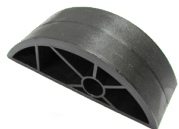
Bolt on, not Riveted



Average weight is 1.25 lb.

Part #	Description	\$
B550065D	14 Oval Shoulder Bolts with Jam nut 1020 heads 50 pcs. - 17/32 Bolts & Nuts	8.79
B550050D	Hart Carter, JE. Love, 50 pcs. -5/8 Bolts & Jam nuts with Allen wrench	12.76
B550056D	15 Chrome Sections	5.25

Wear Block



Part #	Wt.	Price \$
WB30	1 lb	6.99

PLATFORM

Combine Guards

Part #	Description	\$
MCM240A	New Idea - Double Point Guard for 71, 713, 715 Heads	8.15
MCM275	Love - Double Point Guard for all Platforms with Love Bars	9.31
MCM231	Hart Carter - Double Point Guard for all Platforms with Hart Carter Platforms	9.15

REEL PARTS

Hart Carter Reel Parts



Part #	Desc.	Application	Wt.	Price \$
8693H	Ring End Roller	AC Gleaner, JD 200, 900, IH 810, 820, NH 960, 970,	8 lbs.	106.95
50204H	Plastic Bearing Kit	Complete All	.25 lb.	3.95
H175727H	Plastic Reel Bearing	Complete All	.25 lb.	3.99
50920H	Plastic Reel Bearing	Complete All	.25 lb.	6.95
34410H	Reel Spider Arm	JD200, 900, IH 810, 820, NH 970, 972	1 lb.	6.79
34403H	Bearing, Reel Roller	JD 200, 900, IH 810, 820, NH 970, 972, AC Gleaner	.5 lb.	26.15

Plastic Reel Tines



Part #	OEM #	Application	Description	\$
920366	H127035 19701586C1 71345318 2763156M1 786031	900 Series 1020 1988 and after 300 Series 9700, 9750 971, 973	Tine mounts to the rear	1.41
920246		All wood bats	Used in place of steel on wood bat reels, w/ screws	1.99

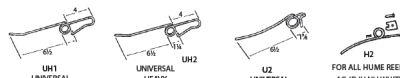
Plastic Tines for Pipe Reel



Average weight is .15 lb.

Part #	OEM #	Application	\$
224016H	With 4 1/2" wings, 1020 Series 300 Series 900 Series 971/973 Series	1989438C1 71167261 AH136689 9842263	1.80
224076H	With 6" wing		2.95

Steel Reel Tines



We have other reel teeth, reel parts available that are too numerous to list, including reel conversion kits. Just call with your application. Average weight is 0.15 lb.

Part #	Manuf.	OEM #	App.	Price \$
U2	Universal	1052668M1	Massey	1.48
UH1	Universal	1005399	Massey	CALL
43317H		Clip for Hume tooth	All IH, JD	CALL
H2	Hume		All IH, JD	1.23
UH2	Universal		Massey	2.15

SPREADER

Spreads Residue Evenly From Sieves



BENEFITS:

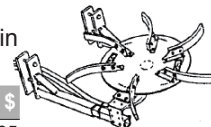
- Avoids plugging of anhydrous tool bar
- Prevents nutrient tie-up by trash
- More even drying of soil in spring
- Less trash interference with chemicals in spring
- Prevents cold wet strips
- Now with the swing away feature available

A must for minimum and no-till!

Part #	Size	Price \$
52SPREADER	52" Spreaders Larger Combines	1,339.95
44SPREADER	44" Spreaders Smaller Combines	934.50

Hinge Swingaway Extra

Not included in the spreader price
Entire weight 90 lbs. in 3 boxes



Part #	Price \$
SWINGAWAY	115.95

Hose Kit

Hose kit weighs 30 lbs.

Part #	Description	Price \$
1600HOSEKIT	1600 & 2100 Series Hose Kit	195.00
9400HOSEKIT	9400-9500-9600 Hose Kit	160.00
7700HOSEKIT	7700-7720 & Titan II Hose Kit	160.00
8820HOSEKIT	8820 & 8820 Titan II Hose Kit	160.00
4400HOSEKIT	4400 & 4420 Hose Kit	150.00
6600HOSEKIT	6600-6620 & Titan II Hose Kit	209.95
1400HOSEKIT	1400 Series Hose Kit	179.95

Polypan

Polypan weighs 25 lbs.

Part#	Description	Price \$
POLYPAN4400	Poly Pan 4400 & 4420	64.00
POLYPAN9600	*Poly Pan 9600	109.00
POLYPAN6620	Poly Pan 6620	85.00
POLYPAN8820	Poly Pan 8820	96.00
POLYPAN7720	Poly Pan 7720	92.00
POLYPAN7700	Poly Pan 7700 & 7720 Titan II	89.00
POLYPAN8820	Poly Pan 8820 Titan II	96.00
POLYPAN6600	Poly Pan 6600 & 6620 Titan II	74.00
POLYPAN9400	*Poly Pan 9400 & 9500	135.00