

# Hitch & Front End

## COMPLETE TIE ROD ASSEMBLIES!



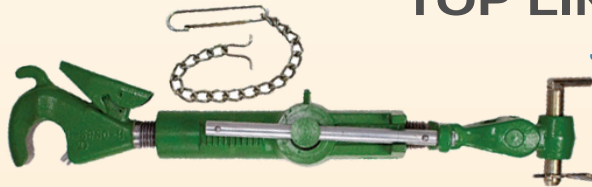
IHC



Allis Chalmers

Part #	Application	Wt	Description	Price \$
223313H	Case IH - 460-660, 544, 706-1206, 656-1456, 666-1566, 786-5488	11.0	3.750 short tie rod, tie rod tube, long tie rod clamp & jam nut	87.95
70254660H	Allis Chalmers - (WD, WD45, D14-D19, 170 if cut to proper length), 190, XT, 200, 180, 185 w/std & 500 min tread	6.0	17.50 female tie rod & 16.50 male tie rod	48.55

## TOP LINKS!



JD CATEGORY II 2 CYLINDER TOP LINK

Part #	Fits	Wt.	Price \$
JDTL2C	520 thru 730	23	218.50

## THIRD LINKS!



Replacement Adjustable Top Link  
Adjusting handle included  
Plated with Yellow Zinc

*Just Another Way  
T.H.E. Company Saves  
you Money!*

Part #	Cat.	Pin Size	Thread	Wt.	Price \$
22510	1	3/4	1 1/8	8 lbs.	17.25
00381	1 HD	3/4	1 1/8	10 lbs.	19.95
22520	2 Stand.	1	1 1/8	13 lbs.	21.95
03474	2 HD	1	1 1/4	15.5 lbs.	62.50
22530	3 HD	1 1/4	1 3/8	19 lbs.	91.95

## HITCHES!

### Quick Hitch

Will fit most Category 1 Tractors. It has an adjustable Top Link Ball Bracket and includes 7/8" Mounting Pins and Adapter Bushings.



Part #	Application	Wt.	Price \$
QH101	Category 1 w/adapter bushings	76 lbs.	179.95
QH102	Category 2 w/adapter bushings	134 lbs.	346.50
QH103	Category 3 w/adapter bushings	182 lbs.	425.00

### Lock Eze Hitch Pins

- Hinged Handle & Lock Prevent Damage and Injury from Disengaged Pins.
- Large Collar Prevents Pin Damage.
- Patented Locked Mechanism on top of Pin Operates with one Hand.



Part #	Size	Length	Weight	Price \$
80160	3/4	6	2.58	19.95
80170	7/8	6	2.90	21.15
80180	1	6	3.40	23.75
80190	1-1/8	7	4.62	27.25
80200	1-1/4	7	5.20	29.65
80210	1-1/2	8	7.40	33.95

# Allis Chalmers

## FRONT END

### Spindles

Part #	Application	Dimension				Wt	Description	Price \$
		A	B	C	D			
70272281H	6060, 6070 both w/std. tread	11.375	1.608	1.494	1.249	16.0	RH/LH-keyed	246.56
70263173H	6060 & 6070 w/96 tread, 6080	12.0	1.607	1.625	1.188	16.0	RH/LH-keyed	184.53
70237434H	D101, D12, D14, D15, (D17 early SN w/5 bolt wheel)	12.0	1.610	1.5	1.187	16.0	RH/LH-keyed	219.49
70270038H	Late D15 & D17, 170, 175, 180, 185	12.0	1.610	1.625	1.187	16.0	RH/LH-keyed	154.75
70262782H	D19, 180, 185, 190, 190XT, 200	14.0	1.610	1.625	1.187	17.0	RH/LH-keyed	172.95



### Front Hubs



Part #	# of Bolts	Application	Wt.	Price \$
70261418H	6	D15, D17, D19, 170, 175, 180, 185, 190, 190XT, 200, 6070, 6080, Early 7000. Uses Threaded Cap.	13	87.13
70265167H	8	D21, 210, 220, 7000, 7010, 7020, 7030, 7040, 7045, 7050, 7060, 7080, 8010, 8030, 8050, 8070	14	138.75

### Steering Arms



Part #	Application	Wt	Description	Price \$
70245867H	D14, D15, D17, D19, 170, 175, 180, 185, 190, 190XT, 200	4.5	LH steering arm, 1.61 Dia. hole for keyed spindle	130.10
70245868H	Same as above	4.5	RH steering arm 1.6	139.95
70256031H	170 SN↑ 7500, 175 SN↑, Both w/roll shift, 6060, 6070	4.0	LH steering arm 6.75 hole ctr.-ctr., 1.608 dia. hole	112.81
70256034H	Same as above	4.0	RH steering arm 6.75 hole ctr.-ctr., 1.608 dia. hole	112.75
70265087H	Late 7000HD, 7010, 7020, 7030, 7040, 7045, 7050, 7060, 7080, 8010, 8030, 8050, 8070	7.0	RH or LH steering arm, 1.867 dia. hole for keyed spindle	107.16

### Tie Rods



Part #	Ref.	Application	L	W	Wt	Description	\$
70269353H	A	7000, 7010, 20, 30, 40, 45, 50, 60, 80, 8010, 8030, 8050, 8070	21.00	1.50	4.0	Outer tie rod	84.16
70265527H	B	Same as above	4.9460	1.1250	3.5	Inner tie rod, RH threads	36.15
70254662H	C	D14, 15, 17, 19, 170, 180, 185, 190, 190XT, 200	16.50	8.1200	3.5	Male tie rod	24.55
70250141H	C	WD, WD45	16.5	8.120	3.5	Male tie rod	24.55
70254661H	D	WD, WD45, 180, 185 w/std & 50 min tread, 190, 190XT 200	17.5		2.5	Female tie rod	26.55
70250142H	D	WD, WD45	17.5		2.5	Female tie rod	26.55
70256144H	A	170, 175 w/roll shift	15.720	1.125	5.5	Male tie rod	80.14
70256151H	B	170, 175 w/roll shift, 6060, 6070	3.75	.813	5.5	Male tie, RH threads	37.85

\*Dimension 'L' is overall length from zerk to end. Dimension 'W' is width of tie rod.

### Complete Tie Rod Assemblies



Part #	Application	Wt	Description	Price \$
70254660H	(WD, WD45, D14-D19, 170 if cut to proper length), 190, XT, 200, 180, 185 w/std & 500 min tread	6.0	17.50 female tie rod & 16.50 male tie rod	48.55
70256019H	170, 175 w/roll shift	8.0	15.720 tie rod, sliding rod, tube assy. & male tie rod	246.28

### Front Wheels



Part #	Size	Wt.	Description	\$
W3155	3 x 15	13	ALLIS B, C, CA, D10, D12-MH PONY, 20,30,101JR	64.71
W425165AC	4.25 x 16	23	ALLIS WC, WD, WD45, D14, D15, D17-MH 33,44,333,444,MH SR	76.47

### Front Wheel Bearing AG Kits

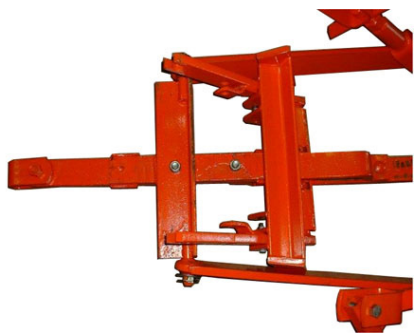


Part #	Application	Price \$
70228459H	AC B, C, CA, D10, to 3500-9001 up	40.88
70228458H	AC WC WD 45, D14 D15 (to 9000), D17 (to 42,000)	44.45
247802H	AC XT 190, 180, 170, 160, D17 late	42.71

# Allis Chalmers

## HITCH

### Drawbar Mounted Hitches



Part #	Application	Description	Price \$
DM17	D-17 Series 1 & 2	Drawbar stays on	385.00
DM173	D17 Series 3	Drawbar stays on	377.22
DM15	D15 Series 1	Drawbar stays on	391.50
DM2	Series 2	Drawbar stays on	377.22
DMWD	WD, WD45, D-14	Drawbar stays on	377.12
DMHD17	17 Series 4	Heavy Duty	507.50
DMHD19	19	Heavy Duty	523.95
D17DY	ACD17	Drawbar with Yoke Support	
CH	B & C	Complete hitch w/HydCyl and link	385.95
WDH	WD, WD45	For tractors without rear hydraulic lift links complete hitch	268.12
RWD	WD, WD45, CD12, 14, 15	Cat I mounts up front to Snap Coupler Bell Rockshaft lift	268.12
WD	CA, WD	Cat I mounts up front in rear to lift links Rockshaft lift	275.95
SWD	WD, WD45, CD12, 14, 15	Cat II 3/4 mat with Snap Coupler Rockshaft lift	268.12
SWD1	CA, WD	Cat II 3/4 mat with Snap Coupler Rockshaft lift	277.50
D17	D17	Cat 3/4 mat Rockshaft lift	405.93
HD190	D17, D19, 190	Heavy Dduty Rockshaft lift	565.52

### Drawbars



Part #	Application	Dimensions/Info.	Wt.	Price \$
70239813H	190, 190XT, 200, 7000, D19	52.250 long, 2.50 wide, 1.250 high	48.0	224.17
702725045H	7010, 7020-7060, 8010-8050	62.8750 long, 3.00 wide, 1.6250 high	85.0	245.36
70254452H	170, 175, 180, 185, D17 Ser. 1V	Standard Drawbar	45.0	236.96
70263647H	6060, 6080 ↓ SN 6500, 6070 ↓ SN 1188	Standard Drawbar	27.0	215.75
72094177H	6070 SN ↑ 1188, 6080 ↑ SN 6500	Standard Drawbar	45.0	246.40

### Lift Link Screws & Clevis



Part #	Application	Dimensions/Info.	Wt.	Price \$
70254111H	190, 190XT, 200	12.8750 long, 1.20 diameter	4.0	41.33
70254112H	D17, 170, 180, 185 ↓ SN 5707	13.6250 long, 1.20 diameter	4.0	69.95
70257039H	175 ↓ SN 6862, 185 SN 5707-14290, 200 ↑ SN 4001, 7000 ↓ 8959	13.750 long, 1.20 diameter	4.0	54.01
70235820H	D10, D12, D15	Lower Yoke Clevis	4.0	57.93
70257726H	D17, 170, 175, 180, 185, 190, 190XT	Lift Link Clevis	4.0	77.95

**Call, Click, or Stop By  
T.H.E. Company for your  
Agricultural Needs!**

Don't see your model?

**CALL US!**

Chances are we can find the parts you need to get your equipment working again!

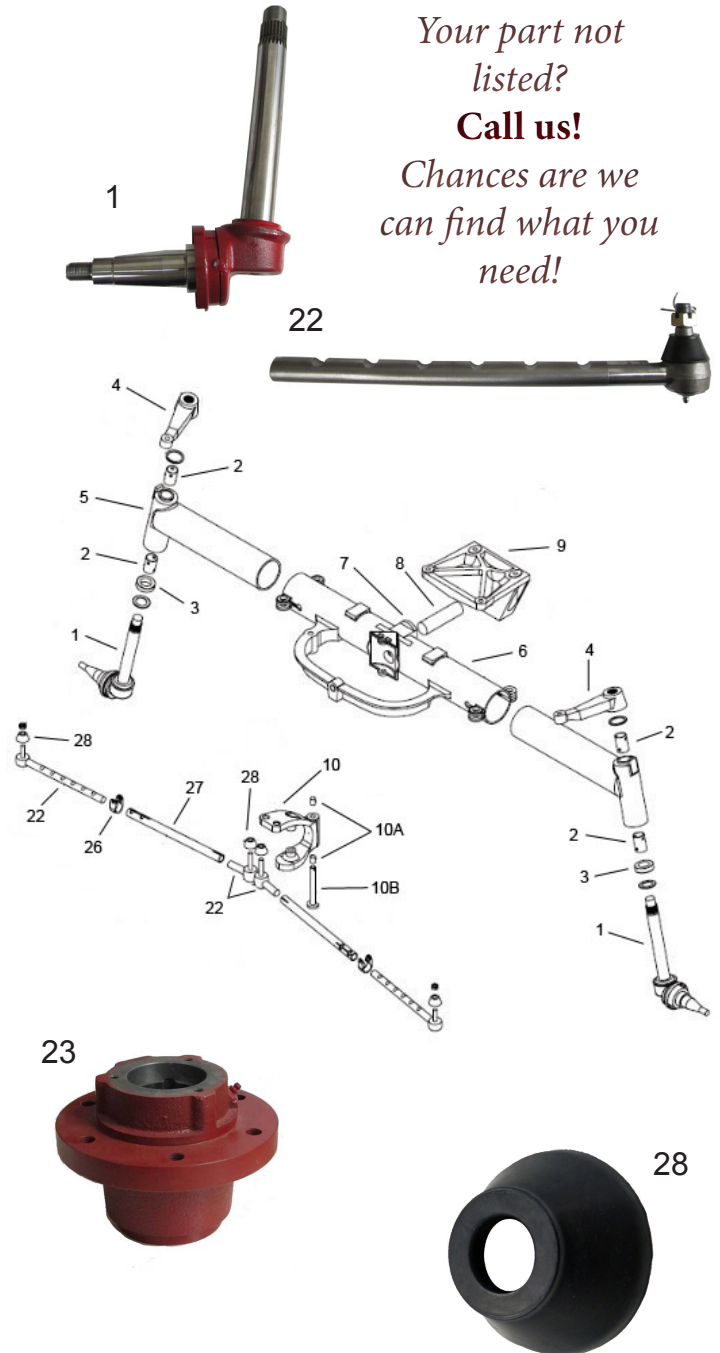
Prices are subject to change without notice, Call to verify price & availability!

# Case - IH

## FRONT END

### IH 66 86 88 Series With Round Axle

Part #	Ref	Wt	Description	Price \$
71785CH	1	20	666, 766, 966, 1066, 1466, 1468, 1566, 1568, 686, 786, 886, 986, 1086, 1486, 1586	173.10
71785HDH	1	21	Heavy Duty can be used in place of 71785CH plus 5088, 5288, 5488, 3288, 3088, 3688 Splined	212.86
358958RH	2	1	Knee Bushing - 66, 86, 88 Series	10.91
185106CH	3	2	Thrust Bearing - Same as Above	9.85
531248RH	4	7	Left Hand - 66, 86, 3088, 3288, 3688, Hydro 186, 100	54.88
531249RH	4	7	Right Hand - Same as above	53.75
531249US	4	7	Right Hand - Same as above - Undersized to tighten loose spindles	62.65
531248US	4	7	Left Hand - Same as above - Undersized to tighten loose spindles	53.75
71785SARH	4	8	Right Hand - Taper-lok Spindle	90.86
71785SALH	4	7	Left Hand - Taper-lok Spindle	90.86
531260RH	5	35	66, 86, 88 Series - 5088 5288 5488 with round axle	254.58
71816CH	6	170	66 86 Series	941.02
531242RH	7	1	Bolster Pivot Bushing 966-5488	14.03
531240RH	8	6	Bolster Pivot Pin 766-1586	57.75
531263RH	9	68	Bolster 766-1586	376.95
71787CH	10	15	HYDRO 100 & 186, 766-1566, 786-1586, 3088-5088	274.82
71788CH	10A	0	Bushings (Two used) - Fits applications listed above	8.44
531239RH	10B	2	Center Arm Pivot Pin 7" - Fits applications listed above	43.49
65320CH	2		Axle Pivot Ball - 66 86 Series	27.49
533808RH	3		Ball Socket - 66 86 Series	26.10
379953RH	1		Ball Cap - 66 86 Series	16.25
71820CH	3		Tie Rod Style Cylinder End - 66 & 86 Series	60.59
1280566CH	4		Tie Rod Style Cylinder End - Two Wheel Drive 5088-5488, 7110-7150	45.95
533287RH	3		Block Style Cylinder End - Early 66 Series	52.25
531238RH	1		766-1586, 3488, 3688, 5088 Trunion Bolt	4.52
531237RH	3		Trunions - Same as above	18.95
533283RH	1		Trunion Bushings - Same as above	7.80
531239RH	2		Steering Yoke Pin - Same as above	43.49
359984RH	22	4	Outer Tie Rod - 66 86 Series	32.10
384006RH	22	2	Inner Tie Rod - 66 86 Series	16.25
391823RH	2	18	6 Bolt Front Wheel Hub - 766, 966, 1066, 686, 686, 886, 986, 1086, 3088, 3288, 3688	107.58
391824RH	18	18	8 Bolt Front Wheel Hub - 966-1566, 986-1586, 5088, 5288, 5488	125.47
913555	0		Wheel Bolt - Fits above hubs	1.58
375620RH	26	1	Tie Rod Clamp - 666 thru 1586	4.42
383917RH	27	2	Tie Rod Tube 18" - 66 86 88 Series	24.50
358900RH	28	0	Tie Rod End Boot - 66 86 88 Series	2.75



*Your part not listed?  
Call us!  
Chances are we can find what you need!*

HITCH/FRONT END

### Front Axle Overhaul Kits

Part #	Description	Price \$
50291003	Basic Overhaul kit - Contains - 2 Trunions, 2 Cylinder Pivot Bushings, 2 Trunion Bolts, 2 Yoke Pin Bushings, 1 Yoke Pin	86.19
50291006	Complete Overhaul kit - Contains All Parts in Basic Kit Plus 2 Inner Tie Rods, 2 Outer Tie Rods, 2 Axle Pivot Bushings, 1 Bolter Pin, 1 Ball Stud, 2 Thrust Bearings, 2 Felt Washers, Package of Bolster Pin Retainers	356.72
50291005	Major Overhaul Kit - Block Style Cylinder End - Contains All Parts Listed in #50291006 Plus Block Style Cylinder End, Cylinder Pin, Taper Lock Spindle & Steering Arm Set	675.07
50291007	Major Overhaul Kit - Tie Rod Cylinder End - Contains All Parts in Major Overhaul Kit above but has Tie Rod Style Cylinder End instead of Block Style	676.79
SBBSKIT07	Spindle Bushing, Bearing and Seal Kit. Fits 66, 86, 88 Series.	49.93

### Power Steering Cylinder

Part #	Application	Wt	Price \$
63864CH	766 (17394 up), 966 (32806 Up), 1066 (58876 Up) 1466 (30726 Up), 1566 (8876 Up), 3088-5488, ALL W/ STD. ADJUSTABLE FRNT. AXLE CYLINDER INCL TIE ROD STYLE ENDS	20.0	381.57
533279RH	766 (below 17393), 966 (below 32805), 1066 (below 58875), 1466 (below 30725), 1566 (below 13608), HYDRO 100 (below 12694) CYLINDER INCLUDES PIN STYLE ENDS	20.0	355.00

### Power Steering Cylinder Seal Kit

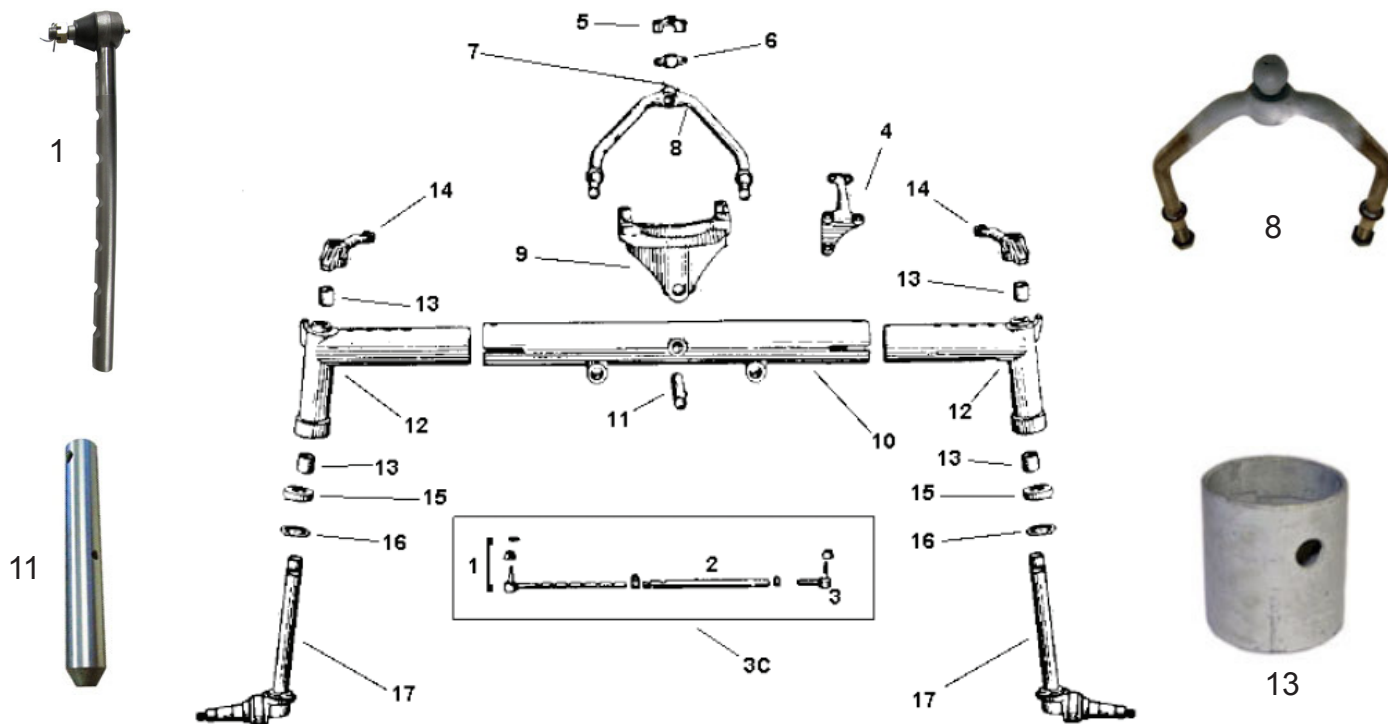
Part #	Application	Wt	Price \$
80446CH	766-1586	1.0	98.93



# Case - IH

## FRONT END

### IH 460-1256 Front End Parts



Part #	Ref	Wt	Description	Price \$
359984RH	1	5	Outer Tie Rod	32.10
383917RH	2	4	Tie Rod Tube	24.50
384005RH	3	3	Inner Tie Rod Left Hand Threads	26.56
384006RH	3	3	Inner Tie Rod Right Hand Threads	16.25
223313H	3C	10	Complete Tie Rod Assembly	87.95
358970RH	4	9	Center Steering Arm	98.38
535861RH	5	4	Stay Rod Ball Socket	32.30
60763DBH	6	1	Stay Rod Ball Cap	19.05
65320CH	7	2	Axle Pivot Ball Note--Must Drill Out To Install To Wishbone	27.49
360405RH	8	30	Wishbone W/ Ball	432.95
383909RH	9	60	Front Pivot Bolster	244.95
358976RH	10	55	Center Axle Tube	279.43
379941RH	11	4	Bolster Pivot Pin	31.41
370689RH	12	36	Left & Right Hand Knee W/ Bushngs	245.25
358958RH	13	1	Knee Bushing	10.91
383914RH	14	7	Keyed Left & Right Hand Steering Arm For Keyed Spindles	104.06
384016RH	14	10	Left Hand Steering Arm For Standard & Wheatland Front Axles Only	109.95
384017RH	14	10	Right Hand Steering Arm For Standard & Wheatland Front Axles Only	109.95
185106CH	15	1	Spindle Thrust Bearing	9.85
15943DAH	16	0.1	Spindle Felt Washer	1.74
383910RH	17	18	Keyed Left Hand Spindle Models Only 460, 544, 656	222.95
383911RH	17	18	Keyed Right Hand Spindle Models Only 460, 544, 656	222.37
405427RH	17	18	Splined Left & Right Hand Spindle Models 460, 544, 656	198.92
383912RH	17	22	Left Hand Keyed Spindle For Models 560-1256	203.95
383913RH	17	22	Right Hand Keyed Spindle For Modes 560-1256	199.35
384257RH	17	29	Left Hand Keyed Spindle For High Crop Models Only	
384258RH	17	29	Right Hand Keyed Spindle For High Crop Models Only	
71785CH	17	21	Left & Right Hand Splined Spindle For Most Common Models W/ Adjustable Front Axles	173.10
71785TLS	17	58	Taper-Lok Assembly Left & Right Hand Set W/ Steering Arms	474.86
71785LLH	17	31	Left Hand Side Taper-Lok Spindle W/ Steering Arm	239.18
71785TLRH	17	31	Right Hand Side Taper-Lok Spindle W/ Steering Arm	235.18
395310RH	16		Six Bolt Wheel Hub 460, 504 Utility, 544, 656, 666 & 686 Both Narrow Fronts Hydro 70 , 84	101.70
WBKIH2	2		Wheel Bearing Kit For Above Hub	23.03
391823RH	20		Six Bolt Wheel Hub 560 Thru 5488	107.58
WBKIH3	3		Wheel Bearing Kit For Above	28.10
391824RH	30		Eight Bolt Wheel Hub 560 Thru 5488	125.47
WBKIH3	3		Wheel Bearing Kit For Above	28.10

# Case - IH

## FRONT END

### Case



Part #	Application	Dimension					Wt	Description	Price \$
		A	B	C	D	E			
A36534H	200, 300, 430, 530	15.468	1.0	1.366	1.375	.75	16	RH/LH	218.66
A149614H	430, 530, 470, 570	12.625	1.0	1.366	1.375	.75	13	RH/LH	229.95
A154657H	480A, 380B, 580A-580B Industrial—Call for details	11.225	1.75	2.0	1.75	1.375	21	RH/LH	284.74
A57274H	730, 830, 930, 1030	17.125	1.465	2.0	1.75	1.375	27	LH spindle	256.13
A57275H	Same as above	17.125	1.465	2.0	1.75	1.375	27	RH spindle	254.85
A57441H	730, 830, 930, 1030	18.25	1.5	2.0	1.75	1.375	24	LH/RH	260.74
A57443H	Late SN 930 & 1030	16.0	1.5	2.0	1.75	1.375	22	LH/RH	241.28
A57512H	730, 830, 930 & 1030 w/wheat land front end	18.25	1.465	2.0	1.75	1.375	27	LH/RH	241.28
A176152H	770, 870, 970, 1070 & 1175	14.5	1.465	2.0	1.75	1.375	27	LH/RH	244.95
A167024H	2090, 2290, 2094, 2294	12.25	1.465	2.0	1.75	1.375	23	LH/RH	270.95
A162068H	1270, 1370, 1570	12.625	1.725	2.235	2.165	1.78	31	LH/RH	313.18
A161274H	2090 late SN, 2290, 2390, 2590, 2394, 2594	12.5	1.725	2.235	2.165	1.780	31	LH/RH	251.08

## International Harvester

### Row Crop Spindles



Part #	Application	Dimension				Wt	Desc.	Price \$
		A	B	C	D			
360420RH	H, HV, Super H, Super HV, 300, 350	14.562	1.667	1.375	.937	19	RH	212.95
360419RH	Same as above	14.562	1.667	1.375	.937	19	LH	217.95
51699DEH	Early Farmall M w/OEM wide frt. Axle	10.625	1.356	1.375	.937	16	LH	190.39
51700DEH	Same as above	10.625	1.356	1.375	.937	16	RH	184.95
406266RH	544 row crop, 656 row crop SN↓ 13199	14.875	1.667	1.375	.842	18	LH/RH	184.95
530338RH	544 row crop, 656 row crop SN↑ 13200	14.875	1.667	1.780	1.375	21	LH/RH	188.50
383912RH	560, 656, 706, 756, 806, 826, 856, 1026, 1206, 1256	12.375	1.667	1.780	1.375	20	LH-keyed	203.95
383913RH	Same as above	12.375	1.667	1.780	1.375	20	RH-keyed	199.35
71785CH	656, 756, 826, 856, 1026, 1256, 1456, 666, 766, 966, 1066, 1466, 1468, 1566, 1568, 686, 786, 886, 986, 1086, 1486, 1586, Hydro's 70, 86, 100, 186	12.75	1.667	1.78	1.375	19	LH/RH-splined	173.10
71785HDH	All of above applications plus 5088, 5288, 5488, 3088, 3288, 3688, Hydro 3488, CoHon Pickers 782, 1822, 1844, 2022, 2044	12.75	1.667	1.78	1.375	22	LH/RH-splined	212.86

## International Harvester

### Utility Spindles



Part #	Application	Dimension				Wt	Desc.	Price \$
		A	B	C	D			
361845RH	300, 350 utility - not Farmall	12.375	1.667	1.375	.937	17	LH/RH	217.21
383910RH	460, 544, 656	12.375	1.667	1.375	.842	17	LH-keyed	222.95
383911RH	Same as above	12.375	1.667	1.375	.842	17	RH-keyed	222.37
405427RH	460, 5441, 656	12.75	1.667	1.375	.842	17	LH/RH-splined	198.92
406265RH	544 util, 656 util SN↓ 13199	11.375	1.667	1.375	.842	17	LH/RH	223.91
406267RH	544 util, 656 util SN↑ 13200	11.375	1.667	1.78	1.375	17	LH/RH	215.53
405838RH	454, 2400A	11.687	1.423	1.25	.75	11	LH/RH	269.72
536061RH	454, 2400A, 464, 484, std. duty utility	11.625	1.423	1.377	.865	11	LH/RH	162.86
405840RH	454, 675, 584, 2500A utility w/swept back axle	12.25	1.667	1.375	.842	18	LH/RH	195.72
527292RH	574, 585, 2500A utility w/row crop axle	15.25	1.667	1.375	.842	16	LH/RH	162.86
3125872RH	684, H84, 784, 884, 685, 685XL, 695, 695XL, 885, 885XL, 895, 895XL	9.5	1.667	1.780	1.375	19	LH/RH	162.86

## Complete Tie Rod Assemblies

### Case



Part #	Application	Wt	Description	Price \$
112201H	770, 870, 970, 1070, 1175, 1090 & 1170 ↓ Ser #8678074	10.0	3.750 tie rod end, tie rod tube, long tie rod, clamp & nut	98.45
112202H	1090, 1270, 1370, 1570, 1170 Ser #↑8678074	10.0	4.000 tie rod end, tube, long tie rod, wedge & nut	122.95
112203H	1896, 2090, 2094, 2096, 2290, 2294, all w/std & long axles w/std. wheel base	12.0	3.750 short tie rod, 18.60 tie rod end, 18.750 long tie rod, 39.38 long tie rod tube & nut	275.14
112204H	1896, 2090, 2094, 2096, 2290, 2294, 2390, 2394, 2590, 2594, all w/std & long axle 1100 wheel base	12.0	Same as above	275.14

### IHC

Part #	Application	Wt	Description	Price \$
223313H	460-660, 544, 706-1206, 656-1456, 666-1566, 786-5488	11.0	3.750 short tie rod, tie rod tube, long tie rod clamp & jam nut	87.95

# Case - IH

## FRONT END

### Tie Rods

Case



Part #	Application	A	B	Weights	Description	Price \$
A143028H	770, 870, 970, 1070, 1175, 1090, 1170, Both ser #J8678074	17.75	.937	6.5	Outer tie rod	32.25
A44762H	Same as above	3.75	1.00	2.0	Short tie rod	23.77
A59659H	Same as above	18.375		2.0	Tie rod tube	29.73
A43374H	1090, 1270, 1370, 1570, 1170 Ser #J8678074	17.687	1.00	4.0	Long tie rod end	49.10
A43376H	Same as above	4.0	1.00	2.0	Short tie rod end	25.23
A137101H	Same as above	18.250	1.015ID	2.0	Tie rod tube	50.39
A160199H	1896, 2090, 2094, 2096, 2290, 2294 all w/std & long axles w/std wheel base	18.75	1.25	4.0	Long tie rod	58.15
A160200H	Same as above	3.75	.812	2.0	Short tie rod end	25.50
A143876H	Same as above	18.62	1.25OD	2.5	Tie rod end	83.04
A160166H	Same as above	39.380	1.26ID	4.0	Tie rod tube	190.72
A160197H	1896, 2090, 2094, 2096, 2290, 2294, 2390, 2394, 2590, 2594, all w/std. & long axle w/1100 wheel base	20.56	1.25	9.0	Long tie rod end	64.53
A160200H	Same as above	3.75	.812	2.0	Short tie rod end	25.50
A137101H	Same as above	18.250	1.015	3.0	Tie rod tube	50.39
K207721H	1194, 1294, 1394, M1394	2.750	.75	3.0	Ball socket	24.58
K207722H	Same as above	3.780	.75	3.0	Ball end	24.58
G45368H	430, 530, 480B, 580B, 480CK, 580CK	3.125	.687	3.0	RH tie rod end	14.86
G45369H	Same as above	3.125	.687	2.0	LH tie rod end	16.98

### International Harvester



Part #	Application	Dimension		Weights	Description	Price \$
		A	B			
3125171RH	585, 595, 684, 685	14.125	0.812	4.0	Long tie rod	36.18
3129380RH	(384 str.) 495, 585, 595, 695 swept back, 454, 464, 485 swept back 44-72" axle, 454, 464, 485 swept back 48-80" axle, 385, 454, 485, 574, 676, 784, 884, 885, 585, 595, 2400A	15.75	0.812	4.0	Long tie rod	32.41
65074CH	Same as above	13.75	0.75	3.0	Long tie rod	29.58
65077CH	Same as above	16.00	0.75	3.0	Long tie rod	32.77
65079CH	Same as above	15.00	0.75	3.0	Long tie rod	33.06
65082CH	Same as above	16.00	0.75	3.0	Long tie rod	34.45
379326RH	656, 2656, 544, 2444, 454, 2400A, 574, 2500A, 484	4.060	0.812	2.0	Tie rod end LH thread	28.01
379327RH	584, 684, 784, 884, 485, 585, 685XL-895XL	4.060	0.812	2.0	Tie rod end RH thread	28.49
3116408RH	484-884, 385-885, 395-895 & 584 straight axle	16.187		3.0	Tie rod tube	32.46
384006RH	460, 560, 660, 706, 806, 1206, 656, 756, 856, 1026	3.750	1.00	2.0	Short inner tie rod	16.25
383917RH	1256, 1456, 544, 666, 766, 966, 1066, 1466, 1566	18.00		3.0	Tie rod tube	24.50
359984RH	786, 886, 986, 1086, 1486, 1586, 1568, Hydro 70, 100, 186	15.75	0.920	4.0	Outer tie rod	32.10
384005RH	706, 806, 756, 856 Std. models	3.75	1.00	2.5	Inner tie rod LH thread	26.56
1280662CH	5088, 5288, 5488, High capacity axle	15.275	1.185	7.0	Long tie rod	28.35
1280658CH	7110, 7120, 7130, 7140, 7150	4.1	1.125	3.0	Short tie rod	28.68
374062RH	Jam nut 1" RH thread use w/ 383917RH tube & 384006RH			0.5	Inner tie rod	5.29
359986RH	Clamp, tie rod, used w/ 383917RH			0.5	Tube	4.42
71820CH	786, 886, 986, 1086, 1486 & 1586 late 66 series	3.00		3.0	Cyl. end (forged type) I.D. thread fits onto cylinder rod	60.59
3040922RH	B275, B414, 354, 364, 2300A	3.06	0.375	1.5	Drag link end - RH thread	21.61
3045309RH	384, B414	3.06	0.375	1.5	Drag link end - LH tread	31.10
356541RH	444, 2444, 424, 2424, 404, 2404 all w/ hvy duty front axles 100, 130, 140, super A, A1, AV, AV1 all w/ fixed axles	3.06	0.687	1.5	Tie rod end - LH threads	18.34
371021RH	Farmall 200, 230, 240, IH240, all w/ wide frt axles, 330, 340, 404, 2404, 504, 2504 all w/ wide tread front axles	17.120	0.75	3.0	Long tie rod LH/RH	62.50
379204RH	404, 2404, 424, 2424, 444, 2444, all w/ adj. frt axles	16.875	0.75	3.0	Long tie rod LH/RH	76.95
3040920RH	354, 364, 384	3.125	0.75	1.5	Short tie rod - RH thread	27.70
3116407RH	385, 495, std. & swept back axle - all 684	3.750	0.875	2.0	Short tie rod - RH thread	19.95
356540RH	424, 2424, 454, 485, (464 swept axle)	3.062	0.687	1.5	Short tie rod	19.25
527658RH	385, 454, 485 std. axle - 574, 674	3.062	0.687	1.5	Short tie rod	23.64
3116406RH	385 swept back, 495, 684, 685, (695 std.) 784, 884, 885	15.00	0.812	4.0	Long tie rod	38.95

Don't see your model?  
*Call us!* Chances are we can find the parts you need for your tractor!

# Case - IH

## International Harvester

### FRONT END

#### Front Hubs

Case



Part #	# Bolts	Application	Wt.	Price \$
A57336H	6	770, 870, 970, 1070, 1175, 730, 830, 1030, 2090, 3390, 2094, 2294, 1896, 2096, Backhoes 4808, 430, 530, 480CK	28.0 lbs.	152.25
A51157H	8	970 & 1070 Ser #†8675001, 1175, 2090, 2290, 2094, 2294, 1896 & 2096 w/Std. Whl Base Backhoes 580B, 580CK	30.0 lbs.	249.95
A66759H	8	1270, 1370, 1570, 2390, 2590, 2394, 2594, 1896, 2096, Some Forklifts and most Backhoes.	30.0 lbs.	236.95

Part #	# of Bolts	Application	Wt.	Price \$
223311H*	6	M, Super M, 400	18.0 lbs.	109.80
391823RH	6	560, 706, 806, 1206, 544, 656, 826, 856, 1026, 1256, 666, 766, 966, 1066, 686, 786, 886, 986, 1086	18.0 lbs.	107.58
391824RH	8	All 06, 26, 56, 66, and 86 series tractors, 5088, Hydro 70, 86, 100 and 186 Tractors 815, 915, 1420, 1440, 1460, and 1620 Combines Can Replace #1323559C1	18.0 lbs.	125.47
406294RH	6 Std. Duty	574, 674, 484, 584, 585, 685, 885, 495, 595, 695, 895, 995	16.0 lbs.	124.74
67527CH	6 Hvy. Duty	674, 584, 585, 685, 885, 595, 695, 895, 995	18.0 lbs.	107.74
395310RH	6	544, 656, 666, 686, Hydro 70, 84	14.0 lbs.	101.70

\*This hub allows changing old style cast front hubs & wheels to a standard front hub and 6 bolt rim!

#### Steering Arms

Case Tractors



Part #	Application	Weights	Description	Price \$
A137741H	480A, 480B, 580A, 580B, Backhoe loader tractors	12.0	LH steering arm, 16 tooth tapered splined hole	142.83
A137742H	Same application as above	12.0	RH steering arm, 16 tooth tapered splined hole	142.83
A34798H	730, 830, early 930, early 1030	11.0	Tapered tie rod hole on long arm is from .600-.700 & .750-.850 on short arm	179.50
A24652H	Same as above	11.0	Tie rod holes on both arms are tapered from .600-.700	125.99
A57323H	Late 930 & 1030, 770, 870, 970, 1070, 1175 SN† 8736747	7.5	RH steering arm, 77 tooth splined hole 7.80 ctr. hole-ctr. hole	97.41
A57322H	Same as above	7.5	LH steering arm, 17 tooth splined hole 7.80 ctr. hole-ctr. hole	97.41
A61404H	1090, 1170, 1270, 1370, 1570	9.0	RH steering arm, 20 tooth tapered splined hole	138.95
A61405H	Same as above	9.0	LH steering arm, 20 tooth tapered splined hole	134.83
A160124H	2090, early 2290, 2094, 2294	8.0	RH steering arm 17 tooth tapered splined hole, 10.50 long	121.95
A160125H	Same as above	8.0	LH steering arm 17 tooth tapered splined hole, 10.50 long	121.95
A147121H	2090, late 2290, 2390, 2590, 2094, 2294, 2394, 2595	11.0	RH steering arm 20 tooth tapered splined hole, 11.50 long	107.23
A147122H	Same as above	11.0	RH steering arm 20 tooth tapered splined hole, 11.50 long	106.95

#### International Harvester



Part #	Application	Wt	Description	Price \$
379553RH	424, 2424, 444, 2444, 544, 2544, 606, 2606, 504, 2504, 656, 2656, 664	3.0	Steering arm	91.10
379555RH	504, 2504, 606, 2606, 544, 2544, 656, 2656	3.0	Steering arm	103.41
379642RH	504, 544, 606, 656 utility	9.0	LH steering arm, 4.250 drop	115.78
379643RH	Same as above	9.0	RH steering arm, 4.250 drop	167.27
383914RH	544, 656, 706, 1206, 756, 856, 1256, 1456, 826, 1026	6.0	Steering arm, 1.6670 dia. hole, .250 keyway	104.06
384016RH	706, 806, 1206, 756, 826, 856, 1206, 1256, 1456 for std. & wheat hand frt. Not for row crop	9.0	LH steering arm frt. 20 drop	109.95
384017RH	Same as above	9.0	RH steering arm 20 drop	109.95
531248RH	766, 966, 1066, 1466, 1468, 1566, 1568, 786, 886, 986, 1086, 1486, 1586, 3088, 3288, 3688, Hydro 100, 186	6.5	LH steering arm	54.88
531249RH	Same as above	6.5	RH steering arm	53.75
531248US	Same as above	7.0	LH steering arm w/.030 undersize bore to tighten loose spindles, fits spindles w/snap ring groove below spline	53.75
531249US	Same as above	7.0	RH steering arm w/.030 undersize bore to tighten loose spindles, fits spindles w/snap ring groove below spline	62.65
531248US86	Same as above	7.0	LH steering arm w/.030 undersize bore to tighten loose spindles, fits spindles w/square shoulder below spline	69.75
531249US86	Same as above	7.0	RH steering arm w/.030 undersize bore to tighten loose spindles, fits spindles w/square shoulder below spline	69.75

#### Center Steering Arms & Brackets



Part #	Application	Wt	Description	Price \$
379555RH	504, 2504, 606, 2606, 544, 2544, 656, 2656	3.0	Steering arm	103.41
379553RH	424, 2424, 444, 2444, 544, 2544, 606, 2606, 504, 2504, 656, 2656, 664	3.0	Steering arm	91.10
358970RH	460, 560, 660, 706, 806, 1206, 1256, 544, 666, 686, Hydro 70	8.0	Center steering arm, has 3.375" drop	98.38



## Case - IH

### FRONT END

#### Front Wheels

Part #	Size	Wt.	Description	Price \$
RDC315	3 x 15	13	IH A, B, C without loops , use your loops off of your old rim	36.66
RDC5516	5.5 x 16	16	IH H, M, without loops , use loops off of your old rim	56.67
RDC315WL	3 x 15	13	IH, A, B, C with loops 3 clamps on 11.25 bolt centers	
RDC5516WL	5.5 x 16	14	IH M, H, with loops, 3 clamps, on 11.50 bolt centers	99.00
W1016873RG	10 x 16	41	IH tractors 8 bolt hub replaces # 383906R1	120.72

#### Deep Drop Wheels For Classic Older Tractors

Part #	Size	Wt.	Description	Price \$
13959SM	10 x 38	74	IH, deep drop well rims H,M, silver	244.50
19959SM	11 x 38	81	IH, deep drop well rims H,M, silver For skid steer loaders see skid loader section 8	244.50

#### Rear Wheels, Double Bevel Rims For Cast Centers

Part #	Size	Wt.	Description	Price \$
1186SM	16 x 34	105	Double bevel rim for cast center silver for IH	249.00
13780SM	9 x 36	50	Rim 6 clamps for Farmall C, 200, 230	273.00
1174SM	14 x 38	105	Double bevel rim for cast center silver for IH	224.95
1175SM	16 x 38	119	Double bevel rim for cast center silver ,IH, MF	306.95
1176SM	18 x 38	129	Double bevel rim for cast center silver for IH	378.33

other sizes available on request

#### Rear Wheels, Loop And Power Adjust

Part #	Size	Wt.	Description	Price \$
RC8244	8 x 24	34	4 Loop 8x24 IH Replaces # 35428R91	114.01

other sizes available on request



#### Rear Wheel Wedge Kits

**3 1/2" & 3 1/4" Rear Wheel Wedge Kit**  
Kit consists of (2) wedges for the 3 1/2" & 3 1/4" axle & (1) bolt.



Part #	Wt.	Application	Price \$
1287801CH	10 lbs.	706, 806, 756, 856, 826, 1026, 766, 966, 1066, Hydro 100	122.95
1287802CH	12 lbs.	1455, 1086, 1486	127.75

#### Wheel Bolts Weight approx. 1.5 lbs.

Part #	Application	Price \$
223312H	Replacement Bolt for Wedges Listed Above	57.42
539827RH	Fits IH 56, 66, 86, and 88 Series With Clamp Style Wheel	22.40



#### Wheel Bolt Weight is 0.05 lbs.

Part #	Application	Description	Price \$
913555	Fits the above hubs	Bolt 9/16 x 1 5/8	1.58

#### Front Wheel Bearing Kits

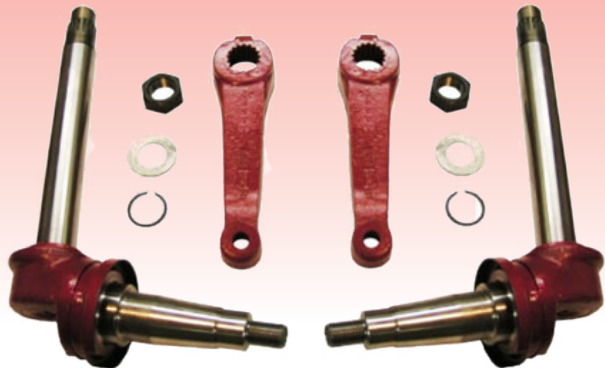


Part #	Application	Price \$
FW116FS	Cub and Cub Low-Boy	83.37
WBKIH10	Farmall A, Super A, B, C, Super C, 100, 130, 200, 230	35.21
FW113FS	H, Super H, M, ME, Super M, Super MD, 300, 350	44.48
FW112FS	M, 300, 350, 400, 450	109.10
FW119FS	460 Row Crop, 504, 606, 574, 584, 674, 784	24.68
WBKIH3	All 06, 56, 66, 86, 88 Series Tractors 1440, 1460, 1480 Combines	28.10

## Taper-Lok Sets

### WHY TAPER-LOK SPINDLE ARE BETTER.

"Taper Lok" spindles and steering arms have tapered splines to give a tighter fit than the original straight splines. In heavy duty use, the Taper Lok kit will outlast the original equipment. A "Taper Lok" kit includes all necessary hardware needed to install. The original thrust bearing , hub, and wheel bearings will fit this Taper -Lok Spindle Set.

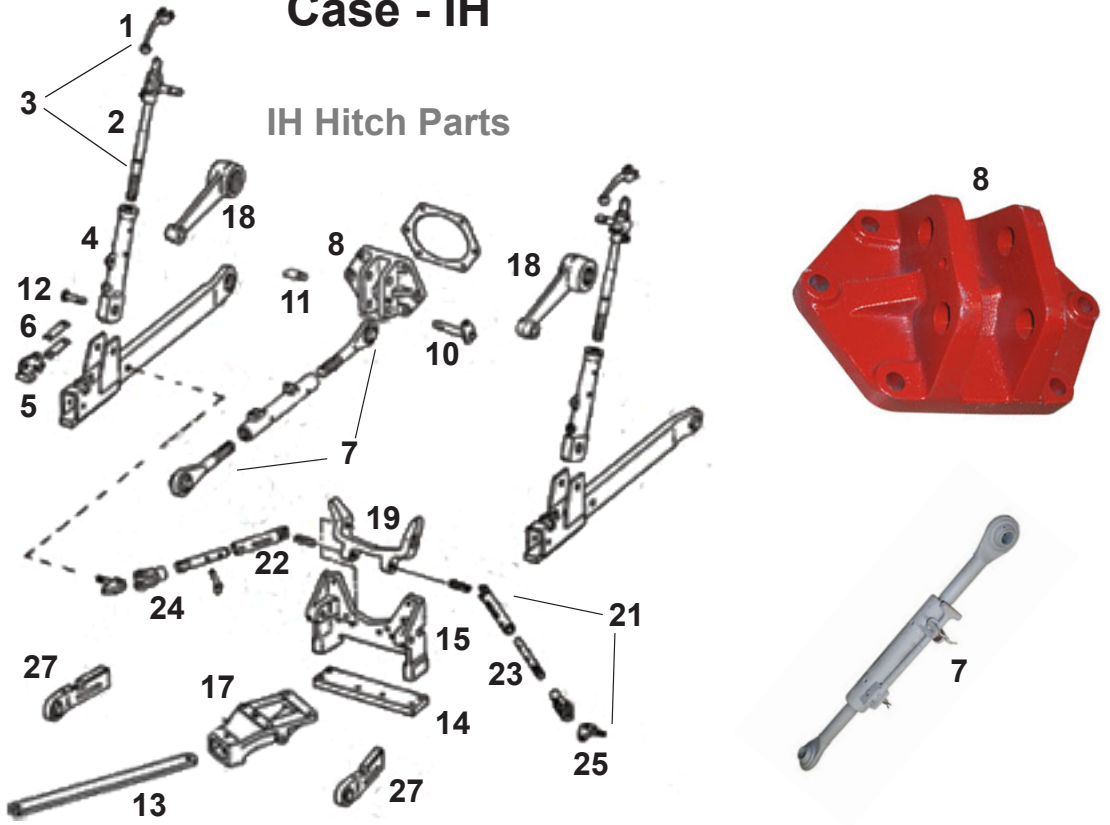


Part #	Application	Wt	Description	Price \$
71785TLS	706, 806, 1206, 1026, 826, 656, 666, 766, 756, 856, 1256, 1456, 966, 1066, 1466, 1468, 1568, 786, 886, 986, 1086, 1486, 1586, 3088, 3288, 3688, 5088, 5288, 5488	60	Kit: (2) Spindles, w/ (1) LH Strg arm, (1) RH Strg arm, & Hardware	474.86
71785TLLH	Same as above	27	(1) Spindle, w/ (1) LH Steering arm, & Hardware.	239.18
71785TLRH	Same as above	27	(1) Spindle, w/ (1) RH Steering arm, & Hardware.	235.18
405427SPOH	460, 544, 656	27	(1) Spindle only	220.17

# Case - IH

## HITCH

### IH Hitch Parts



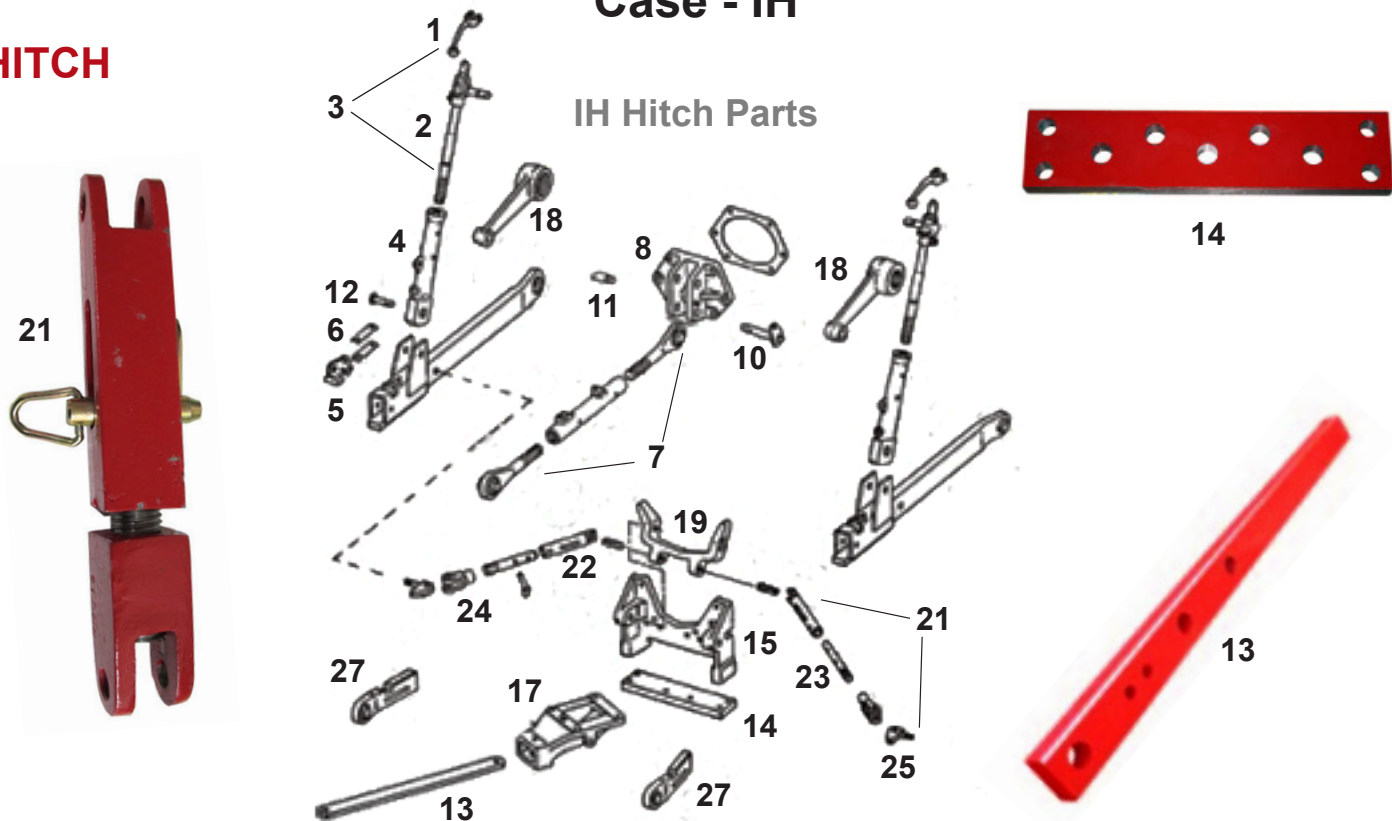
HITCH/FRONT END

Part #	Ref	Wt	Description	Price \$
523861RH	1	1	Crank - 06, 56, 66 series 3 pt.	11.89
527943RH	1	1	Crank - 454 thru 595	12.99
69831CH	2	3	Lift Link Screw - Super A, 100, 130, 140 all w/fast hitch	61.05
69992CH	2	3	Lift Link Screw - 574, 674	61.63
69993CH	2	3.25	Lift Link Screw - 574, 674, 584-884, Hydro 84 Row Crop 585-885, 595-995 all w/ Bar type Rrear axles	61.63
3116725RH	2	3.5	Lift Link Screw - With Bevel gear 395, 495 w/telescope link, 585 to 995 w/flange rear axle, 584, 784, 884	69.95
523864RH	2	3	Lift Link Screw - 300, 330, 340, 400, 450, 460, 504, 2504, 560, 606, 660	50.35
389542RH	2	6	Lift Link Screw - 544, 656, 666, 686, Hydro 70, 86 Series	83.59
382165RH	2	6	Lift Link Screw - 706, 806 w/ 3 point hitch	81.75
398378RH	2	8	Lift Link Screw - 1206, 1256, 1456, 1066, 1466	103.63
108584CH	2	3.5	Upper Adj. Screw - 1066, 1466, 1468, 1566, 1086, 1486, 1586, H186, 3088, 3288, 3388, 3488H, 3588, 3688, 3788, 6388, 6788	53.34
149838CH	2	4	Upper Adj. Screw - 5088, 5288, 5488, 7288, 7488, 7110, 7120, 7130, 7140, 7150	
108583CH	2	6	Lower Adj. Screw - 1066, 1466, 1468, 1566, 1086, 1486, 1586, H186, 3088, 3288, 3388, 3488H, 3588, 3688, 3788, 6388, 6788	62.74
149837CH	2	5.5	Lower Adj. Screw - 5088, 5288, 5488, 7288, 7488, 7110, 7120	
397095RH	3	10	LH Screw Assembly - 756, 856, 826, 1026, 1206, 766, 966, Hydro 100	109.90
397096RH	3	10	RH Screw Assembly - Same application as above	109.90
520067RH	4	3.5	Vertical Lift Housing - Super A, 100, 130, 140	43.43
3121964RH	4	7.5	Vertical Lift Housing - 454, 464, 484, 495, 574, 584, 595, 674, 684, 685, 784, 884	83.30
402635RH	4	7.5	Vertical Lift Housing - 454, 464, 484, 495, 574, 584, 595, 674, 684, 685, 784, 884, 885, 995	79.27
522819RH	4	3.5	Vertical Lift Housing - 300, 330, 350, 400, 450, 460, 504, 2504, 560, 606, 2606, 660	53.95
538970RH	4	11.5	Vertical Lift Housing - 544, 656, 664, 666, 686, Hydro 70, Used on both 2 pt & 3 pt hitches, Rreplaces 389583R1	91.50
395142RH	4	6.5	Vertical Lift Housing - 706, 806 826, 756, 766, 966, 1066	76.15
396752RH	4	16.5	Vertical Lift Housing - 756, 856, 826, 1026, 1206, 766, 966, Hydro 100 (late 706, 806),	94.95
398384RH	4	16	Vertical Lift Housing - 1026, 1256, 1456, 1066, 1468, 1466, 1566, Hydro 100	89.45
72877CH	4	14	Vertical Lift Housing - 1566, 1568, 786-1086, 1486, 1586, Hydro 86, 3388, 3588, 3788, Hydro 3488, 6388, 6588, 6788, Replaces 108588C1	106.25
149836CH	4	13.5	Vertical Lift Housing - 7110-7150, 5088, 5288, 5488	
393500RH	5	1	Latches - 666, 766, 966, 1066, 686, 786, 886, 986, 1086, Category II 3-pt.	22.50
398373RH	5	2	Latches - 1066, 1466, 1566, 1468, 1568, 986, 1086, 1486, 1586, All 88 Series Category III 3 pt.	19.33
398399RH	5	2	Latches - 706, 806, 1206, 656, 756, 826, 856, 1026, 1256, Fast Hitch	19.34
380993RH	6	3	Latch Spring - Farmall 504 & 2504 (above SN 15030), IH 504 & 2504 (above SN 16698), 656, 2656, 544, 254, 664, 666, 686, 606	25.16
382192RH	6	1	Lower Latch Spring - 1066, 1086, 1466, 1468, 1486, 1566, 1568, 1586, 3088-6788, 7110-7150, 7210-7250	7.18
382193RH	6	1	Upper Latch Spring - 1066, 1086, 1466, 1468, 1486, 1566, 1568, 1586, 3088-6788, 7110-7150, 7210-7250	7.42
108632CH	7	26	All IH Category II Hitch Tractors	233.00
108591CH	7	35	All IH Category III Hitch Tractors - 1566, 1086, 1486, 1466, 5288, 5488, 1586, 3388, 3588, 3788	276.45
382212RH	8	24	Top Link Bracket - 706, 806, 986-3688	118.92
389372RH	8	20	Top Link Bracket - 544, 656, 2656, 664, 666,686, Hydro 70 & Hydro 86	136.95
382210RH	10	1	Third Link Bracket Pin - Category II 544, 656, 706, 806, 986	16.73
406685RH	11	1	Lower Pull Arm Front Pin - 656-1026, 666-1468, 686-1486, 3088-3688	17.11

# Case - IH

## HITCH

### IH Hitch Parts



Part #	Ref	Wt	Description	Price \$
406686RH	11	1	Lower Pull Arm Front Pin - 1206, 1256, 1456, 1566, 1586, 3588 3788, 5088, 5288, 5488,6388, 6588, 6788	20.45
1286970CH	13	75	Drawbar - 7110, 7120, 7210, 7220, 8910, 8920	435.20
1286969CH	13	90	Drawbar - 7130, 7140, 7150, 7230-7250, 8930, 40, 50	425.95
381706RH	13	50	Drawbar - Replaces 2 piece drawbar - 706, 806, 756, 826, 856, 1026, 766 (below SN 13892) , 966 (below SN 270896)	221.95
3111194RH	13	30	Offset Drawbar - 354, 364, 384, 424, 444, 2300A	141.95
406467SPL	13	35	Drawbar - 385, 395, 454, 464, 485, 495, 574, 585, 595, 674, 684, 685, 695, 885, 895, 995, 2400, 2500	172.07
223351H	13	64	Drawbar - Replaces 2 piece drawbar 986, 1086, 1486, 1586, 5088,	246.95
223352H	13	67	Drawbar - Replaces 2 piece drawbar for all 06, 56, 66	258.95
223353H	13	77	Drawbar with Hammerstrap holes - Same application as above	259.95
389099RH	13	27	Stub drawbar - 544, 656, 666, 686, H70, H86	140.95
391988RH	13	52	Drawbar - Front tube 1206, 1256, 1456, 1066, 1468	179.13
393501RH	13	37	Drawbar - Front tube 706 (above SN 19250), 806 (SN 14500-23000), 756, 826, 1026, 766 (to SN 13892), 966 (to SN 270896)	265.00
397065RH	13	27	Stub drawbar - same as above	159.95
397066RH	13	40	Drawbar - 1206, 1256, 1456, 766 (above SN 13893), 966 (above SN 270897)	150.36
389065RH	14	15	Drawbar Support Plate - 544, 656, 666, 686, H70, H86	68.33
400714RH	14	16	Drawbar Support Plate - 706, 806, 1206, 756, 826, 1026, 766, 966	84.90
389360RH	15	48	Drawbar Support - 544, 656, 666, 686, H70, H86	279.99
389064RH	15	47	Drawbar Support - Fast Hitch, 706, 806, 756, 856, 826, 1026, 766, 966	279.95
539749RH	15	39	Drawbar Support - 706, 806, 1206, 756, 826, 1026, 856, 766, 966 with 2 piece drawbar	307.55
383385RH	15	38	Drawbar Support - Same applications as above with 1 piece drawbar	279.95
65301CH	16	1.5	Drawbar Stop Block - 766 ( below SN 13892), 966 ( below SN 27089)	19.06
65300CH	16	1.5	Drawbar Stop Block - 1066 (below SN 45021), 1466 (below SN 24402), 1468 (below SN 10083)	19.42
108507CH	16	1.5	Drawbar Stop Block - 766-1586, 3088-3788 all with 1 piece swinging drawbar	15.24
381707RH	17	52	Front Drawbar Support - 706, 756, 806, 856, 766 (below 13892), 966 (below 27089)	286.20
382386RH	19	15	Stabilizer Arm - 706, 806, 1206, 756, 826, 856, 1026, 766, 966, 1066, H100 Category II	166.05
392183RH	19	24	Stabilizer Arm - 1206, 1256, 1456, 1568, 1066, 1466, 1468, 1468, 1566, 1086, 1486, 1586, 3388, 3588, 3788, Category III	187.49
383362RH	20	1	Pivot Pin - 706 thru 1026, Hydro 100 Category II Hitches	22.90
67693CH	20	1	Pivot Pin - 1066 thru 1586, 3388 thru 3788 Category III Hitches	29.75
406242RH	21	8	Complete Sway Limiter - 706 thru 3488 Category II	77.16
406250RH	21	10	Complete Sway Limiter - 1206 thru 3788 Category III	123.98
406243RH	22	3.5	Rear Yoke - 706 thru 1026, Hydro 100, Hydro 186 Category II	46.95
406248RH	22	4.5	Rear Yoke - 1066 thru 1586, 3388 thru 3788 Category III	53.87
386198RH	23	2	Sway Limiter Stud - 706 thru 1026, Hydro 100, Hydro 186 Category II	30.60
406247RH	23	2.5	Sway Limiter Stud - 1066 thru 1586, 3388 thru 3788 Category III	20.74
406244RH	24	2	Front Yoke - 706 thru 1026, Hydro 100, Hydro 186 Category II	39.95
406249RH	24	2.5	Front Yoke - 1066 thru 1586, 3388 thru 3788 Category III	57.58
382397RH	25	1	Rear Stabilizer Eyebolt - Category II with 5/8" pin hole	26.55
392195RH	25	1	Rear Stabilizer Eyebolt - Category III 3 pt with 3/4" pin hole	38.28
392185RH	26	1	Front Stabilizer Eyebolt - 1066-1586, 3388, 3588, 3788 with 3/4" pin hole	18.95
382390RH	26	1	Front Stabilizer Eyebolt - 544-1026, 3088-3688 with 5/8" pin hole	21.91

HITCH/FRONT END



# Case - IH

## HITCH



### Hitch Pump Relief Valve

Fits 766 thru 1566, 786 thru 1586, 1468, 1568, 3388 thru 3788, 6388 thru 6788, Hydro 100

Part #	PSI	Price \$
396729	2300	144.75
543976	2500	144.75

### Case Sway Block



Part #	Fits	Wt.	Price \$
A62428H	730, 830, 930, 770, 870, 970	18 lbs.	97.75

### Drawbar & Drawbar Brackets



Part #	Application	Dimensions/Info.	Wt.	Price \$
A65750H	970, 1070	45.875" long, 2.5" wide, 1.25" high	43.0	206.12
A160849H	1270 SN ↑ 8717277, 1370, 1570, 2390, 2590, 2394, 2594	53.0" long, 3.0" wide, 1.75 high	80.0	266.52
A137939H	2090, 2290, 2094, 2294, 1896, 2096	55.785" long, 2.5" wide, 1.25" high	50.0	302.95
A61557H	1175, 1170-1570, 2090-2590, 2094-3594	Hammer Strap	12.0	101.03
A135435H	1270 & 1370 SN#s ↑ 8800875, 1570, 2090-2590, 2094-3594	Drawbar Roller	4.0	27.19
A57201H	730-1030, 970, 1070	Drawbar Bracket for Tractors w/o 3pt.	18.0	81.77
A59603H	770-1070, 1175	Drawbar Bracket for Tractors w/ 3pt.	28.0	239.40
A62428H	730, 830, 930- all w/3pt., 770, 870, 970	Sway Block	24.0	97.75

### Top Links

#### IH CATEGORY II TOP LINK



Part #	Wt.	Description	Price \$
108632CH	35 lbs.	All IH CATEGORY II Hitch Tractors	233.00

#### IH CATEGORY III TOP LINK



Part #	Fits	Description	Price \$
108591CH	1566, 1086, 1486, 1466, 5288, 5488, 1586, 3388, 3588, 3788	All IH Category III Hitch Tractors	276.45

### Top Link Pin

Part #	Fits	Price \$
382210RH	544, 656, 706, 806, 986.	16.73



### Top Link Brackets

Part #	Fits	Wt.	Price \$
382212RH	706, 806, 986-3688.	24 lbs	118.92



Part #	Fits	Wt.	Price \$
389372RH	544, 656, 2656, 664, 666,686, Hydro 70 & Hydro 86.	20 lbs.	136.95



### HITCHES

Hydraulic Cylinder NOT included - If needed 2 Cylinder Lift add \$37.50

Part #	Application	Description	Price \$
C	C, Super C, 200, 240		543.75
H	H, 300, 350	without drawbar	543.75
HWD	H, 300, 350	with drawbar	594.50
M2	M, 400, 450, 560	without drawbar	580.00
MWD	M, 400, 450, 560	with drawbar	630.75

### 2 pt. to 3 pt. Quick Adaptor

Convert your IH 2 pt. Hitch to 3 pt.

- Heavy duty construction
- Quick coupler design



Part #	Wt.	Description	Price \$
HDQTHL	64.0 lbs./pair	Tongs High Lift	436.95

### International Harvester 3 pt Hitch Sway Limiters



Part #	Wt.	Application	Description	Price \$
522820RH	15	400, 450, 560 w/fast hitch	Sway Limiter	91.35
406242RH	7	756, 856, 826, 1026, 706, 806, 826, 1026, 766, 966, Hydro 100, 986, H100, H186	Sway Limiter Category II Complete	77.16
406244RH	2	SAME AS ABOVE	Front Yoke 3.8 long	39.95
386198RH	2	SAME AS ABOVE	Limiter Stud 8.125L x 1.125	30.60
406243RH	2	SAME AS ABOVE	Rear Yoke 7.25 long	46.95
383363RH	.5	SAME AS ABOVE	Lock out Pin	10.08
406250RH	10	1206, 1256, 1456, 1066, 1466, 1468, 1566, 1586, 1086, 1486, 1586, 3588, 3388, 3788	Sway Limiter Category III Complete	123.98
406249RH	3	SAME AS ABOVE	Front Yoke 3.98 long	57.58
406247RH	3	SAME AS ABOVE	Limiter Stud 1.25 Diameter	20.74
406248RH	4	SAME AS ABOVE	Rear Yoke 6.125 long	53.87
392193RH	.5	SAME AS ABOVE	Lockout Pins	8.48
400836RH	3	544, 664, 656, 666, 686, Hydro 70, Hydro 86	Rear Yoke	45.82
389369RH	2	SAME AS ABOVE	Pin and Yoke 1 pc.	38.63
406243RH	2	706, 806, 826, 1026, 756, 856, 766, 966, 786, 886, 986, H100, H186, H3488, 3088, 3288, 3688	7.250" Long Category II	46.95
406248RH	4	1206, 1256, 1456, 1066, 1466, 1468, 1566, 1588, 1086, 1486, 1586, 3388, 3588, 3788	6.125" Long Category III	53.87



# Ford

## FRONT END

### Spindles



Part #	Application	Wt	Description	Price \$
D2NN3105CH	5000-7000 63-75 for use w/10.00 x 16 tires	19.0	RH	145.22
D2NN3106CH	Same as above	19.0	LH	145.22
C9NN3105CH	8000, 9000	22.0	RH	331.00
C9NN3106BH	8000, 9000	22.0	LH	273.85
D5NN3105CH	8700, 9700, TW5, TW10, TW15, TW20, TW25, TW35	23.0	RH	254.85
D5NN3106CH	Same as above	23.0	LH	274.82
2N3105H	9N, 2N 39-47	11.0	RH	91.95
2N3106H	Same as above	11.0	LH	64.99
8N3105BH	8N 48-52, NAA 53-54	10.0	RH	88.95
8N3106BH	Same as above	10.0	LH	88.95
957E3105H	600, 700, 800, 900, 2000, 4000 55-64 USA built	17.0	RH	82.95
957E3106H	Same as above	17.0	LH	85.97

### Front Hubs



Part #	# Bolts	Application	Wt.	Price \$
86511582H		8N, NAA, Jubilee	8.0	92.69
C9NN1104FH		600, 800, 2000, 2600, 2610, 3000, 3600, 3610	12.0	56.97
C9NN1104EH		4000, 4110, 4600, 4610	12.0	41.86
C9NN1104DH	6	5000, 5600, 5700, 5710, 6600, 6610, 6700, 6710, 7000, 7600, 7610, 7700, 7710 Uses Stud Bolts	13.0	59.75
313020H		Same application as above. Uses Lug Bolts	14.0	103.04

### Tie Rods

Ford 8000 thru TW35 Series Tie Rods



Part #	Application	Wt	Description	Price \$
E3NN3307AAH	8000, 8200, 8400, 8600, 8700, 9200, 9600, 68-76 9000, 9700, for Adj. wide axle	2	Short tie rod RH thread used w/ C7NN3280DH Long tie rod 11 1/2	25.60
C7NN3289CH	Same as above but for all purpose axle	3	Short tie rod RH thread w/.687 taper used w/ C7NN3280DH Long tie rod	31.02
C7NN3280DH	Same application as both above	5	Long tie rod- notches are on bottom	40.51
D8NN3289DBH	8000, 8700, 9700, TW10, TW20, TW30	2	Long tie rod RH threads	63.98
E2NN3289BAH	TW5, 15, 25, 35, ↑ 8/83 w/ HD wide axle	2	Short tie rod	38.21
E2NN3280BAH	Same application as above	10	Long tie rod - 8 cross holes	69.38
E1NN3289AAH	Used w/ any of the long tie rods listed below	3	Short tie rod	50.32
D8NN3280DAH	TW10, 20, 79-83	13	Long tie rod - 8 cross holes	68.22
D8NN3280EAH	TW10, 20, HD & TW30 w/ std. width adj. axle	12	Long tie rod - 7 cross holes	132.42
D8NN3280FAH	Same applications as above but w/ wide adj. axle	16	Long tie rod - 7 cross holes	123.19
E1NN3280AAH	8700, 9700, 8/76 - 78, TW10, 20, reg duty short whl base	11	Long tie rod - 8 cross holes	69.53
E2NN3280AAH	TW5, 15, 25, 35, ↑ 8/83 w/HD wide adj. axle	12	Long tie rod - 8 cross holes	111.75
D8NN3A302AAH	8000, 8700, 9000, 9700, TW5, TW15, TW25, TW30	4	Short tie rod - RH threads	60.65
E6NN3B539AAH	8216, TW5, 15, 25, 35	3	Female tie rod	50.20
D8NN3B539ABH	8000, 8700, 9700, TW10, TW20, TW30	3	Female tie rod	44.88
E3NN3307AAH	8000, 8700, 9700	2	Male tie rod - RH threads	25.60

### Models 2000-4000

Part #	Application	Wt	Description	Price \$
C5NN3A300BH	2000, 2600, 2610, 3000, 3600, 4110 ↑ 1965 all w/PS	2	Frt. drag link end LH thread	21.90
C5NN3308EH	2000, 3000, 65-75, 2610, 3610, 4110, 75-81 less cab, 2600, 3600, 4000, 4100, 4140, 4600 util. (all w/PS)	9	LH rear drag link end	84.25
C5NN3307GH	2000, 3000, 65-75, 2600, 3600, 4100, 75-81 less cab, 2610, 3610, 4110-81-9/84 less cab, 4100 75-81 (all w/PS)	8	RH rear drag link end	88.38
957E3290BH	Super Dexta 57-64, 2000-3000 65-75, 2600, 3600, 4100 7-81 less cab, 2610, 3610 81-9/84 less cab, 3910, 4110 less cab, 4600SU, 4610SU, All w/ manual steering	2	Frt. drag link end LH threads	9.31
957E3307BH	Same application as above, all w/manual steering	2	Rear drag link end RH threads	10.95
D4NN3278AH	2600, 3600, 4100 65-81, 2610, 3610 81-9/84, 3910, 3100, 4100, 4110, 4600, 4610 all w/cabs	2	LH outer tie rod	45.10
E1NN3A300AAH	4100, 4600, 4610	3	Front drag link end	19.21
C5NN3307MH	4100, 4200	5	Tie rod end	95.63
C5NN3282EH	4100, 4600, 4610	5	Tie rod end	27.97
E3NN3307AAH	4400, 4410, 5100, 5200, 5600, 5610, 6000, 6600, 6610, 7100, 7200, 7600, 7610, 8000, 8700, 9700, TW10, TW20	2	Tie rod end	25.60
DONN3A300AH	4000 65-75, 4100, 4600 75-81, 4610	2	Front drag link end	28.93
C7NN3307AH	4000 4/70-75 w/manual strg., 4600 8/70-12/71 w/PS, 4100 (4600 75-81 man. strg.) 4610 ↑ 81 man steering	11	Rear drag link end	49.74
C5NN3289CH	4000 All purpose, (3430, 3939, 4130 manual strg.), 4100, 4600, 4610 manual & PS	2	Short RH outer tie rod	21.40
C5NN3278AH	4000 65-67, 4600 75-81, 4610 ↑ 1981	3	Long LH outer tie rod	25.45

## Ford

## FRONT END

## Tie Rods

## Drag Link Ends for Utility Models 1939-1961



Part #	Application	Weights	Description	Price \$
9N3270H	9N, 2N 39-47	2.0	Drag link end, used on front of drag link	10.69
8N3270H	8N 48-54	2.0	Drag link end, used on front of drag link	10.20
NAA3270AH	NAA, 600, 800 53-61	2.5	Drag link end, LH thread used on front of drag link	12.90
NAA33271AH	Used on all above models	3.0	Drag link end, RH thread	11.99
8N3314DH	8N	3.0	Tie rod tube	42.27

## Ford 5000, 6000, 7000

5000, 6000, 7000 with Power Steering

Part #	Application	Weights	Description	Price \$
E3NN3307AAH	(5100, 7100 9/70↑) 5200, 7200 ↑ 67, 5000, 5600, 5610, 6600, 6610, 7000, 7610	2.0	Short tie rod-RH thread	25.60
C7NN3289CH	5200, 7200 ↑ 67 w/all purpose frt. axle	3.0	Short tie rod-RH thread	31.02
C7NN3281AH	5610, 6610, 7710 81-3/85 (5900 ↑ 85) 5600, 6600, 7600 ↑ 75, 5100, 7100 ↑ 65	4.0	Long tie rod	30.36
E3NN3B539AAH	5610, 6610, 6710, 7610, 7810, ↑ 85, 5100, 5600, 5900, 6410, 6600, 6810, 7100, 7600	3.0	Tie rod end	50.90
E3NN3278ABH	5610, 6610, 6710, 7610, 7810 ↑ 81, 5100, 5600, 5900, 6410, 6600, 6810, 7100, 7600	7.0	Tie rod-male	95.51
E3NN3N981AAH	5110, 5610, 5900, 6410, 6610, 6810, 7610	2.5	Tie rod-RH threads	35.96
D8NN3A302AAH	5700, 6700, 6710, 7700, 7710	3.0	Tie rod-RH threads	60.65
E3NN3289AAH	5100, 5110, 5600, 5610, 6410, 6600, 6610, 7100, 7600, 5900, 6810, 7610	2.5	Tie rod-female	63.97
C5NN3282FH	Same application as above	4.0	Tie rod-male	27.45
E6NN3B539AAH	7700, 7710, 7910	3.0	Tie rod-female	50.20
D8NN3B539ABH	5700, 6700, 6710, 7700, 7710	3.0	Tie rod-female	44.88

With Manual Steering

Part #	Application	Wt	Description	Price \$
C7NN3304CH	500 & 7000 65-75 replaces thread style link used 65-12/67, 5600, 6600, 7600 71-81, 5610 & 6610 ↑ 81, 5100, 5610, 6410, 7100 All w/manual stg	11.0	Drag link	108.53
C5NN3308CH	5000, 5600, 6600, 5610, 6600, 6610, 7000 65-12/67	2.0	Front drag link end-LH threads	21.90
C7NN3A300AH	5100 (5000, 7000 68-75) also 65-12/67 when repl non thread link (5600, 6600, 7600 75-81) 5610, 6610 ↑ 1981, 6410, 7100	2.5	Front drag link end	31.31
C5NN3307EH	5000, 5100, 7000, 65-12/67	2.0	Rear drag link end-RH threads	31.60
C7NN3307BH	5000, 7000 68-75, also 65-12/67 when repl. non thread link (5600, 6600, 7600 75-81) 5610, 6610 ↑ 81, 5100, 6410, 7100, 7610	8.0	Rear drag link end	66.63
C5NN3281CH	5000, 7000 65-67, 5600, 6600, 5610, 6610 65-5/67	4.0	Left hand outer tie rod	40.72
C7NN3280FH	5000 & 7000 6/67-75, 5600, 6600, 7600, 5610, 6610 6/67 ↑ 5100, 6410, 7100	4.5	Left hand outer tie rod	27.26
C5NN3280FH	5000, 5600, 5610, 6600, 6610, 7000 65-5/67 all w/man strg.	4.0	RH outer tie rod	45.80
C7NN3289EH	5000, 7000 6/67-75, 5100 (5600, 6600, 7600 75-81) 6410 (5610, 6610 ↑ 81) 7100, 7610	2.0	Right hand outer tie rod	26.77

## Steering Arms



Part #	Application	Wt	Description	Price \$
310799H	Dexta, NAA, 2100, 2600, 3100, 3600, 4100, 4140, 600, 700, 800, 900, 8N	2	RH/LH steering arm	63.95
E3NN3130AAH	5100, 5110, 5600, 5610, 5900, 6410, 6600, 6610, 6810, 7100, 7600, 7610, All w/power steering	5	RH-tie rod attaches to top of steering arm	64.37
E3NN3131AAH	Same as above	5	LH steering arm-tie rod attaches to top of steering arm	81.64
C5NN3130AH	5100, 5600, 5610, 5900, 6600, 6610, 7100, 7600, 7610, all w/power steering	4	RH steering arm-tie rod attaches to bottom of steering arm	71.78
C5NN3131AH	Same as above	4	LH steering arm-tie rod attaches to bottom of steering arm	61.63
D5NN3130CH	5700, 6700, 6710, 7700, 7710, 8700, 9700, TW5, TW15, TW25 all w/long wheel base	8	RH steering arm-39 spline	117.81
D5NN3131BH	Same application as above	12	LH steering arm-39 spline	321.95
D5NN3130BH	5700, 6700, 6710, 7700, 7710, 8200, 8700, 9700, TW10, TW20 all w/short wheel base	9	RH Steering arm-39 tooth spline	71.78
D5NN3131CH	Same application as above	8	LH Steering arm-39 tooth spline	50.68
D2NN3130AH	8000, 8600, 9000, 9600	5	LH on wide adj fronts, RH on all purpose fronts-36 tooth spline	116.58
D2NN3131BH	Same as above	5	RH on wide adj fronts, LH on all purpose fronts	150.95
D8NN3130HAH	TW10, TW20 w/long wheel base	8	RH 39 spline	151.96
D8NN3131GAH	Same as above	12	LH 39 spline	206.77
D8NN3130GCH	TW10, TW20, TW30 all w/hvy duty axle	8	RH 42 spline	151.96
D8NN3131JAH	Same as above	12	LH 42 spline	329.95

Prices are subject to change without notice, call to verify price & availability.

# Ford

## FRONT END

### Front Wheels



Part #	Size	Wt.	Description	Price \$
RDC319SM	3 x 19	15	FORD-blank rim use your center 2N, 8N, 9N	55.00
W45166	4.5 x 16	18	FORD-6 bolt 4.62 pilot 8N, NAA, Jubilee, 600, 800, 2000, 4000	70.95
FR3195	3 x 19	16	FORD-5 bolt large center for 2N, 9N	93.42
FR3196	3 x 19	18	FORD-6 bolt small center 8N	93.42

## HITCH

### Ford Replacement Leveling Box Assemblies, Lift Arms & Components

Part #	Application	Dimensions/Info.	Wt.	Price \$
8N577AH	2N, 8N, 9N, NAA	R.H. Box Assembly	14 lbs.	70.65
NCA577AH	2N, 8N, 9N, NAA, 600, 700, 800, 900	R.H. Box Less Fork	6 lbs.	59.65
957E566H	same as above	L.H. & R.H. Knuckle	2 lbs.	9.95
8N564BH	2N, 8N, 9N, NAA	L.H. Lift Rod Assembly	9 lbs.	45.55
C5NNB863AH	2N, 8N, 9N, NAA, 600, 700, 800, 900	L.H. Lift Rod w/Knuckle	3 lbs.	20.23
ECON585AH	2N, 8N, 9N, NAA	Leveling Yoke Fork	6 lbs.	23.95
NCA585BH	600, 700, 800, 900	same as above	6 lbs.	30.75
EONN569AAH	2000, 2600, 2610, 3000, 3100, 3600, 3610	R.H. Assembly	14 lbs.	
NCA577AH	same as above	R.H. Box Less Fork	6 lbs.	59.65
EONN585BAH	same as above	L.H. & R.H. Fork	6 lbs.	23.00
2N564BH	2000, 2600, 2610, 3000, 3100, 3600, 3610	L.H. Lift Rod Assembly	10 lbs.	53.80
957E566H	same as above	L.H. & R.H. Knuckle	2 lbs.	9.95
C5NNB863AH	same as above	L.H. Yoke Rod	3.0 lbs.	20.23
8N564BH	2N, 8N, 9N,	L.H. Yoke Rod-Non Adj.	9.0 lbs.	45.55
C5NN564BH	2000, 2600 only (175-11/78)	same as above	3 lbs.	
C5NN569AMH	4000, 4600	R.H. Box Assembly Complete	14 lbs.	75.75
NCA577AH	4000, 4600	R.H. Box Less Fork	6.0 lbs.	59.65
957E566H	4000, 4600	L.H. & R.H. Knuckle	2.0 lbs.	9.95
C5NN585BH	4000, 4600	L.H. & R.H. Fork	2.0 lbs.	36.07
4N564BH	4000, 4600	L.H. Complete Lift Arm	13 lbs.	78.95
E4NNN673AAH	4000, 4600	L.H. Yoke Rod	5 lbs.	27.41
D2NNN983WFH	5000, 5100, 5200, 5600, 6600, 6610, 6700, 7100, 7200, 7600	R.H. Leveling Box w/Fork	34 lbs.	144.93
D2NNN983AH	same as above	R.H. Box Less Fork	22 lbs.	101.43
C5NNN579CH	same as above	Rod & Gear only for above Box Assembly	7 lbs.	57.64
C7NNA935CH	same as above	L.H. & R.H. Yoke Fork	13 lbs.	50.97
C5NNB863CH	same as above	L.H. Yoke Rod	7 lbs.	47.63



## Drawbar



Part #	Application	Dimensions/Info.	Wt.	Price \$
9N5182AH	2000, 3000, 2600, 3600	32.8750 long, 1.8750 wide, 1.125 high, 1.5 offset	18.0 lbs.	27.61
C5NN805CH	2000, 3000, 4110 all w/swinging, 2600, 3100, 3600	32.50 long, 20 wide	20.0 lbs.	190.54
C5NN805JH	(2810-4610, 4100 & 4600 all w/clevis) 3230-4830 ↑ 7/90	1.250 high, 2.750 offset	24.0 lbs.	282.95
C5NN805AH	5000 & 7000 both '65-6/73, 7100, 7200	34.750 long, 2.250 wide, 1.3750 high	32.0 lbs.	144.95
E3NN805AA12BH	5110-6810, 5640HDd-7740HD ↑ '11/91	41.750 long, 30 wide, 1.3750 high	48.0 lbs.	182.12
C7NN805CH	8000, 9000 TW10, 20, 30—Call A & I	41.750 long, 30 wide, 1.3750 high	49.0 lbs.	179.25
D8NN805AAH	TW30 ↑ 179, TW30, 8830 ↑ 183	42.250 long, 3.00 wide, 1.6250 high	38.0 lbs.	163.49

## Stabilizer Chains

Weight is approx. 5 lbs.



Part #	Application	Price \$
CFPND936B	Fits 3055, 4600-7600, 5100 & 7100, 5110, 6610-7610	34.68

## Lower Lift/Pull Arm Right Hand/Left Hand



Part #	Application	Wt.	Description	Price \$
9N555BH	Fits 2N, 8N, 9N, NAA '53-'54	33 lbs.	*These arms are heat treated	44.55

## Rear Wheels

other sizes available on request

Part #	Size	Wt.	Description	Price \$
RC10286	10 x 28	48	6 Loop 10x28 Fords, Ferguson utilities etc.	131.14
RC12286	12 x 28	68	6 Loop 12x28 SAME AS ABOVE	160.95

## Front Wheel Bearing AG Kits

Part #	Application	Price \$
CBPN1200A	8N, 9N, 27, 7AA, 600, 700, 800 900, 2000, 4000, early	27.68
FW94WS	4000, 65-75	13.34
FW96WS	5600, 5700, 6600, 6700, 7600, 7700	17.98



## Swinging Drawer Kit

For 8N, NAA, 600, 2000, TO20, TO64, MF35 & 50  
Kit includes drawbar, hanger & clevis Assembly

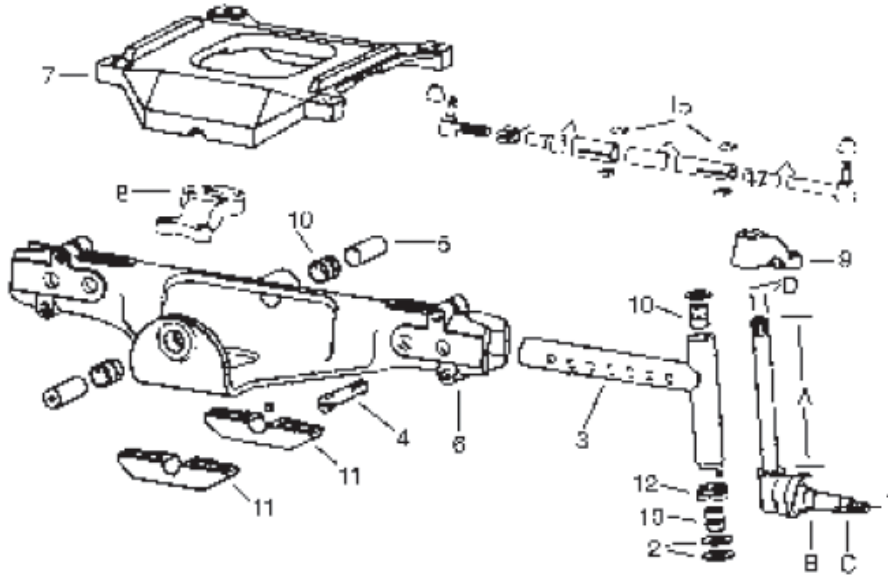
Part #	Wt.	Price \$
D2NN3A710BH	37 lb	99.95



HITCH/FRONT END

# John Deere

## FRONT END



HITCH/FRONT END

Part #	Ref	Wt	Description	Price \$
AA5789RH	1	21	Row Crop Spindles - A, AO, AR, B, G, GH, 50, 60, 70, 520, 530, 620, 630, 720, 730	207.95
AR55180H	1	22	Row Crop Spindles - 2510,3010,3020,4000,4010,4020,4320, 2520 (above SN 022001)	173.95
AR55179H	1	20	Row Crop Spindles - 3010, 3020, 4010, 4020, 4320, Standard non-Adj.. front axle	173.93
AR50983H	1	11	Row Crop Utility Spindles - 3010, 3020	211.27
AR50981H	1	27	Row Crop Spindles - 2510, 4010, 4020, Hi-Crop 2520, Hi-Crop (above SN 22001)	271.49
AR69323H	1	15	Row Crop Spindles - 4030, 4230, 4430	193.78
AR53850H	1	15	Row Crop Spindles - LH/RH, 4030	430.33
AR81954H	1	15	Row Crop Spindles - 4055,4230,4430,4040,4240,4440,4050,4250,4450,7600,7700,7800	214.85
AR82754H	1	29	Row Crop Spindles - 4055,4255,4455,4240,4440, 4050,4250, Hi-Crop axles	465.42
AR53880H	1	15	Row Crop Spindles - 4630, 4640,4840,4650, 4850, 4555-4955, 4560, 4760, 4960	349.16
RE57642H	1	30	Row Crop Spindles - 7200, 7400, 7410 (below 011540), 7510 (below 030000)	248.38
RE71278H	1	30	Row Crop Spindles - 7210 (010921 up), 7410 (011541 up), 7510 (030001 up),7220,7230,7420 - Spindle has shoulder for thrust bearing	268.35
AR103473H	1	11	Utility Spindles - Keyed, 820, 830, 1530, 1020, 1520, 2020 Sweep back, 2040, 2030 SN - 187300	188.06
AR103472H	1	11	Utility Spindles - Keyed, 1020, 1520, 1530, 2030, 2630, 2040, 2240, 2600, 2440 (below SN 340999), 2020, Sweep back, 820, 830	163.77
AR103471H	1	15	Utility Spindles - Keyed 1020, 1520, 1530, 2020, 2630 Str axle, 2030, 2440, 2640, (below SN 340999), 2240	171.70
AR67416H	1	18	Utility Spindles - Splined, 1020 HD, 1520, 2020, 2030, 2630 Hi-knee, 2440, 2640 (below SN 340999)	372.68
AR67417H	1	16	Utility Spindles - Splined, 1020, 1520, 2020, 2060, 2630, Medium knee, 2440, 2640 (above SN 340999)	328.86
AR58606H	1	12	Utility Spindles - Keyed 820, 2150, 2255 Sweep back, 2155-2755 Mid-hi axle, 2350 low profile	151.34
AT34973H	1	16	Utility Spindles - LH/RH 2630, 2440 (above SN 341000), 2510, 2155, 2355, 2855 Sweep back	420.29
AR58607H	1	12	Utility Spindles - Splined 2155 Hi-Straight axle	177.24
AT76138H	1	40	Utility Spindles - Splined, 2355, 2555, 2750, 2755, GP models w/extra heavy duty fixed axle	449.15
AR91149H	1	16	Utility Spindles - 2440, 2640 SN 341000, Sweep back axle	237.40
AR91150H	1	16	Utility Spindles - LH/RH 2440, 2640 (above SN 341000) Straight axle	283.75
AR76932H	1	16	Utility Spindles - LH/RH 2440, 2640 Med Knee	279.50
AR76933H	1	18	Utility Spindles - Splined 2440 Hi-Knee, 2640 (above SN 331510), Hi-Knee 2355, 2555 Mid-Knee, 2755	287.52
AL57578H	1	17	Utility Spindles - Splined 2355, 2555 Mid-Knee, 2755	473.40
AL38381H	1	19	Utility Spindles - Splined 2150-2750, 2155-2755, 6100-6500, 6210-6510, 6120-6420 all low profile	393.17
AL28222H	1	19	Utility Spindles - Splined 2350, 2550, 2355, 2555, 2755 Hi-knee	228.98
AL57855H	1	30	Utility Spindles - 3050,2955-3255,6100-,6500,6110-6410, 6220-6520 w/fender mounting bracket	544.56
A890RH	2	1	Thrust Washer (2 per spindle) - AAO AR B G H 50 60 70 520 620 720 530 630 730 - Factory wide fronts	9.95
R49838H	2	1	Thrust Washer (2 per spindle) - 4030-4430, 4040-4440, 4020-4450, 4255, 4455, 6100-6300, 6110-6410, 6120- 6420, 7200-7800, 7210-7810	6.43
AR50963H	3	40	Knee Extension - 2510, 2520, 3010, 3020, 4000, 4020, 4320	346.95
AR80193H	3	63	Knee Extension - 4230,4430,4040,4240,4440,4055,4255,4455 - LH with reg. Adj.. front axle 52-72"	488.74
AR80192H	3	63	Knee Extension - 4230,4430,4040,4240,4440,4055,4255,4455 - RH with reg. Adj.. front axle 52-72"	488.74
B2694RH	4	2	Lock Bolt - 2510 3010 4010 4000 4020 4320 4230	19.72
R54195H	5	4	820, 830, 1020, 1520, 1530, 2020, 2030, 2630, 2040, 2240, 2640	25.58
R27817H	5	3	Front and Rear Pivot Pin -2510, 2520, 3010, 3020, 4000, 4020, 4320	37.31
T29205H	5	3	Front Pivot Pin -2840, 2940, 2950, 2955, 4030, 4040, 4050, 4055, 4230, 4430, 4440, 4255, 4455	20.24
L40771H	5	4	Front Pivot Pin -2955, 3055, 3050, 3150, 3150, 3350, 3650	32.74
T21669H	5	4	Front Pivot Pin -1020, 1520, 1530, 2020-2040, 2630, 2240-2640, 2750,2550, 2555, 2755, 2150, 2155, 2350, 3050, 3350	16.31
R51798H	5	3	Rear Pin Pivot Pin - 4030, 4230, 4430, 4040, 4240, 4440, 4050, 4250, 4450, 4055, 4455, all MFWD	22.69
R79996H	5	3	Front Pin Pivot Pin - 4630, 4640, 4840, 4050 to 4855, 4560 to 4960	34.95
R73635H	5	3	Rear Pivot Pin - Same as above	36.82
AR50865H	6	165	Center Axle Housing - 2510 2520 3010 4010 3020 4000 4020 4320 4230	1,109.40
AA5765RH	7	70	Center Pivot - 50, 520, 530, 60, 630, 70, 720, 730	344.64
AR69836H	7	120	Center Pivot - 2510, 2520, 3010, 3020, 4000, 4020, 4320	472.61



# John Deere

## FRONT END

Part #	Ref	Wt	Description	Price \$
F3176RH	8	5	Center Steering Arm - 520 620 720 530 630 730 - all with square front axle	82.95
R27808H	8	13	Center Steering Arm - 2510, 2520, 3010, 3020, 4000, 4010, 4020, 4320	123.05
R61159H	8	13	Center Steering Arm - 4430 4240 4440 4050 4250 4450 4055 4255 4455	162.92
R51121H	8	13	Center Steering Arm - 4630 4640 4555 4755 4560 4760 - all with MFWD	131.81
F3174RH	9	8	Outer Steering Arm RH - 520, 530, 620, 630, 720, 730	135.10
F3175RH	9	8	Outer Steering Arm LH - Same as above	135.10
R47765H	9	7	Outer Steering Arm RH - 2510, 2520, 3010, 3020, 4000, 4010, 4020, 4320	57.75
R47766H	9	7	Outer Steering Arm LH - Same as above	57.75
R61152H	9	9	Outer Steering Arm RH - 4430, 4240, 4440, 4050, 4250, 4450, 4055, 4455	71.92
R61153H	9	9	Outer Steering Arm LH - Same as above	71.92
R49849H	9	11	Outer Steering Arm RH - 4630, 4640, 4650, 4555, 4755, 4560, 4760	123.18
R49851H	9	11	Outer Steering Arm LH - Same as above	161.74
R66128H	9	12	Outer Steering Arm RH - 4840, 4850, 4955, 4960	82.60
R66129H	9	12	Outer Steering Arm LH - Same as above	81.35
R52838H	9	13	Outer Steering Arm RH - 5020, 6030	208.95
R52839H	9	13	Outer Steering Arm LH - Same as above	189.95
A877RH	10	1	Front Pivot Bushing - AAO AR B G H 50 60 70 520 620 720 530 630 730 4020 wide front	8.50
R52188H	10	1	Front Pivot Bushing - 4630 4640 4840 4650 4850 4555 4755 4955 4560 4760 4960	11.42
R65827H	10	1	Rear Pivot Bushing - 4040 4240 4440 4050 4250 4450 4255 4455	10.71
AR30154H	11	5	Pivot Plate Clamp - 2510 2520 3010 4010 3020 4000 4020 4320	66.57
B2693RH	12	1	Thrust Washer Shield - 2510 3010 4010 3020 4020 4320 - used w/AR50912 & 13 extensions	10.15
T25809H	13	17	6 Bolt Front Axle Hub - 1020, 1520, 2020, 1530, 2630, 2640	64.26
R49839H	13	17	6 Bolt Front Axle Hub - 1020, 1520, 2020, 2030, 2630 HD, 2640 Orchard, 2150, 2255, 2350, 2550	70.47
R47076H	13	18	6 Bolt Front Axle Hub - 2150, 2255, 830, 1530, 2040, 2240, 2150, 2350, 2550	62.50
R62436H	13	19	6 Bolt Front Axle Hub - 2440	149.72
R48763H	13	19	6 Bolt Front Axle Hub - 2510, 2520, 3010, 3020, 4000, 4010, 4020, 4320	62.53
R49841H	13	25	6 Bolt Front Axle Hub - 2955, 3055, 3255, 4030, 4230, 4430, 4040, 4240, 4440, 4050, 4250, 4450, 4455	83.04
R63556H	13	28	6 Bolt Front Axle Hub - 2355-2855, 2750, 4520, 4620, 5020, 6030, 4630, 4640, 4840, 4650, 4850, 4555-4955, 4560-4960	119.71
913555	14	0.5	9/16" Wheel Hub Bolt	1.58
943558	14	0.5	5/8" Wheel Hub Bolt	2.15
R28024H	15	0.75	Tie Rod Wedge Block - Used on all two wheel drive models	1.58

### 2 Cylinder Front-end Round Axle



Part #	Description	Price \$
AB3633RH	Center Steering Arm with balls	87.00
AB4685RH	Steering arm RH outer with balls	182.10
AB4686RH	Steering arm left hand with balls	182.10
AF1187RH	Inner tie rod	58.00
F1617RH	Steering balls	13.95
B2696RH	Outer tie rod	36.25
H982RH	Tie rod end housing	45.00
C985	7/8 Fine wheel nut	1.99

### 2 Cylinder Front-end Square Axle



Part #	Description	Price \$
AA5765RH	Center Pivot Plate	344.64
AF3206RH	Tie rod L.H. Early	75.00
AF3207RH	Tie rod R.H. Early	75.00
F3624RH	Tie rod L.H. Late	105.99
F3625RH	Tie rod R.H. Late	122.92
F3176RH	Center Steering Arm	82.95
AR21944RH	Tie rod end R.H.	22.74
AR21945RH	Tie rod end L.H.	19.58
F3174RH	Steering arm R.H.	135.10
F3175RH	Steering arm L.H.	135.10

## SPINDLES

### Spindles for John Deere Row Crop Tractors



Part #	Application	Wt	Description	Price \$
AA5789RH	A, AO, AR, B, G, GH, 50, 60, 70, 520, 530, 620, 630, 720, 730, factory wide fronts only	21.0	LH/RH	207.95
AR55180H	2510, 3010, 3020, 4000, 4010, 4020, 4320	21.5	LH/RH	173.95
AR50983H	3010, 3020 row crop utilities	10.75	LH/RH	211.27
AR69323H	4030, 4230, 4430	15.0	LH/RH	193.78
AR81954H	4230, 4430, 4040, 4240, 4440, 4050, 4250, 4450, 4055, 4255, 4455	15.0	LH/RH	214.85

### Spindles for John Deere Utilities

Part #	Application	Wt	Description	Price \$
AR103472H	1020, 1520, 1530, 2030, 2630, 2040, 2240, 2640 & 2440 SN↓ 340999, 2020 swept back, 820, 830	11.0	LH/RH	163.77
AR58606H	820, (2150, 2255 swept back) 2155, 2355, 2555, 2755 mid-high axle, 2350 low profile	11.5	LH/RH	151.34
AR74606H	2350, 2550, 2555, 2755, HD axles	21.0	LH/RH	277.75

# John Deere

## FRONT END

### Front Hubs

Part #	# Bolts	Application	Wt.	Price \$
T25809H	6	1020, 1520, 2020, 1530, 2630, 2640	18	64.26
R49839H	6	1020, 1520, 2020, 2030, 2630 HD, 2640 Orchard, 2150, 2255, 2350, 2550	18	70.47
R47076H	6	2150, 2255, 830, 1530, 2040, 2240, 2150, 2350, 2550	18	62.50
R62436H	6	2440	19	149.72
R48763H	6	2510, 2520, 3010, 3020, 4000, 4010, 4020, 4320	19	62.53
R49841H	8	2955, 3055, 3255, 4030, 4230, 4430, 4040, 4240, 4440, 4050, 4250, 4450, 4455	25	83.04
R63556H	8	2355, 2555, 2755, 2855, 2750, 4520, 4620, 5020, 6030, 4630, 4640, 4840, 4650, 4850, 4555, 4755, 4955, 4560, 4760, 4960 & 9940-9960 Cotton Pickers	28	119.71



### Tie Rods

#### Complete Tie Rod Assemblies



Part #	Application	Wt	Description	Price \$
AR44332H	2510, 2520, 3010, 3020, 4000, 4010, 4020, 4320, 4230	11.0	3.750 short tie rod, 12.3750 large outer tube one end threaded, 11.50 small inner tube, 12.750 long outer tie rod	119.90
AR44334H	Same as above but w/880 wide tread & 4320 w/MFD	11.0	3.875 short tie rod, 12.3750 larger outer tube, one end threaded, 15.50 extra long tube, 12.750 long outer tie rod	122.89
AR44335H	4030, 4230, 4430, 4040, 4240, 4440, 4050, 4250, 4450, 4455, 4255All w/narrow wide axles	12.0		91.42
AR44336H	Same as above, but w/reg wide front axles	12.0	3.8120 short tie rod, 17.50 tube, 16.00 outer tie rod	94.47
AR44337H	Same application as above, but w/extra wide row front axles	12.0	3.8120 inner tie rod, 20.50 tie rod tube, 18.750 long tie rod	122.01
AR44338H	4230, 4430, 4040, 4240, 4440, 4050, 4250, 4450, 4055, 4255, 4455 all Hi-Crop	12.0	3.8120 inner tie rod, 18.3750 tie rod tube, 16.00 outer tie rod	102.59
AR44339H	4230, 4430, 4630, 4040, 4240, 4440, (4640 SN ↓2436) all w/MFD	12.0	4.1870 short tie rod, 17.3750 tie rod tube, 22.50 long tie rod	104.04
AR44340H	4630, 4640, 4650, 4555, 4755, 4560, 4760, all w/reg wide frt. axles	13.0	3.4370 short inner tie rod, 17.3750 tie rod tube, 16.2500 long outer tie rod	115.06
AR44341H	4630, 4640, 4650, 4555, 4755, 4560, 4760, all w/extra wide front axles	12.0	4.1870 short tie rod, 19.750 extra long tie rod tube, 19.50 extra long tie rod	149.95
AR44342H	4640 SN ↑2437 MFWD	12.0	4.8710 short tie rod, 19.750 tie rod tube, 21.00 long tie rod	144.86
AR44343H	4840, 4850, 4955, 4960, all w/reg. wide frt. axles	12.0	3.8750 short inner tie rod, 17.00 tie rod tube 15.8750 long outer tie rod	135.79
AR44344H	4840, 4850, 4955, 4960, all w/extra wide frt. axles	12.0	4.8710 short tie rod, 20.750 tie rod tube, 18.50 long tie rod	139.06
RE12324H	4050, 4250, 4450, 4650, 4850, 4055, 4255, 4455, 4555, 4755, 4955, 4560, 4760, 4960 all w/MFWD	12.0	5.8750 inner tie rod, 19.500 tie rod tube, 5.8750 LH thread outer tie rod	125.06

### Utility Tractors



Part #	Ref.	Application	Dimension		Wt	Description	Price \$
			A	B			
AL39019H	A	1530, (2155 & 2355 w/swept back)	9.25	0.781	2.5	Ball joint-8 notches	34.54
AL39020H	B	1530 (2155, 2355N, 2855N w/swept back) 2355, 2555, 2755	5.00	1.125ID	3.0	Ball joint	46.12
AL39022H	A	2155, 2355N, 2855 w/swept back axle	12.25	0.781	3.0	Ball joint-11 notches	33.50
AL39024H	A	2155 w/straight axle, 2355, 2555, 2755	14.509	0.781	3.0	Ball joint-13 notches	38.92
AL68629H	B	2155, 2355N, 2855N all w/swept back axle	5.00	1.125ID	3.0	Ball joint-left hand	49.23
AR74131H	C	2355, 2555, 2755 all RH GP tractors	3.75	1.0	2.0	Ball joint-RH threads	47.95
AR74132H	C	2355, 2555, 2755 all w/LH GP tractors	3.75	1.0	2.0	Ball joint-LH threads	44.45
AT20943H	D	1020, 1520, 2020 all w/swept back adj axle 480-780	12.5	0.75	3.0	Tie rod-11 grooves	71.96
AT20945H	D	1020, 2020 w/swept back adj axle 440-660	9.75	0.75	2.0	Tie rod-8 grooves	38.57
AL82826H	C	1830, 2030, 2130, 140, 1840, 2040, 2040S, 2140, 2250-2850, 2355-2755	3.88	24 mm	2.0	Tie rod	39.73
AL37505H	A	1830, 2030, 2130, 1640-2040, 2040S, 2140, 2940, 2250-2850, 2955, 3055, 3255	12.62	0.865	3.0	Tie rod-6 notches	47.59
AR68818H	E	820, 830, 1020, 1520, 1530, 2040, 2240	35.781	1.0	11.0	Drag link assembly	100.45
AR91711H	E	2020, 2030, 2630, 2440	40.75	1.0	12.0	Drag link assembly	71.95

**Call, Click, or Stop By T.H.E. Company**

# John Deere

## FRONT END

### Tie Rods - Models 4030 through 4960



Part #	Application	Wt	Description	Price \$
AR63589H	4630, 4640, 4650, 4555, 4755, 4560, 4760-all w/reg. wide front axle	2.0	Short inner tie rod-RH thread	30.78
R55075H	Same as above	3.5	Tie rod tube	53.51
M2301TH	Same as above	0.5	Clamp	7.32
AR63833H	Same as above	5.0	Long outer tie rod-8 cross holes	57.50
AR63590H	4630, 4640, 4650, 4555, 4755, 4560, 4760 all w/extra wide frt axle	2.5	Short tie rod	38.95
R54968H	Same as above	4.0	Extra long tube	47.13
M2301TH	Same as above	0.5	Clamp	7.32
AR63595H	Same as above	6.5	Extra long tie rod-9 cross holes	79.25
AR85943H	4640 SN ↑ 2437 w/MFWD	3.75	Short tie rod	46.50
R66303H	Same as above	5.0	Tie rod tube	71.05
R66307H	Same as above	0.5	Clamp	5.06
AR85947H	Same as above	8.5	Long tie rod-8 cross holes	70.98
AR85945H	4840, 4850, 4955, 4960 all w/reg. wide frt. axles	2.0	Short inner tie rod-RH thread	56.49
R66305H	Same as above	4.0	Tie rod tube	52.20
R66307H	Same as above	0.5	Clamp	5.06
AR85946H	Same as above	7.0	Long outer tie rod-8 cross holes	87.07
AR85943H	4840, 4850, 4955, 4960 all w/extra wide front	3.75	Short tie rod	46.50
R66304H	Same as above	5.5	Long tie rod tube	52.20
R66307H	Same as above	0.5	Clamp	5.06
AR85944H	Same as above	7.55	Long tie rod-9 cross holes	101.96
RE12325H	4050, 4250, 4450, 4650, 4850, 4055, 4255, 4455, 4555, 4755, 4955, 4560, 4760, 4960 all w/MFWD	4.0	Inner tie rod-RH thread	45.89
R78024H	Same as above	4.5	Tie rod tube	28.93
RE12326H	Same as above	4.0	Outer tie rod-LH thread	47.33
AR63588H	4030, 4230, 4430, 4440, 4050, 4250, 4450, 4055, 4255, 4455 all w/narrow row wide front axle	2.0	Inner tie rod-RH thread	24.78
R54964H	Same as above	3.0	Tie rod tube	28.93
R28023H	Same as above	0.5	Clamp	2.20
AR63591H	Same as above	4.0	Long tie rod-7 cross holes	50.55
AR63588H	4030, 4230, 4430, 4040, 4240, 4440, 4050, 4250, 4450, 4055, 4255, 4455 all w/reg wide front axle	2.0	Inner tie rod-RH thread	24.78
R54963H	Same as above	3.0	Tie rod tube	35.89
R28023H	Same as above	0.5	Clamp	2.20
AR63592H	Same as above	4.5	Outer tie rod-8 cross holes	40.30
AR63588H	4030, 4230, 4430, 4040, 4240, 4440, 4050, 4250, 4450, 4055, 4255, 4455, all w/extra wide low front axles	2.0	Inner tie rod-RH thread	24.78
R54965H	Same as above	4.0	Tie rod tube	60.36
R28023H	Same as above	0.5	Clamp	2.20
AR63593H	Same as above	5.0	Long tie rod-9 cross holes	59.31
AR63588H	4230, 4430, 4040, 4240, 4440, 4050, 4250, 4450, 4055, 4255, 4455 all Hi crop models	2.0	Inner tie rod-RH thread	24.78
R54966H	Same as above	3.0	Tie rod tube	47.13
R28023H	Same as above	0.5	Clamp	2.20
AR63592H	Same as above	4.5	Outer tie rod-8 cross holes	40.30
AR63590H	4230, 4430, 4630, 4040, 4240, 4440 (4640 SN ↓ 2436) all w/MFWD	2.5	Short tie rod	38.95
R55075H	Same as above	3.5	Tie rod tube	53.51
M2301TH	Same as above	0.5	Clamp	7.32
AR63587H	Same as above	7.5	Long tie rod-8 cross holes	61.12

**for ALL your Agricultural Needs!**

# John Deere

## FRONT END

### Tie Rods

Row Crop Tractors



Part #	Application	Weights	Description	Price \$
F3624RH	520, 530, 620, 630, 720 730	3.5	Inner tie rod-vert. holes	105.99
F3625RH	Same application as above	3.5	Outer tie rod-7 horizont holes	122.92
AR21944H	520, 530, 620, 630, 720, 730	3.0	Short tie rod-RH thread	22.74
AR21945H	Same as above	3.0	Short tie rod-LH thread	22.75
AT27130H	2020, 1530, 2030, 2630, 2040, 2440, 2640	3.0	Inner tie rod	45.18
AT23886H	2240, 2440, 2630, 2640	3.0	Inner tie rod	57.75
AT23583H	1520, 2020, 1530, 2030, 2630, 2040, 2240, 2440, 2640	3.0	Long outer tie rod-15 grooves	35.05
AT23885H	2020, 1530, 2030, 2630, 2040, 2240, 2440, 2640	3.0	Long tie rod-11 notches	28.35
AT27134H	2020, 1530, 2030, 2630, 2240, 2440, 2640	3.0	Long outer tie rod-13 notches	41.54
AT27131H	1520, 2020, 1530, 2030, 2240, 2440	3.0	Long outer tie rod-8 notches	27.91
T22952H	1520, 2020, 1530, 2030, 2630, 2240, 2440, 2640	2.0	Tie rod tube	34.28
T25901H	1530, 2030, 2630, 2040, 2440, 2640	2.0	Tie rod tube	16.09
T29106H	2020, 1530, 2030, 2630, 2240	1.5	Tie rod tube	9.28
T29109H	2240, 2630, 2640	2.0	Tie rod tube	27.03
AR27351H	2510, 2520, 3010, 3020, 4000, 4010, 4020, 4320, 4230	2.0	Short inner tie rod-RH thread	16.50
R28021H	Same applications as above	3.0	Large outer tube	34.73
R28022H	Same applications as above	2.0	Small inner tube	29.50
AR51584H	Same as above	3.5	Long outer tie rod	24.25
AR27351H	2510, 2520, 3010, 3020, 4000, 4010, 4020, 4320, 4230 all w/880 wide tread & 4320 w/MFWD	2.0	Short inner tie rod-RH thread	16.50
R28021H	Same as above	3.0	Long outer tube-one end threaded	34.73
R31573H	Same as above	3.0	Extra long tube, inner	38.54
AR51584H	Same as above	3.5	Long outer tie rod-10 holes	24.25
R28114H	3010, 3020, 4000, 4010, 4020, 4320, RH tube All w/fixd tread standard front axle	3.0		68.86
R28115H	3010, 3020, 4000, 4010, 4020, 4320, LH tube All w/fixd tread standard front axle	3.0		86.07
AR27430H	2510, 2520, 3010, 3020, 4000, 4320, 4230-all w/fixd tread std. frt axle	2.5	Short inner tie rod	26.10
AR74131H	5010, 5020 & 6030 RC, std. & fixed axles	2.0	Ball joint inner	47.95
AR74132H	5020, 6030 w/fixd axle	2.0	Ball joint	44.45
R28024H	Wedge blocks on tie rod bolts (4) used	0.5		1.58
R28023H	Clamp	0.5		2.20

HITCH/FRONT END

### Steering Arms



Part #	Application	Wt	Description	Price \$
F3174RH	520, 530, 620, 630, 720, 730	5.0	RH steering arm, 1.50 dia., 6 spline	135.10
F3175RH	Same as above	5.0	LH steering arm, 1.50 dia., 6 spline	135.10
R47765H	2510, 2520, 3010, 3020, 4000, 4010, 4020, 4320	7.0	RH steering arm, 1.50 dia., 6 spline	57.75
R47766H	Same as above	7.0	LH steering arm, 1.50 dia., 6 spline	57.75
R61156H	4030 w/narrow & wide frt., 4230 & 4040 w/reg, narrow, wide, or ni-crop front, 9910, 9920 cotton pickers	7.0	RH steering arm, 1.750 dia., 6 tooth spline, 9.120 total length	103.18
R61157H	Same application as above	7.0	LH steering arm, same description as above	93.62
R61154H	4030 w/reg. wide frt.	7.25		128.10
R61155H	Same as above	7.25		76.13
R61152H	4430, 4240, 4440, 4050, 4250, 4450, 4055, 4455	9.0	RH steering arm, 1.750 dia., 6 spline	71.92
R61153H	Same as above	9.0	LH steering arm, 1.750 dia., 6 spline	71.92
R49849H	4630, 4640, 4650, 4555, 4755, 4560, 4760	11.0	RH steering arm, 2.00 dia., 6 spline	123.18
R49851H	Same as above	11.0	LH steering arm, 2.00 dia., 6 spline	161.74
R66128H	4840, 4850, 4955, 4960	12.0	RH steering arm, 2.00 dia., 6 spline	82.60
R66129H	Same as above	12.0	LH steering arm, 2.00 dia., 6 spline	81.35
R52838H	5020, 6030	12.75	RH steering arm, 2.00 dia., 6 spline	208.95
R52839H	Same as above	12.75	LH steering arm, 2.00 dia., 6 spline	189.95

### Center Steering Arms & Brackets

Weights approx. 13 lbs.



Part #	Application	Description	Price \$
R27808H	2510, 2520, 3010, 3020, 4000, 4010, 4020, 4320	Center steering arm	123.05

### Center Steering Arm

Part #	Application	Weight	Price \$
71787CH	HYDRO 100 & 186, 766-1566, 786-1586,3088-5488	15.0	274.82



# John Deere

## FRONT END

### Front Wheels

Part #	Size	Wt.	Description	Price \$
W816638RG	8 x 16	35	4010,4020 JD-6 " 6 bolt 6" bolt center with 5/8 negative offset	69.95
W1016873RG	10 x 16	41	JD tractors 8 bolt hub replaces #JD3219	120.72

### Deep Drop Wheels For Classic Older Tractors

Part #	Size	Wt.	Description	Price \$
13959Y	10 x 38	74	JD, deep well for JD A, B,G yellow	244.50
13960Y	11 x 38	81	JD, deep well for JD A, B,G yellow	283.50

### Rear Wheels, Double Bevel Rims For Cast Centers

Part #	Size	Wt.	Description	Price \$
11124Y	16 x 34	105	Double bevel rim for cast center yellow for JD	249.95
1174Y	14 x 38	105	Double bevel rim for cast center yellow for JD	224.95
1175Y	16 x 38	119	Double bevel rim for cast center yellow for JD	291.67
1176Y	18 x 38	129	Double bevel rim for cast center yellow for JD	317.80

other sizes available on request

### Front Wheel Bearing AG Kits



Part #	Application	Price \$
FW155S	1020, 1520, 1530, 2010, 2020, 2030, 2630, 2640	18.83
FW151S	JD 3010, 3020, 60-50 late	65.15
FW163S	JD 2030, 2840, 4030, 4230, 4430	34.90
FW162S	JD 4040, 4240, 4440, 4450, 4050	45.95
FW157S	JD4020, 4000, 4010, 3010, 3020, 4320, 4040	42.56
FW159S	JD 4520, 4620, 4630, 4640, 4840, 5020, 6030	72.76



## HITCH

### Complete Vertical Lift Link Assemblies

*Adjustable Assembly* Weight 17 lbs.

Part #	Application	Wt.	Price \$
AR44551H	820, 1020, 1520, 2020, 830-2630, 2040-2940, 2350-2750	17 lbs.	200.95
AR44552H	820, 1020, 1520, 2020, 830-2630, 2040-2940, 2350-2750	17 lbs.	189.95

\*Note: Used w/telescoping 3 pt. pull arms.

*Non-Adjustable Assembly* Weight 12 lbs.

Part #	Application	Wt.	Price \$
AR44554H	820, 1020, 1520, 2020, 830-2630, 2040-2940, 2350-2950, 3150, 2155-3255	12 lbs.	96.95
AR44556H	820, 1020, 1520, 2020, 830-2630, 2040-2940, 2350-2950, 3150, 2155-3255	12 lbs.	96.95

\*Note: Used w/non telescoping 3 pt. pull arms.

## HITCH

### Sway Blocks



Part #	Wt.	Application	Description	Price \$
R39512H	15.0	2510, 2520, 3020, 4000, 4020, 4030, 4040, 4050, 4230, 4320, 4430, 4240 & 4250	Right Hand	73.75
R39513H	15.0	same as above	Left Hand	69.56
R27710H	12.0	3010	Right Hand	65.14
R27711H	12.0	3010	Left Hand	65.14
AR31560H	12.0	4010	Right Hand	79.78
AR31561H	12.0	4010	Left Hand	52.90
T30276H	10.0	820, 830, 1020 thru 2030, 1530 thru 2630, 2040 thru 2640, 2150 thru 2755	Right Hand	58.95
R54472H	13.0	2840, 2940, 2950, 2955, 3055, 3255	Right Hand	88.95
R54473H	13.0	same as above	Left Hand	74.06
T30277H	10.0	same as above	Left Hand	43.75
R48815H	27.0	4630, 4520, 4620, 5020, 7020, 6030	Right Hand	130.43
R104901H	20.0	4440, 4450, 4455	Right Hand	96.46
R104902H	20.0	4440, 4450, 4455	Left Hand	96.46
R64707H	18.0	4640, 4840	Left Hand	107.68
R64706H	18.0	4650, 4850, 4555, 4955	Right Hand	107.68
R48816H	27.0	same as above	Left Hand	130.43
R21718RH	8.0	520, 530, 620, 630, 720, 730 NEW LOWER PRICE	Left Hand	70.46
R21717RH	8.0	520, 530, 620, 630, 720, 730 NEW LOWER PRICE	Right Hand	70.46

### Drawbars



Part #	Application	Dimensions/Info.	Wt.	Price \$
T29898H	820, 2150, 2155, 2255, 2355N	36.750 long, 2.00 wide, 1.250 high	27 lbs.	129.95
L29020H	820, 1020-2020, 830, 1530, 2030, 2630, 2040-2640, 2355-2855, 2030, 2630, 2040-2640, 2355-2855	2.250 offset, 36.6250 long, 2.50 wide, 1.250 high	34 lbs.	139.28
R61126H	same as above	36.75" long, 2.50 wide, 1.250 high	34 lbs.	135.86
T28014H	2840, 2940, 2950, 2955, 3150	2.125 offset, 40.8750 long, 2.50 wide, 1.3750 high	38 lbs.	137.65
L61510H	2955 † 632322, 3055-3255	2.5 offset, 49.250 long, 2.50 side, 1.370 high	38 lbs.	117.67
R27692H	2510 & 2520 row crop, 3010	1.87 offset, 45.00 long, 2.00 wide, 1.250 high	31 lbs.	228.95
RE20663H	4000, 4020, 4320, 4230, 4430	2.0 offset, 45.00 long, 2.50 wide, 1.3750 high	55 lbs.	180.12
R80842H	same as above w/o hammer strap holes	same as above	48 lbs.	215.30
R80842SPLH	same as above	45.00 long, 2.50 wide, 1.375	42 lbs.	191.25
R61184H	4240, 4440, 4050, 4250, 4450	2.0 offset, 45.6250 long, 3.00 wide, 1.50 high	56 lbs.	219.71
R36608H	4520-5020, 4630, 6030	2.25 offset, 63.250 long, 3.00 wide, 1.50 high	85.0 lbs.	399.95
R50984H	4520-5020, 8430, 8630, 4630	1.87 offset, 63.250 long, 300 wide, 1.750 high	95.0 lbs.	410.36
R62081H	4840, 4850, 4555, 4755, 4955, 4560, 4760, 4960	1.75 offset, 63.375" long, 3.00 wide, 1.750 high	98.0 lbs.	374.95

HITCH/FRONT END

# John Deere

## HITCH

### Drawbar Support for 4000, 4020, 4040, 4230, 4320, 4430

Use w/RE20663 & R80843H Drawbars  
Weight is 26 lbs.



Part #	Price \$
AR33911H	273.75

## Top Links

### JD CATEGORY II 2 CYLINDER TOP LINK



Part #	Fits	Wt.	Description	Price \$
JDTL2C	520 thru 730	23	Top Link Assembly	218.50

### JD CATEGORY II TOP LINK



Part #	Fits	Wt.	Description	Price \$
AR34208H	2510, 2520, 4030, 4230, 4430, 4020, 4010, others	23	Top Link Assembly	218.50
R51616H	2510, 2520, 4030, 4230, 4430, 4020, 4010, others	9	Hook end	110.25
R51643H	2510, 2520, 4030, 4230, 4430, 4020, 4010, others	6	Swivel end	66.50
AL18135H	2350, 2550, 2355, 2555, 2755 and others	18	Top Link Assembly	

### JD CATEGORY III TOP LINK



Part #	Fits	Wt.	Price \$
AR58216H	4630, 4640, 4650, 4840, 4850, 8430, 8440, 8450, 8630, 8640, 8650	26 lbs.	284.95

## Top Link Bracket



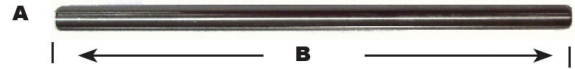
Part #	Fits	Price \$
T21685H	820, 830, 1020, 1520, 2840, 1530, 2020, 2030, 2640	80.25

## Top Link Pin



Part #	Fits	Price \$
AR67880H	2510, 2520, 4030, 4230. Includes Bushing.	21.70
AR89302H	4040, 4050, 4055-4455, 4520, 4555-4955, 4620, 4630, 5010, 5020, 6030, 7020, 7520, 8430, 8630	3.50

## JD Load Shafts



Part #	Dimensions		Application	Price \$
	A	B		
R33883H	1.00	20-5/16	Notched 2510, 2520, 3010, 3020, 4030	59.95
R33826H	1.255	21-5/8	4010, 4000 & 4020 to 250000	59.95
R46513H	1.255	21-3/16	4000 & 4020 above 250000, 4320, 4230, 4430, 4040, 4240, 4440, 4455	59.95
R71375H	1.186	24-1/4	4050, 4250, 4450, 4055-4455	59.95

## Leak Resistant Load Shaft Bushing

the JD 20 series was the most popular series tractor ever built. As popular as it was, it has a chronic problem with leaks at the loadshaft. The problem is solved very simply and inexpensively by installing an o-ring into the load-shaft bushing itself.



Part Number	Application	Wt.	Price \$
LSB3020	2510, 2520, 3010, 3020, 4030	0.5 lb.	12.95
LSB4020	4010, 4000 & 4020 to 250000, 5010, 5020	0.5 lb.	12.95
AR54481H	4000 & 4020 above 250001, 4230, 4430, 4040, 4240, 4440, 4455	0.5 lb.	44.00

## Hitch

### John Deere M



Part #	Application	Description	Price \$
M	M	Includes 3rd link bracket	253.75
60	A, B, G, 50, 60, 70	Includes 3rd link bracket	500.00
630	520, 530, 620, 630, 720, 730	Includes 3rd link bracket	377.19

## Hitch Pieces



For Models 520, 530, 620, 630, 720, & 730

Part #	Description	Price \$
F2676H	Handle	16.35
AF2706H	Right hand lift rod	65.95
AF2707H	Left hand lift rod	65.95
F2670RH	Yoke for upright	95.95

# Massey Ferguson

## FRONT END

### Complete Tie Rod Assemblies



Part #	Application	Wt	Description	Price \$
553321H	MF50 SN ↓ 528163, 65 gas SN ↓ 671680 & DSL ↓ 667918, MH50, 765SN ↑ 526080	7.0	RH long tie rod 14.656 x .737, RH center tube 18.375, RH inner tie rod 6.0	95.34
186145MH	MF50 SN 528163-533422, 150, 32 & 99 loaders, MF 65 gas SN 671680-692932 & DSL 667918-692932	8.0	Complete Right hand tie rod assbly, RH outer tie rod tube, inner tie rod	105.14
186146MH	Same application as above	5.5	Complete left hand tie rod assembly	87.36
553322H	MF65HD & 765HD SN ↑ 526081, 175 & 178, HD SN ↑ 724936	6.0	12.75 RH outer tie rod, 21.125 center tube, 3.75 drag link end	76.13
553325H	165, 168, 175, 185, 188, 255, 265, 275, 285, 290	6.5	Complete left hand tie rod assembly 4.8120 LH outer tie rod, 13.625 LH inner tie rod tube, 15.00 LH outer tie rod	98.50
553326H	Same application as above	6.0	20.125 RH inner tie rod tube, 15.00 RH outer tie rod	56.65
553320H	180, 185, 1080, 1085 RH/LH	8.5	15.4870 long tie rod, 16.56 tube, 3.8750 short tie rod	94.25
553330H	1100, 1130, 1150, 1105, 1135, 1155 RH/LH	8.75	16.3120 outer tie rod, 16.750 tie rod tube, 4.00 inner tie rod	119.95

### Tie Rods for Row Crop Tractors

Part #	Application	Wt	Description	Price \$
1028265MH	180, 185, 1080, 1085	4.75	Long tie rod-7 notches on top	38.05
1028266MH	Same as above	2.5	Tube w/clamp-female thread	26.95
1028268MH	Same as above	1.75	Short tie rod-RH thread	22.95
1026382MH	1100, 1130, 1150, 1105, 1135, 1155	4.0	Outer tie rod RH or LH	27.75
1026380MH	Same as above	2.5	Tie rod tube w/clamp RH	35.24
1026383MH	Same as above	1.75	Inner tie rod RH/LH thread	23.45
1048272MH	233, 245	7.5	LH inner tie rod-7 notches on	53.36
1048271MH	233, 245	5.0	Tie rod tube	69.02
1048273MH	233, 245	1.75	Short outer RH side RH threads	19.95
1044294MH	245 w/Heavy Duty front, 285	2.0	RH outer tie rod	21.82
1044296MH	Same as above	3.0	Tie rod tube	43.43
1044295MH	Same as above	4.0	RH inner tie rod, 7 side grooves	33.06
1044297MH	245 w/Heavy Duty front, 285	4.0	LH tie rod tube w/ball joint	39.95
1044298MH	Same as above	2.75	LH tie rod-7 side grooves	29.95
1028095MH	1100, 1130, 1150, 1105, 1135, 1155-non adj fronts (not pictured)	4.5	Outer tie rod LH or RH	38.21
1026383MH	Same as above	1.75	Inner tie rod-RH thread	23.45
3040676MH	2675, 2705, w/std duty axle both w/SN ↓ 7193 (not pictured)	8.75	LH outer tie rod-7 vertical holes	78.55
3045062MH	Same application as above	3.0	RH outer tie rod, RH thread	33.93
1626710MH	(2675, 2705 w.hvy duty axle) 2745, 2775, 2805	3.5	LH inner tie rod	41.95
3038564MH	Same application as above (not pictured)	5.5	Outer tie rod LH/RH	63.66
3045308MH	Same application as above (not pictured)	6.75	RH inner tie rod	97.95



### Utility Tie Rods

Part #	Application	Wt	Description	Price \$
180381MH	TO20, 30, 35, early 135	1.0	Drag link end	14.29
180391MH	Same as above	1.5	Drag link end-LH thread	12.38
186235MH	MF50 ↓ 528163-65 gas SN ↓ 671680 & DSL ↓ 667918 & MH50	2.75	RH long tie rod	23.27
182517MH	Same application as above	2.0	RH center tube	29.95
182519MH	Same as above & 765 SN ↑ 526080	2.5	RH inner-RH thread	36.18
186236MH	MF50 SN ↓ 528163-65 gas SN ↓ 671680 & DSL Ser # ↓ 667918, MH50, F40, MF65	2.75	LH long tie rod-7 holes	24.30
182510MH	Same as above	2.75	LH tie rod tube	40.95
192865MH	50, 65, 165, 150 all LH only	4.0	7 notches on top	45.65
192863MH	50 SN ↑ 533423-65 SN ↑ 692932 165LP row crop, 150 std & row crop	3.0	RH side tie rod	89.52
192862MH	Same as above	2.75	RH tie rod tube	56.95
192866MH	50 SN ↑ 533423, 65 SN ↑ 692932, 165, 150	3.75	LH tie rod	49.84
192864MH	Same as above—not pictured	3.75	LH tie rod tube	54.79
186066MH	MF50 SN 528163-533422, MF65 gas SN 671680-692932 & DSL SN 667918-692932, 150, 32 & 99 1 drs	2.75	RH outer tie rod	30.95
186065MH	MF50 SN ↓ 533422, 65 gas 671680-692932 MF65DSL 667918-692982, 150	2.5	Tie rod tube w/clamp	49.95
186077MH	MF50 gas SN 528163-533422 & (DSL 667918-692932) MF65 SN 671680-692932, 99 & 32 1 dr.	2.75	Tie rod RH threads	38.36
186063MH	65HD (765 HD SN ↑ 526081, 150, MF50 SN 528165-533422) MF65 gas SN 671680-692932 & DSL667980-692932	2.5	LH outer tie rod	34.93
186061MH	765 SN ↑ 526086, 150, MF 50 SN 528165-533422, MF65 gas SN 671680-642932 & DS1667980-692932	3.0	LH inner tie rod	40.95
880010MH	MF65HD & 765HD SN ↑ 526081, 175 & 178 HD SN ↑ 724936	2.5	RH outer tie rod	32.63
894124MH	MF65HD	2.5	RH center tube	26.83
182534MH	150, 165, 175, 20	1.5	Drag link end	16.95
881736MH	165, 255, 265, 270, 275, 283, 285, 290, 565, 575, 590, 670, 675, 690	2.75	LH/RH tie rod	21.95
886801MH	Same application as above	2.5	Center Tube	28.42
886802MH	165, 168, (175 SN ↑ 724933) 185, 188, 255, 265, 270, 275, 282, 283, 290, 565, 575, 590, 675, 690	1.5	RH inner tie rod-RH thread	19.95
1028098MH	165, 168, 175, 185, 188, 255, 265, 275, 285, 290	1.75	LH outer tie rod-female	37.84
1028099MH	Same application as above	1.5	LH inner tie rod tube	28.95
1028262MH	Same application as above	3.0	LH outer tie rod-7 notches	21.75
1028264MH	165, 168, 175, 185, 188, 255, 265, 275, 285, 290	3.5	RH Inner tie rod tube	27.35
1028262MH	Same as above	3.0	RH outer tie rod-7 notches	21.75
1860412MH	135, 148, 230, 240, 250, 550	1.5	RH front drag link	22.54
1860408MH	135 SN ↑ 140128, 148 w/man. stg., 230, 240, 250, 550	1.5	LH front drag link	27.58

HITCH/FRONT END

# Massey Ferguson

## FRONT END

### Spindles



Part #	Application	Weights	Description	Price \$
182559MH	MF40, MF65, MF50 Lo-clear	15.0	RH	99.98
182560MH	Same as above	15.0	LH	96.46
508571MH	165, 175, 255, 265, 275 std. clearance	15.0	LH/RH	
508572MH	165, 175, 180, 255, 265, 275 all row crops, 180 fixed tread western 1085 adj. row crop SN↓ 9B49496	16.0	LH/RH	106.52
532480MH	165, 175, 180, 185, 1080, 255, 265, 275, 285	15.0	LH/RH	179.60
553311	165, 175, 180, 185, 1080, 255, 265, 275, 285 Hvy duty hi-clear.	19.0	LH/RH	184.95
553312	Same as above but Hvy duty standard clearance	19.0	LH/RH	191.53

### Front Hubs

Part #	# Bolts	Application	Wt.	Price \$
519278MH	6	135, 165, 175, 180, 230, 235, 245, 255, 265, 1080, 1085 Uses Lug Bolts	15.0 lbs.	71.98
532781MH	6	255, 265, 275, 285, 1085	15.0 lbs.	131.81



### MF, Ford Steering Sectors

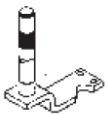
Part #	# of Bolts	Application	Wt.	Price \$
1752891MH	RH	8 tooth 35, 135, 20	9 lbs.	148.95
1752890MH	LH	10 tooth Same as above	9 lbs.	193.16

### Steering Arms



Part #	Application	Weights	Description	Price \$
180350MH	35	2.5	Steering arm	46.95
898342MH	165, 255, 270, 670, 690, 282, 283, 290, 392S	5.25	RH steering arm	47.60
898343MH	Same application as above	5.25	LH steering arm	39.69
1850021MH	FE35, FE135 coventry, 135	3.25	RH steering arm	
1850022MH	Same as above	3.0	LH steering arm	30.60
1853138MH	165, 282	5.0	Steering arm	
1676664MH	165, 168, 175, 178, 185, 188, 265, 275, 285, 290, all w/std & HD frt.	9.0	Crank arm	
898354MH	165, 168, 175, 178, 185, 188, 265, 275, 285, 290, 392S	4.5	Steering arm	45.17
898355MH	165, 168, 175, 178, 185, 188, 265, 275, 285, 290, 565, 575, 675, 690, 270, 670, 282, 283	6.5	Steering arm	88.95
1671335MH	165, 168, 175, 178, 185, 188, 265, 275, 285, 290, all w/power steering, 282	4.75	Steering arm	64.95
1676664MH	565, 575, 590, 675, 690, 270, 283, 392S, 50E, 50H, 670, 282	9.0	Crank arm	

### Center Steering Arms & Brackets



Part #	Application	Weights	Description	Price \$
532219MH	135, 150, 230, 235, 245	17.5	Center steering arm, 43 splines, 9.218" long shaft, 1.873 shaft dia.	181.25
523112MH	165, 175, 3165	18.5	Center steering arm, 43 splines, 11.187" long shaft, 1.686 & 1.873 shaft dia.	211.74

## HITCHES

### Drawbars For Massey Ferguson



Part #	Application	Wt.	Description	Price \$
531468MH	T035, MF35, 50, 65, 130, 135, 150, 165, 235, 245, 255, 265, 275	43 lbs.	35.75" long, 2.0" wide, 1.25" high	101.38
516975MH	245, 285, 1080, 1085	43 lbs.	1.25" offset, 39.25" long, 2.5" wide, 1.25" high	215.33

### Complete Right Hand Leveling Box Assemblies



Part #	Application	Wt.	Description	Price \$
1660373MH	135, 150, 203, 205, 230, 245, 2200	9.0 lbs.	Right hand leveling box assembly	80.95
1884760MH	165, 175, 180, 203, 205, 240, 245, 250, 255, 302, 304, 3165	13.0 lbs.	Adjustment is 20.5"-26.5" center to center	100.95
1863053MH	175, 185, 265, 275, 375 HD	17.0 lbs.	Adjustment is 24.0"-32.0" center to center	374.95



# Oliver - M-M - White

## FRONT END Spindles



Part #	Ref.	Application	Dimension				Wt	Description	Price \$
			A	B	C	D			
11B23156H	B	670, G1000	13.875	1.375	1.5	1.375	16.0	LH/RH	265.90
161340AH	D	177, 770, 88, 880, 1550, 1555, (1600, 1655 SN↑ 147569 1750 SN 180537-201090, 1850 SN 150421-169758	16.25	1.5	1.625	1.25	16.0	LH/RH	210.69
161959AH	D	1650, 1750, 1850, 1950, 1950T, 1655, 1755, 1855, 1955, 2-70, 2-78, 2-85, 2-88, 2-105, 2-110	16.25	1.747	1.75	1.375	22.0	LH/RH	166.95
72160101H	B	160, 170, 185, 195, 2255, 2-135, 2-150, 2-155, 2-180, MMG900, G950, G1050, 1865, all hvy duty G955, 1870, G1350, G2155, G1355, 2270, Deutz 9130, 9150, 9170, 9190	12.5	2.25	2.0	1.5	36.0	LH/RH	373.95

## Front Hubs



Part #	# Bolts	Application	Wt.	Price \$
155192AH	6	77, 770, 1550, 1555, 1650, 1655, 1750, 1755, 1800, 1850, 1855, 2-62, 2-78 IND	20.0 lbs.	133.95
30-3363651H	6	1650, 1655, 1750, 1755, 1850, 1855, 1950, 1950T, 1955, 2-70, 2-85, 2-105	19.5 lbs.	85.91

## Front Wheel Bearing AG Kits



Oliver

Part #	Application	Price \$
FW132	Oliver 1950, 1850, 1650, 1655, 1600, 55, 550 late	17.37
835964MH	T020, T030, T035, MF35, FE35, MF65, S&D, MF40, 50	29.95
835965MH	MF135, 235, 150, 165, 175, 180, 245, 255, 265, 275, 1080	22.82
FW85	MF85, 90, Super 90	50.76
839100MH	MF1100, 1130, 1105, 1135, 1150	42.57

## Complete White Tie Rod Assemblies



Part #	Application	Weights	Description	Price \$
164210ASH	1555, 1600, 1655, 1750, 1755, 1800, 1855, 1955, 2-70, 2-85 SN 263341-271719, 2-105, SN 255216-2719139.5	9.5	3.6870 short tie rod, 18.6250 tie rod tube, 18.75 long tie rod	69.92
303202712H	2-85 SN 271720-284964, 2-105 SN 271914-285182	9.5	3.750 short tie rod, 18.62 tube, 18.750 long tie rod	97.51
303442837H	2-85 SN ↑ 284965, 2-88, 2-105 SN ↑ 285183, 2-110, W100	9.5	3.75 short tie rod, 18.00 long tube, 16.750 long tie rod	102.10
72161861H	100, 120 (workhorse 125 & 145) 2-135, 2-155, Deutz 9130, 9150	9.0	3.75 short tie rod, 18.00 tube, 15.750 long tie rod	122.05
72161862H	2-180, 170, 195, W-160, W185, Deutz 9170, 9190	8.5	4.75 short tie rod, 15.25 tube, 14.00 long tie rod	103.31



## Tie Rods for White/Oliver and Some Deutz



Part #	Application	Wt	Description	Price \$
251001398H	1555, 1600, 1655, 1750, 1800, 1850, 1855, 1955, 2-70 2-85 SN 26334- 271719) 2-105, SN 255216-271913	1.75	Short tie rod RH thread	21.95
164367AH	Same as above	2.75	Tie rod tube	22.69
164365AH	Same as above	4.5	Long tie rod- 15 notches	31.50
303443124H	2-85 sn 271720-284964 2-105 sn 271914-285182	2.0	short tiered RH thread	24.77
164367AH	Same as above	2.75	Tie rod tube	22.69
303211029H	Same as above	4.5	Long tie rod	49.95
303443124H	2-85 SN↑ 284965, 2-88, 2-110, w100 2-105 SN ↑ 285 183	2.0		24.77
72162854H	Same as above	3.0	Tube with clamp	36.67
303443132H	Same as above	4.5	Long tie rod	31.29
303443124H	100, 120, 2-135, 2-155, workhorse 125 & 145, Deutz 9130, 9150	2.0	Short tie rod- RH thread	24.77
72162854H	Same as above	3.0	tie rod tube w/clamp	36.67
72161866H	Same as above	4.0	Long tie rod	40.20
72161867H	2-180, 170, 195, w160, w185, Deutz 9170, 9190	2.0	Short tie rod	35.24
72162105H	Same as above	2.5	tie rod tube	34.95
72161868H	Same as above	3.75	Long tie rod	41.11
303443124H	955, 1355, 2-150	2.0	Short tie rod, RH thread	24.77
303109321H	Same as above	3.0	Tie rod tube	37.85
303109313H	Same as above	4.5	Long tie rod	59.86
72161733H	Used on all applications above	0.5	Jam nut for short tie rod	5.29
164369AH	All applications above except 100, 120, workhorse 125 & 145, 2-135, 2-155, 2-180, 170, 195, w160, w185, Deutz 9130, 9150, 9170, 9190	0.5	Tie rod clamp	5.11

# Oliver - M-M - White

## FRONT END

### Center Steering Arms & Brackets



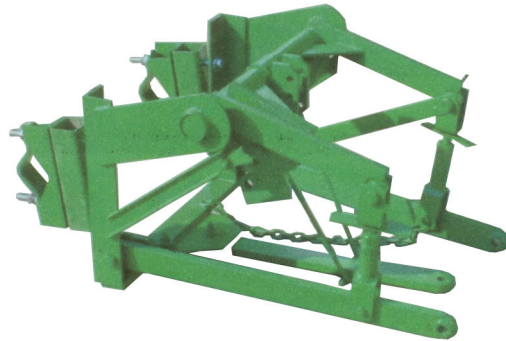
Part #	Manu.	Application	Wt	Description	Price \$
161424AH	Oliver	1550, 1600, 1650, 1750, 1755, 1800, 1850, 1855, 1950, 19501, 1955 & 1555 w/ 10 spline shaft	7.0	Center steering arm, 10 spline hole, tie rod holes are .74" dia. @ top & .64" dia. @ bottom	255.45
161424SPL	Oliver	Same application as above, but for use where space is very close above the steering cylinder	7.0	Same steering arm as above except the tapered tie rod holes are drilled from the opposite direction, tie rod holes are .640" dia @ top & .740" dia. @ bottom	204.95
303089991H	Oliver	1655, 1755, 1855, 2255, 2-70, 2-85, 2-105, 1555 & 1955 w/6 spline shaft	7.0	Center steering arm, 6 spline center hole	154.20
303117561H	White	2-105, 2-135, 2-155, Late 2-85	7.0	Center steering arm, 6 spline hole	256.95
303309126H	White/MM	GT2105 & GT285 both SN† 297447 GT2110, GT288, GTW 100, GTW 120, GTW 140 GT 125, GT 145	6.0	Center steering arm	202.42
303117057H	White	2-105, 2-70, 2-85, all for wheatland axle w/PS	5.0	Center steering arm	326.40
303202755H	White	2-85, 2-105, both for wheatland axle w/PS	5.0	Center steering arm	265.93
303106772H	White	1555, 1600, 1655, 1750, 1755, 1850, 1855 all for wheatland axles	5.25	Center steering arm	237.95
166446AH	White	1555, 1655, 1750, 1755, 1850, 1855, 1955, all for set back axles	14.5	Center steering arm, has .75" center bolt	
303045692H	White	1555, 1655, 1750, 1755, 1850, 1855, 1955, all for set back frt. axles	15.5	Center steering arm	221.13
160289AH	White	1555, 1655, 1750, 1850, 1955, all for set back axles	12.5	Center steering arm, has .625" center bolt	235.95
303110311H	Oliver	Early models: 1550, 1555, 1600, 1650, 1655, 1750, 1755, 1800, 1850, 1855	4.0	Splined steering shaft, 9.16" long, 10 spline	122.95
72160341H	Oliver/White	Late models: 1555, 1655, 1755, 1855, 1955, 2255, 2-70, 2-85, 2-88, 2-105, 2-110, 2-135, 2-155	4.0	Pitman (steering) shaft 10.062" long 6 tapered splines	179.22
303045684H	Oliver/White	16, 2105, 270, 285, 62, 78, 1555, 1655, 1755, 1855, 195, 7817, 7815, 6215	4.0	Steering shaft	99.15

## HITCH

### Oliver 66, 660, 77, 770, 88, 880

Part #	Description	Price \$
OL66660	66, 660 without drawbar	609.00
OL66WD	66, 660 with drawbar	659.75
OL77	77, 770, 88, 880 without drawbar	659.75
OL77WD	77, 770, 88, 880 with drawbar	710.50

\*All hitches must go truck freight - call for a quote.



## Q Series Hubs



## Replacement Hubs



Part #	Capacity	# of Bolts	Max Speed	Hub Pilot	Spindle Diameter	Wt	Price \$
Q633	1500 lb	4	20 mph	3.625"	1.625"	10 lbs	44.25
Q709	2760 lb	6	20 mph	4.625"	1.75"	20 lbs	58.05
Q719	2760 lb	5	20 mph	4"	1.75"	15 lbs	68.15
Q736	1650 lb	5	20 mph	4"	1.625"	15 lbs	53.25
Q777	3560 lb	6	20 mph	4.62"	1.75"	20 lbs	109.10
Q778	4910 lb	8	20 mph	6.0"	2.125"	25 lbs	124.15
Q783	4570 lb	6	20 mph	4.625"	2"	20 lbs	75.55
Q803	4910 lb	6	20 mph	4.625"	2"	20 lbs	90.85
Q821	5790 lb	8	20 mph	6"	2.75"	25 lbs	145.45
Q888	3560 lb	6	20 mph	4.625"	1.75"	20 lbs	55.25

Fits Most Implements!  
Hog carts, field cultivators, chisel plows, etc.

Part #	Capacity	# Bolts	Max Spd.	Hub Pilot	Spindle Dia.	Wt.	Price \$
HUB4400	1550 lb	4	20 mph	2 19/32"	1.62	10 lbs	68.95
HUB5400	1750 lb	5	20 mph	2 19/32"	1.75	10 lbs	63.43
HUB5600	2500 lb	5	20 mph	4"	1.75	11 lbs	79.49
HUB6600	3560 lb	6	20 mph	4 5/8"	1.75	12 lbs	
HUB6700	3500 lb	6	20 mph	4 5/8"	2.00	12 lbs	101.18
HUB8800	6000 lb	8	20 mph	6.0"	2.25	30 lbs	128.07

# Universal

## FRONT END

### Step Up Wheels



Avg. wt 125 lbs  
-  
Truck Freight Applies

Part #	Size	Color	Price \$
1766SM	34" - 38"	Silver	363.00
1766Y	34" - 38"	Yellow	363.00
1770SM	38" - 42"	Silver	383.00
1770Y	38" - 42"	Yellow	383.00

### Bead Cheata

- Applies 5 tons of pressure
- Easy to use and comes fully functional
- Compact enough to fit in a toolbox
- Great for tractor and implement tires



Part #	Price \$
05500	194.95

### Front Wheels

Part #	Size	Wt.	Description	Price \$
W6156	6 x 15	23	Universal 6 BOLT	43.14
W8156	8 x 15	29	Universal-8 BOLT	

### Rear Wheels, Loop And Power Adjust



\*other sizes available on request

Part #	Size	Wt.	Description	Price \$
RR84774	10 x 28	108	4 Rail power adjust AC, Case, Massey, Ford	387.95
RR84705	12 x 28	139	4 Rail power adjust AC, Case, Massey, Ford	380.95
RC10244	10 x 24	37	4 Loop 10x24 Smaller, IH, AC etc.	108.95

## HITCH

### Quick Hitch



Part #	Application	Wt.	Price \$
QH101	Category 1 w/adaptor bushings	76 lbs.	179.95
QH102	Category 2 w/adaptor bushings	134 lbs.	346.50
QH103	Category 3 w/adaptor bushings	182 lbs.	425.00

## HITCH

### Hitch Pins Weigh approx. 5 lbs.

- Attractive and durable design.
- Includes clip.
- **Made in the USA!**

Designed for today's heavy equipment. These pins are made of high tensile steel, heat treated. Welded, red plastic coated head and handle.



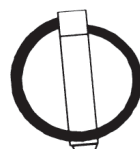
Part #	Size	Useable Length	Price \$
00113	1/2"	3 5/8"	3.20
00223	5/8"	4"	3.45
00123	5/8"	5 1/2"	3.65
00233	3/4"	4"	3.70
00133	3/4"	6 1/2"	4.10
00143	7/8"	6 1/2"	5.20
00153	1"	7 1/2"	6.99
00163	1 1/8"	8 1/2"	9.35
00173	1 1/4"	8 1/2"	11.60
00183	1 1/2"	8 1/2"	17.70

### Lock Eze Hitch Pins



Part #	Size	Length	Weight	Price \$
80160	3/4	6	2.58	19.95
80170	7/8	6	2.90	21.15
80180	1	6	3.40	23.75
80190	1-1/8	7	4.62	27.25
80200	1-1/4	7	5.20	29.65
80210	1-1/2	8	7.40	33.95

### Spring Pins



- Carbon Steel
- Zinc Plated

Part #	Pin Diameter	Category	Weight	Wt.	Price \$
21940	7/16	1/2	.26	.10 lb.	0.45
21960	7/16	1/2/3 HD	.69	.10 lb.	1.10

### Third Links



Part #	Cat.	Pin Size	Thread	Wt.	Price \$
22510	1	3/4	1 1/8	8 lbs.	17.25
00381	1 HD	3/4	1 1/8	10 lbs.	19.95
22520	2 Stand.	1	1 1/8	13 lbs.	21.95
03474	2 HD	1	1 1/4	15.5 lbs.	62.50
22530	3 HD	1 1/4	1 3/8	19 lbs.	91.95

### Draw Bars



Part #	Size	Arm Spacing	Pin	Width	Wt.	Price \$
22711	26"	CAT 1	7/8	2 1/2	15 lbs.	21.55
22724	26"	CAT 2	1 1/8	3	21 lbs.	
22732	32"	CAT 2	1 1/8	3	31 lbs.	46.75

### Bushing Kits

- Zinc Plated
- Mach rod from D.O.M. Tubing

Part #	Cat	Wt.	Price \$
21180	1 to 2	1 lb.	2.60
21182	2 to 3	1 lb.	3.15



### Arm Pins Weight is approx. 2 lbs.

High Carbon Steel. Zinc Plated for long life. Forged for extra strength!



Part #	Category	Pin Diameter	Thread Diameter	Overall	Price \$
21222	1	7/8	7/8	5 1/2	2.30
21232	1 to 2	1 1/8	7/8	5 1/4	3.65
21235	1 to 2	7/8 and 1 1/8	1	8	8.90
21242	2	1 1/8	1 1/8	6 1/4	4.50
21244	2 to 3	1 7/16	1 1/8	5 7/8	10.10
21280	3	1 7/16	1 3/8	5 7/8	10.65